

Figure 9: EPC9511 - ZVS class-D amplifier schematic

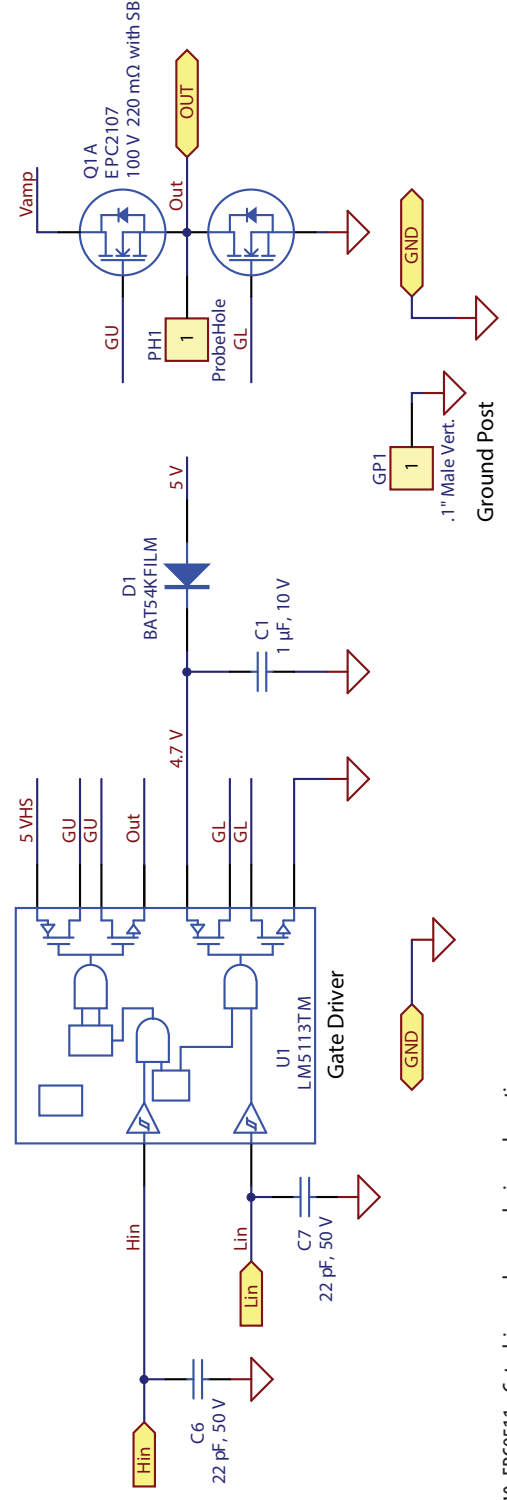
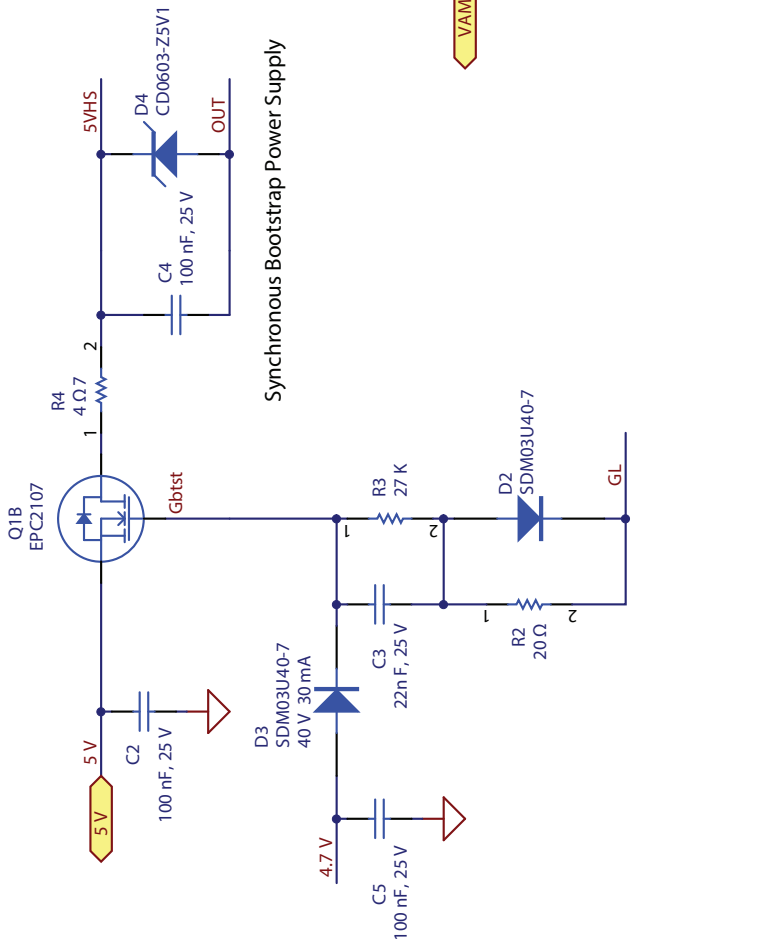


Figure 10: EPC9511 - Gate driver and power devices schematic

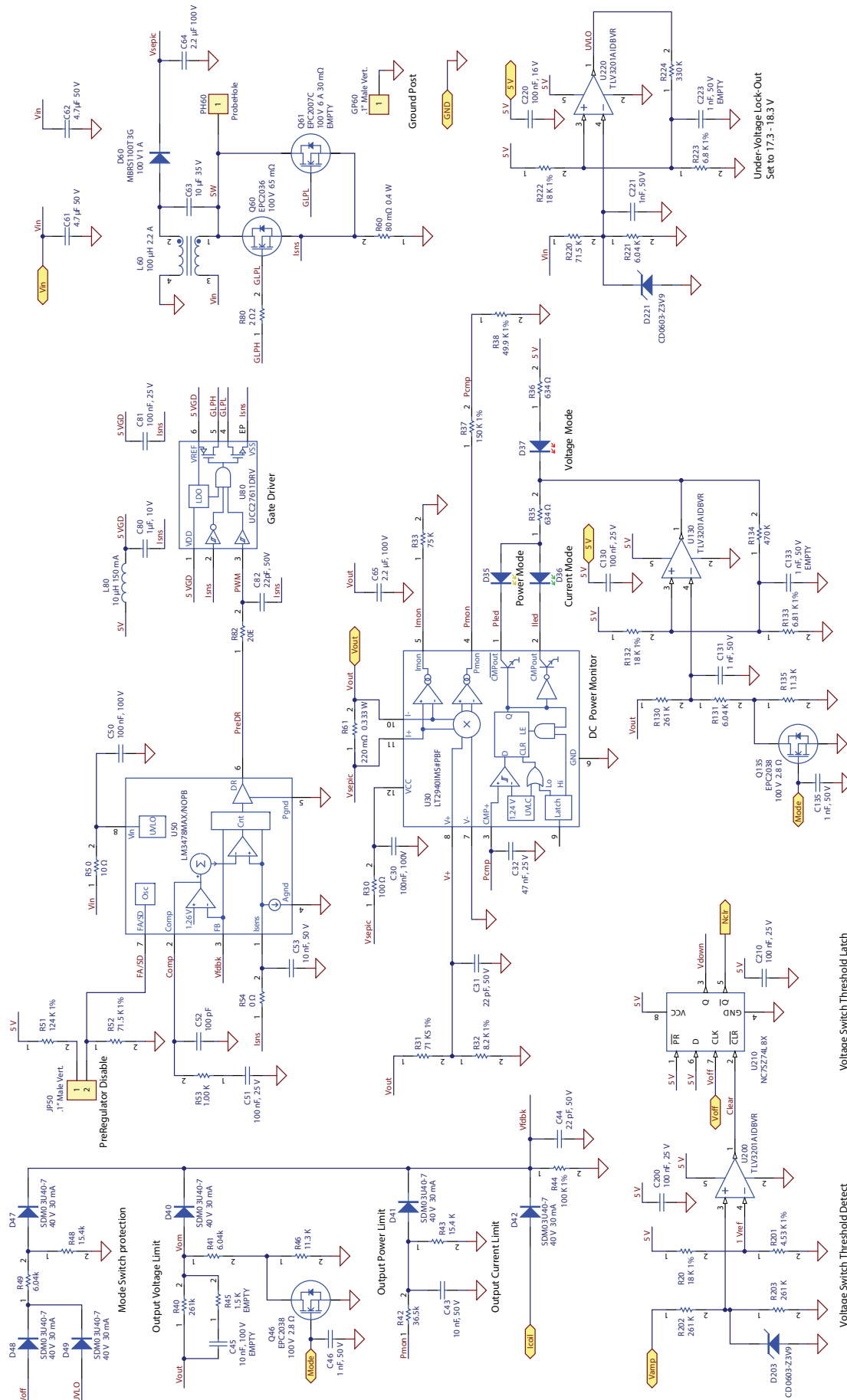


Figure 11: EPC9511 - Pre-regulator schematic