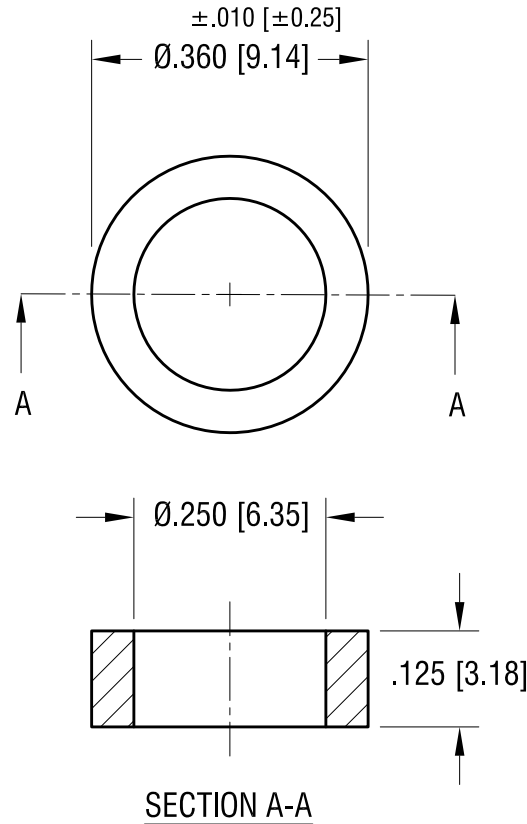


THIS DOCUMENT IS THE PROPERTY OF  
KEYSTONE ELECTRONICS CORP. AND  
SHALL NOT BE REPRODUCED, DISTRIBUTED  
OR USED AS A BASIS FOR MANUFACTURE  
WITHOUT PRIOR WRITTEN PERMISSION  
FROM KEYSTONE ELECTRONICS CORP.

ACTUAL SIZE



6.15.21	CHANGE AS PER ECN 21-054	B
2.19.97	CHANGE AS PER ECR 97-009	A
DATE	DESCRIPTION	REV.

<b>KEYSTONE ELECTRONICS CORP.</b>			
www.keyelco.com • NEW HYDE PARK, NY 11040 • Tel (516) 328-7500			
PART NAME		LED SPACER	
MATERIAL		NYLON 6/6	
FINISH	NONE	DRN BY	BOONE
		APP'D	RH
		DATE	4.28.88
		SCALE	4X
TOLERANCES	INCH [MM]	CODE	DWG NO.
DECIMAL	$\pm .005$ [ $\pm 0.13$ ]	C	<b>8692</b>
ANGULAR	$\pm 1^\circ$		
UNLESS OTHERWISE SPECIFIED			