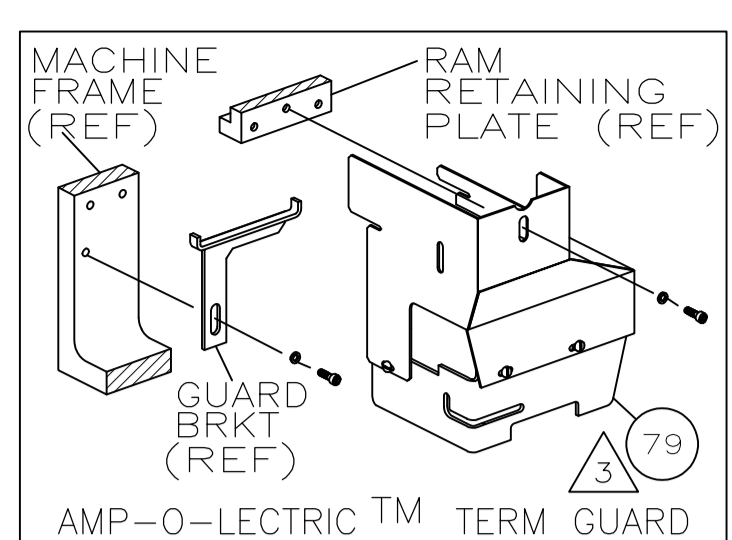


PART NUMBER	REV	FIRST USED
687833-4	C	854400-1



TERMINAL NAME: FLANGED SPADE

40891-A	
41495-A	
42113-A	

TERM APPL SPEC 114-2084

CRIMPING DATA

PAD LTR	CRIMP HEIGHT	WIRE SIZE
A	.120 ±.002	10
B	.108 ±.002	12
C	NOT	USED
D	NOT	USED

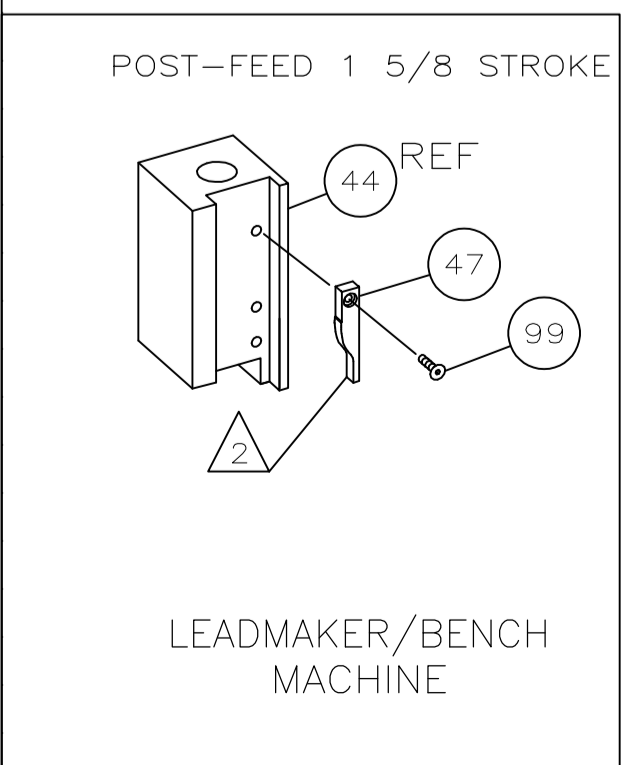
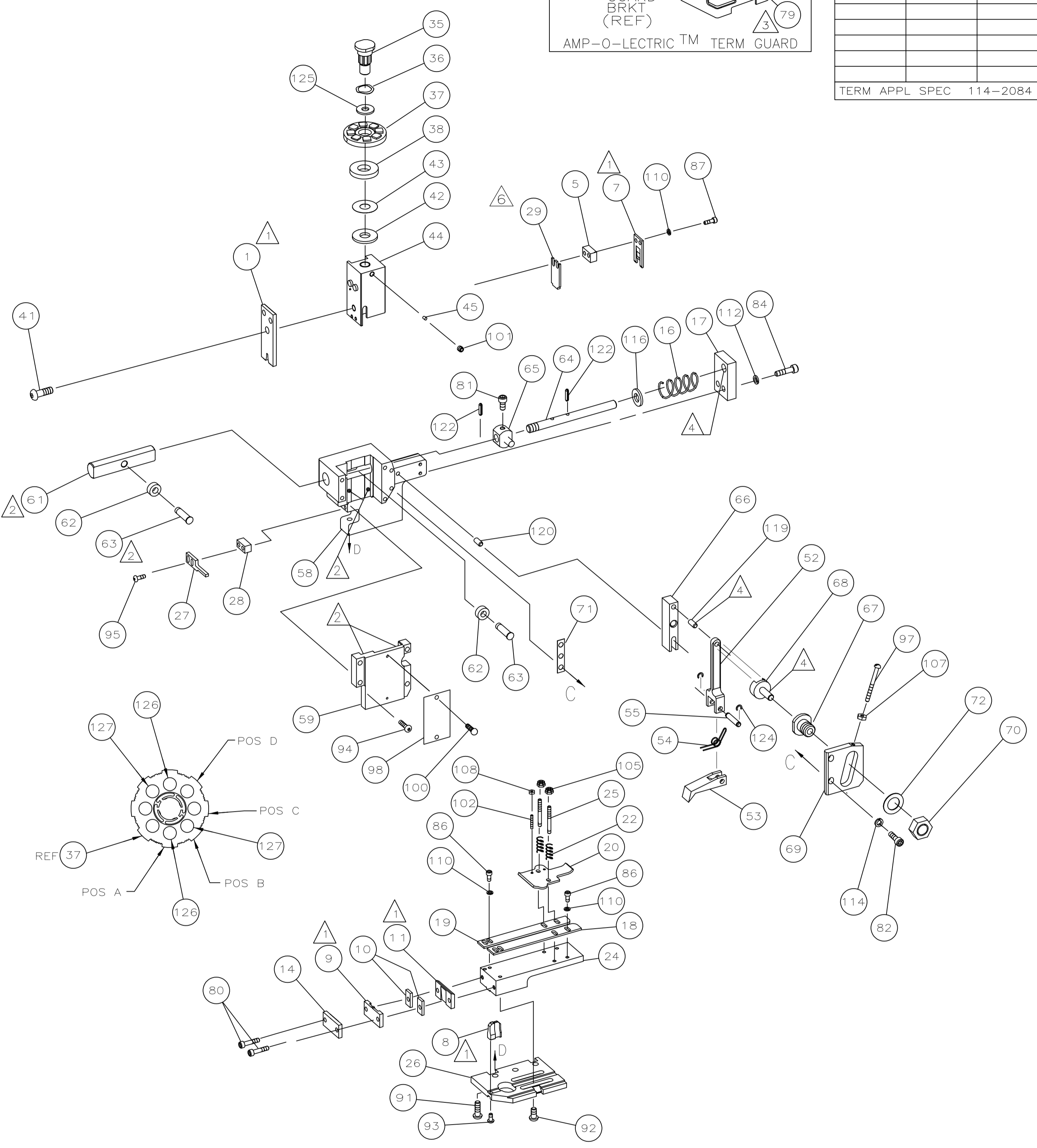
CRIMP	SIZE	TYPE	RANGE
WIRE	.180	F	12-10

FEED	APPL INST	SET UP GAGE	LAYOUT
.800	408-8039	458638-1	26A

WIRE STRIP LENGTH .235-.265

LOC	DIST	REVISIONS			
A	66	F LTR	DESCRIPTION	DATE	BY
		C	ECR-09-014469	6-2009	MY

-4 LEADMAKER & BENCH MODEL G MECH POST FEED



- 1 RECOMMENDED SPARE PARTS.
- 2 GREASE LIGHTLY.
- 3 GUARD MUST BE IN PLACE WHEN OPERATING APPLICATOR IN A BENCH MACHINE.
- 4 LUBRICATE DAILY USING NO. 20 MACHINE OIL.
- 5. ITEMS WITH QTY OF REF SPECIFIED (EXCEPT ITEMS 78 AND 79) ARE USED ON ITEM 32.
- 6 ADJUST ITEM 29 TO ACHIEVE PROPER BEND WHEN CHANGING WIRE SIZES.

QTY REQD	U/M	PART NO	DESCRIPTION	ITEM NO
				129
				128
2	-	7-354778-9	PIN, WIRE DISC (.2890)B	127
2	-	5-354778-0	PIN, WIRE DISC (.2745)A	126
1	-	986950-1	WASHER, FLAT PRECISION	125
REF	-	21045-3	RING, RET "C" (Ø.187)FD PIN	124
				123
REF	-	5-21028-1	PIN, STD SPRING (Ø.12)FD ADJ ROD	122
				121
REF	-	1-21030-7	PIN, DOWEL (Ø.187x1.50)HSG	120
REF	-	1-21030-1	PIN, DOWEL (Ø.187x.50)LEVER	119
				118
				117
REF	-	21899-4	WASHER, FLAT (Ø5/16)SCR ADJ	116
				115
REF	-	21024-5	WASHER, LOCK (NO.10)FD ADJ PL	114
				113
REF	-	21024-5	WASHER, LOCK (NO.10)FD ROD GDE	112
				111
6	-	21024-4	WASHER, LOCK (NO.8)SHEAR BL	110
				109
2	-	21018-4	NUT, HEX (4-40)DRAG	108
REF	-	21018-5	NUT, HEX (6-32)FD ADJ PL	107
				106
2	-	21022-2	NUT, HEX SL (8-32)DRAG STUD	105
				104
				103
2	-	2-21006-6	SCR, SKT SET (4-40x.62)DRAG	102
1	-	21009-2	SCR, SKT SET (1/4-20x.25)RAM	101
2	-	21017-2	SCR, DRIVE (#2x.19)ID PLATE	100
1	-	1-21002-7	SCR, BHC (6-32x.38)CAM	99
1	-	461264-1	PLATE, IDENTIFICATION	98
REF	-	6-23715-5	SCR, PAN HD (6-32x1.50)FEED ADJ	97
				96
2	-	2-21002-2	SCR, BHC (8-32x.50)STRIPPER	95
REF	-	2-21002-9	SCR, BHC (10-32x.75)HSG CAP	94
1	-	22733-8	SCR, BHC (8-32x.38 LW)ANVIL	93
4	-	3-21002-3	SCR, BHC (1/4-20x.50)ST GD PL	92
REF	-	2-22733-8	SCR, BHC (1/4-20x.62)BASE PL	91
				90
				89
				88
2	-	2-21000-7	SCR, SHC (8-32x.50)SLUG BLADE	87
4	-	2-21000-6	SCR, SHC (8-32x.38)STRIP GUIDE	86
				85
REF	-	3-21000-7	SCR, SKT CAP (10-32x.75)FD GDE	84
				83
REF	-	3-21000-6	SCR, SKT CAP (10-32x.62)FD ADJ P	82
REF	-	3-21000-4	SCR, SKT CAP (10-32x.38)PIVOT BL	81
2	-	3-21002-0	SCR, SKT CAP (10-32x.88)SH PL	80
REF	-	455745-1	GUARD, WINDOW	79
				78
				77
				76
				75
				74
				73
REF	-	458109-1	WASHER, FLAT (SPECIAL)	72
REF	-	690517-1	SPACER	71
-4	U/M	PART NO	DESCRIPTION	ITEM NO

QTY REQD	U/M	PART NO	DESCRIPTION	ITEM NO
				70
REF	-	22594-8	NUT, HEX	69
REF	-	240628-1	PLATE, ADJ	68
REF	-	240626-1	SHAFT, PIVOT	67
REF	-	240633-1	BUSHING	66
REF	-	455680-1	LEVER, INTERMEDIATE	65
REF	-	240629-1	BLOCK, PIVOT	64
REF	-	240632-2	SCR, ADJ	63
REF	-	240659-3	PIN, CAM ROLLER	62
REF	-	240658-1	CAM, ROLLER	61
REF	-	454398-1	ROD, FEED	60
				59
REF	-	454220-1	CAP, RAM	58
REF	-	453736-1	HOUSING	57
				56
				55
REF	-	240624-1	PIN, FEED FINGER	54
REF	-	691499-1	SPRING, FEED FINGER	53
REF	-	240635-1	FINGER, FEED	52
REF	-	240634-3	LEVER, TERMINAL	51
				50
				49
				48
1	-	690501-4	CAM, POST FEED 1 5/8 ST	47
				46
1	-	690191-1	PLUG, NYLON	45
1	-	455674-1	RAM	44
1	-	690125-1	WASHER, LAMINATED	43
1	-	1-690124-0	WASHER, RAM	42
1	-	7-21002-9	BOLT, CRIMPER (5/16-24x1.00)	41
				40
				39
1	-	690223-2	SPACER, INSULATION DISC	38
1	-	354777-1	WIRE DISC, PLASTIC	37
1	-	22480-5	WASHER, SPRING	36
1	-	690212-1	POST, RAM	35
				34
				33
1	-	458980-2	APPLICATOR, BASIC (SUB ASSY)	32
				31
				30
1	-	690759-1	TOOL, FLANGING	29
1	-	3-690451-2	SPACER, STRIPPER	28
1	-	240639-1	STRIPPER	27
REF	-	455676-1	PLATE, BASE	26
2	-	22354-8	DRAG, STUD	25
1	-	455678-6	PLATE, STRIP GUIDE	24
				23
2	-	4-22281-1	SPRING, DRAG	22
				21
1	-	454177-1	DRAG, STOCK	20
1	-	458030-4	GUIDE, STRIP (REAR)	19
1	-	458031-4	GUIDE, STRIP (FRONT)	18
REF	-	454178-1	GUIDE, FEED ROD	17
REF	-	4-22284-9	SPRING, FEED RETURN	16
				15
1	-	690783-1	PLATE, RETAINING	14
				13
				12
1	-	1-240644-1	PLATE, REAR SHEAR	11
2	-	1-240645-2	SPACER, SHEAR PLATE	10
1	-	690784-7	PLATE, FRONT SHEAR	9
1	-	240654-3	ANVIL	8
1	-	6-240651-7	BLADE, SLUG	7
				6
1	-	4-240641-8	SPACER, SLUG BLADE	5
				4
				3
				2
1	-	456428-2	CRIMPER, WIRE	1
-4	U/M	PART NO	DESCRIPTION	ITEM NO

THIS DRAWING IS A CONTROLLED DOCUMENT.

DIMENSIONS: INCHES	TOLERANCES UNLESS OTHERWISE SPECIFIED:	APPROVED: T. ELBIN	DATE: 4/5/01
0. PLC ± .005	1. PLC ± .002	NAME: T. ELBIN	DATE: 4/5/01
1. PLC ± .002	2. PLC ± .001	PRODUCT SPEC: -	
2. PLC ± .001	3. PLC ± .0005	APPLICATION SPEC: -	
3. PLC ± .0005	4. PLC ± .0002	SIZE: A1	CAGE CODE: -
4. PLC ± .0002	ANGLES: ± .001	WEIGHT: -	DRAWING NO: 00779
MATERIAL: -	FINISH: -	CUSTOMER DRAWING: -	SCALE: -

Tyco Electronics Corporation
 Harrisburg, PA 17105-3608

END FEED HDM APPLICATOR

687833-4

SCALE - SHEET 1 OF 1 REV C