

Kontaktstift ø8 mm

Einsatzbereich: - 923, 1-polig
crimp 25 mm²

TE Teile Nr.: 61-0159-023-000
IC Ref. Nr.: 61.159.23

Elektrische Werte

Bemessungsstrom 130 A*
Durchgangswiderstand < 110 µOhm

Werkstoff

Kontakt Messing, versilbert

Anschluss

Anschlussart/ -bereich Crimp/ 25 mm²
max. Litzenaußendurchmesser ø15 mm
Abisolierlänge 17 mm
Crimpeinstellungen sind individuell zu wählen

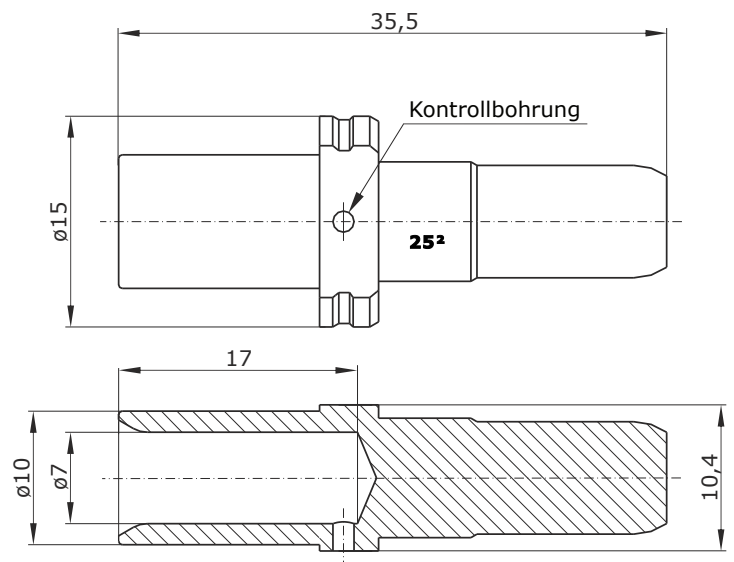
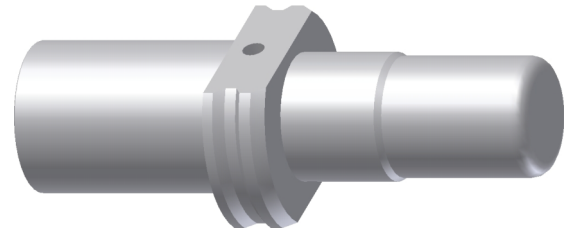
Mechanische Werte

Steckzyklen 500

Werkzeuge (nicht im Lieferumfang enthalten)

Akku Crimpzange TE Teile Nr.: C0-0207-000-000
IC Ref. Nr.: C0.207.00

Crimpeinsatz für 25 mm² TE Teile Nr.: C0-0210-000-000
IC Ref. Nr.: C0.210.00



Hauptabmessungen

Kontaktstift





Contact Pin $\varnothing 8$ mm

for: - 923, 1-polig
crimp 25 mm²

TE part number: 61-0159-023-000
IC reference number: 61.159.23

Electrical Data

rated current 130 A*
contact resistance < 110 μ Ohm

Material

contact brass, silver plated

Termination

cross-section crimp/ 25 mm²
max. outer wire diameter $\varnothing 15$ mm
stripping length 17 mm
crimp settings select individually

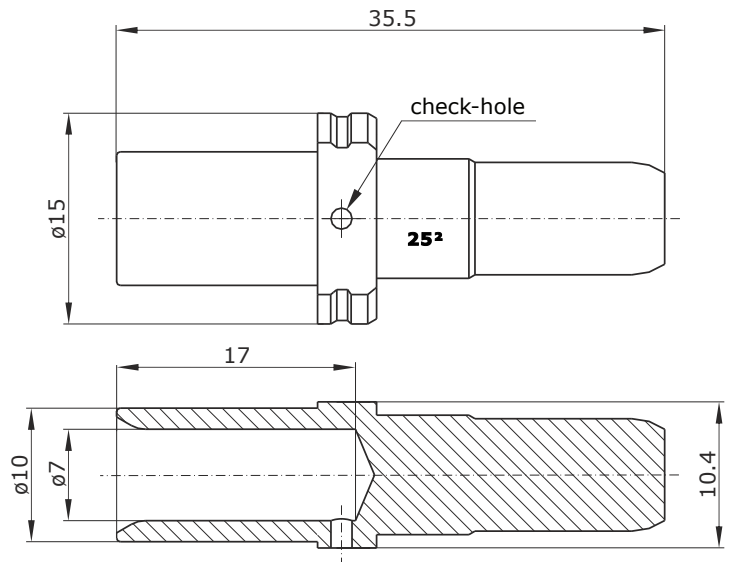
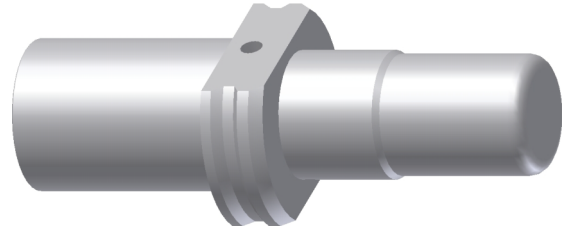
Mechanical Data

mating cycles 500

Tools (not part of product contents)

battery crimp tool TE part no.: C0-0207-000-000
IC ref. no.: C0.207.00

crimping insert for 25 mm² TE part no.: C0-0210-000-000
IC ref. no.: C0.210.00



Main Dimensions

contact pin

Y6-B579-000-000 issued: 17.04.2015/MH; modified: 19.10.2018/MHu

© 2018 TE Connectivity

TE Connectivity, TE connectivity (logo), intercontec (logo) and speedtec are trademarks.

While TE Connectivity (TE) has made every reasonable effort to ensure the accuracy of the information in this presentation, TE does not guarantee that it is error-free, nor does TE make any other representation, warranty or guarantee that the information is accurate, correct, reliable or current. TE reserves the right to make any adjustments to the information contained herein at any time without notice. TE expressly disclaims all implied warranties regarding the information contained herein, including, but not limited to, any implied warranties of merchantability or fitness for a particular purpose. The dimensions in this article are for reference purposes only and are subject to change without notice. Specifications are subject to change without notice. Consult TE for the latest dimensions and design specifications.

TE Connectivity Industrial GmbH
Bernrieder Straße 15
94559 Niederwinkling, Germany
+49 9962 2002 - 0
intercontec@te.com
www.intercontec.biz



* for max. wire cross-section