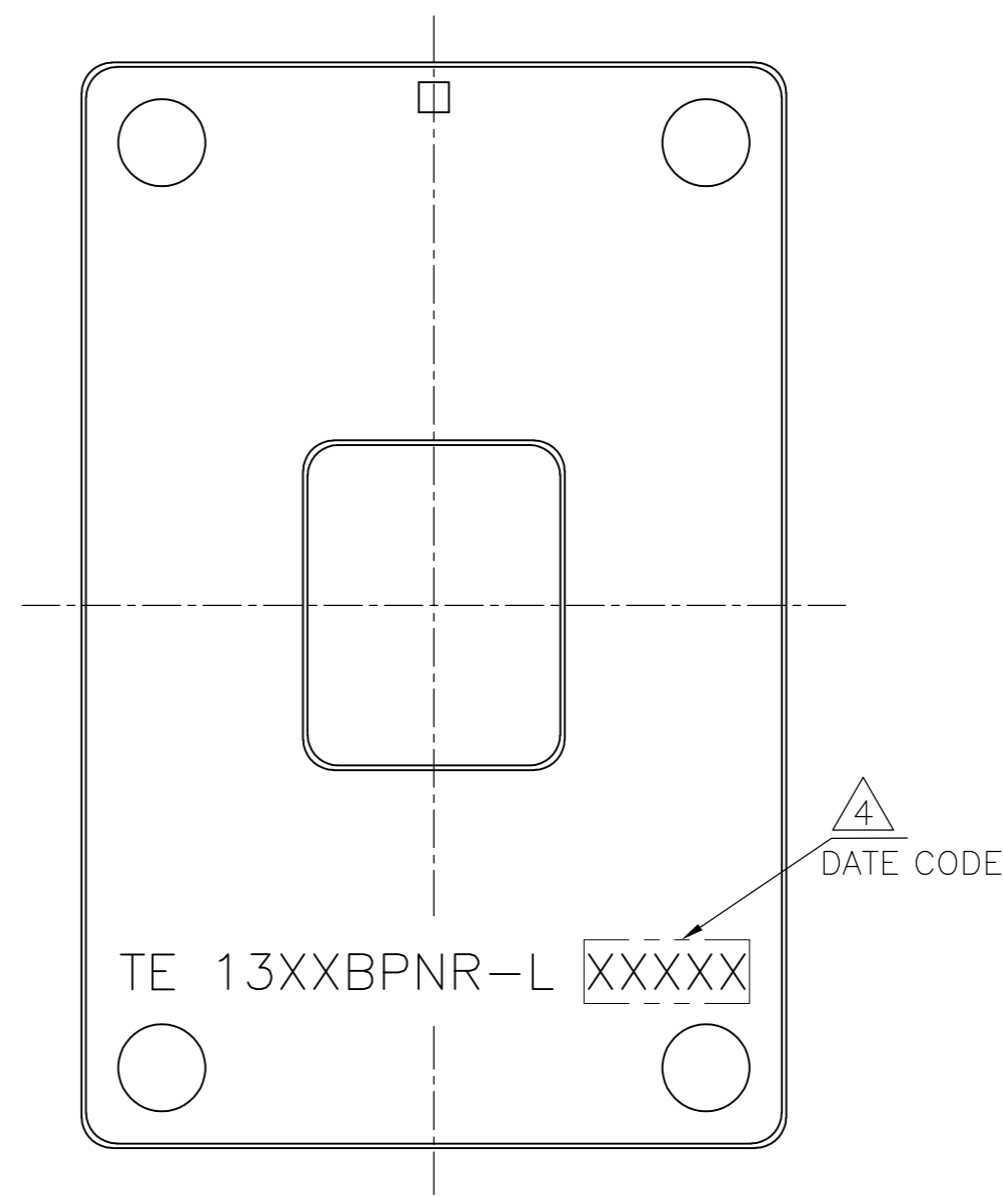
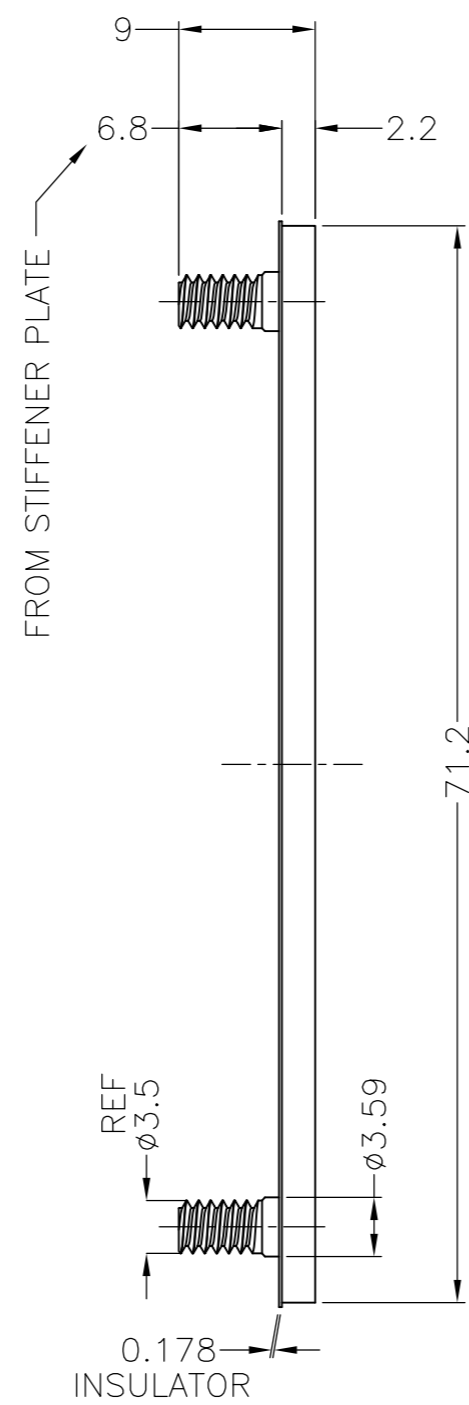
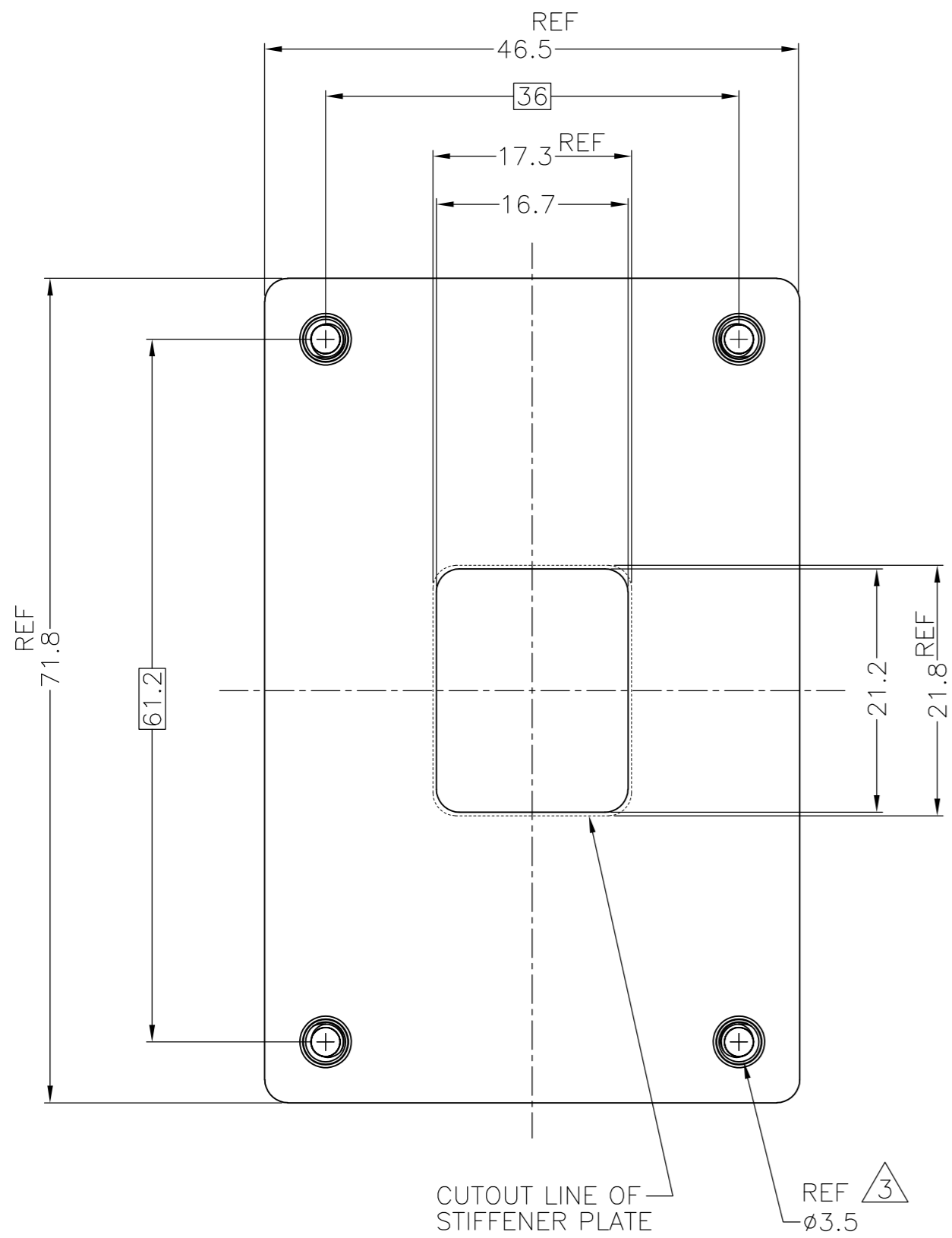
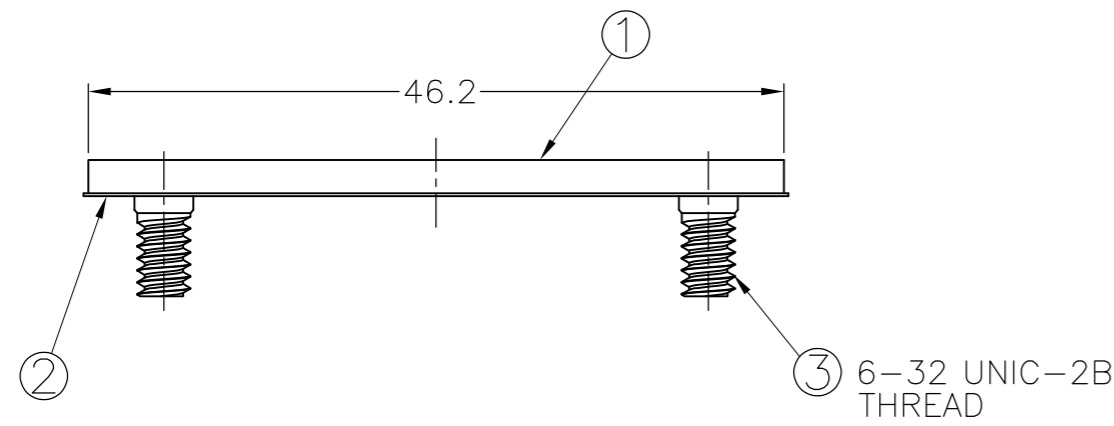


THIS DRAWING IS UNPUBLISHED. RELEASED FOR PUBLICATION
 © COPYRIGHT BY TYCO ELECTRONICS CORPORATION. ALL INTERNATIONAL RIGHTS RESERVED.

LOC	DIST	REVISIONS					
		P	LTR	DESCRIPTION	DATE	DWN	APVD
J	-	A		RELEASED	17NOV'10	Y.T	T.N



- MATERIAL
 - ① STIFFENER PLATE: STEEL
FINISH: NICKEL PLATING
 - ② INSULATOR: POLYCARBONATE FILM PLUS ACRYLIC ADHESIVE LAYER
SOCKET ASSY LGA1366 OR SOCKET ASSY LGA1356
(DRAWING NUMBER: 1981837 OR 1554116)
 - ③ STUD BOLT: STEEL
FINISH: NICKEL PLATING
- ASSEMBLED WITH ILM ASSY (DRAWING NUMBER: 1939738)
- △ THE STUD BOLTS SHALL BE ADAPTED TO PCB LAYOUT FOR SOCKET ASSY LGA1366 OR SOCKET ASSY LGA1356 (DRAWING NUMBER: 1981837 OR 1554116)
- △ INDICATED DATE CODE ON THE STIFFENER PLATE

2134909-1 : AS SHOWN

2134909-1
PART NUMBER

THIS DRAWING IS A CONTROLLED DOCUMENT.		DWN Y.TAKAHASHI 17NOV2010	Tyco Electronics Corporation Kawasaki, Japan	
DIMENSIONS: 単位: 寸 mm		CHK H.TAGUCHI 17NOV2010	NAME 名称 STIFFENER PLATE (DESK TOP BACKPLATE) W/ LONGER STUD LGA1366	
TOLERANCES UNLESS OTHERWISE SPECIFIED: 一般公差		APVD S.HASHIMOTO 17NOV2010	SIZE A2	CAGE CODE 00779
0 PLC ±		PRODUCT SPEC 製品規格	DRAWING NO 番号 C=2134909	RESTRICTED TO -
1 PLC ± ±0.3		APPLICATION SPEC 取付適用規格	SCALE 尺度 2:1	SHEET 1 OF 1
2 PLC ± ±3		FINISH 仕上	REV A	
3 PLC ±				
4 PLC ±				
ANGLES ±				
MATERIAL 材料		WEIGHT 52g	CUSTOMER DRAWING	