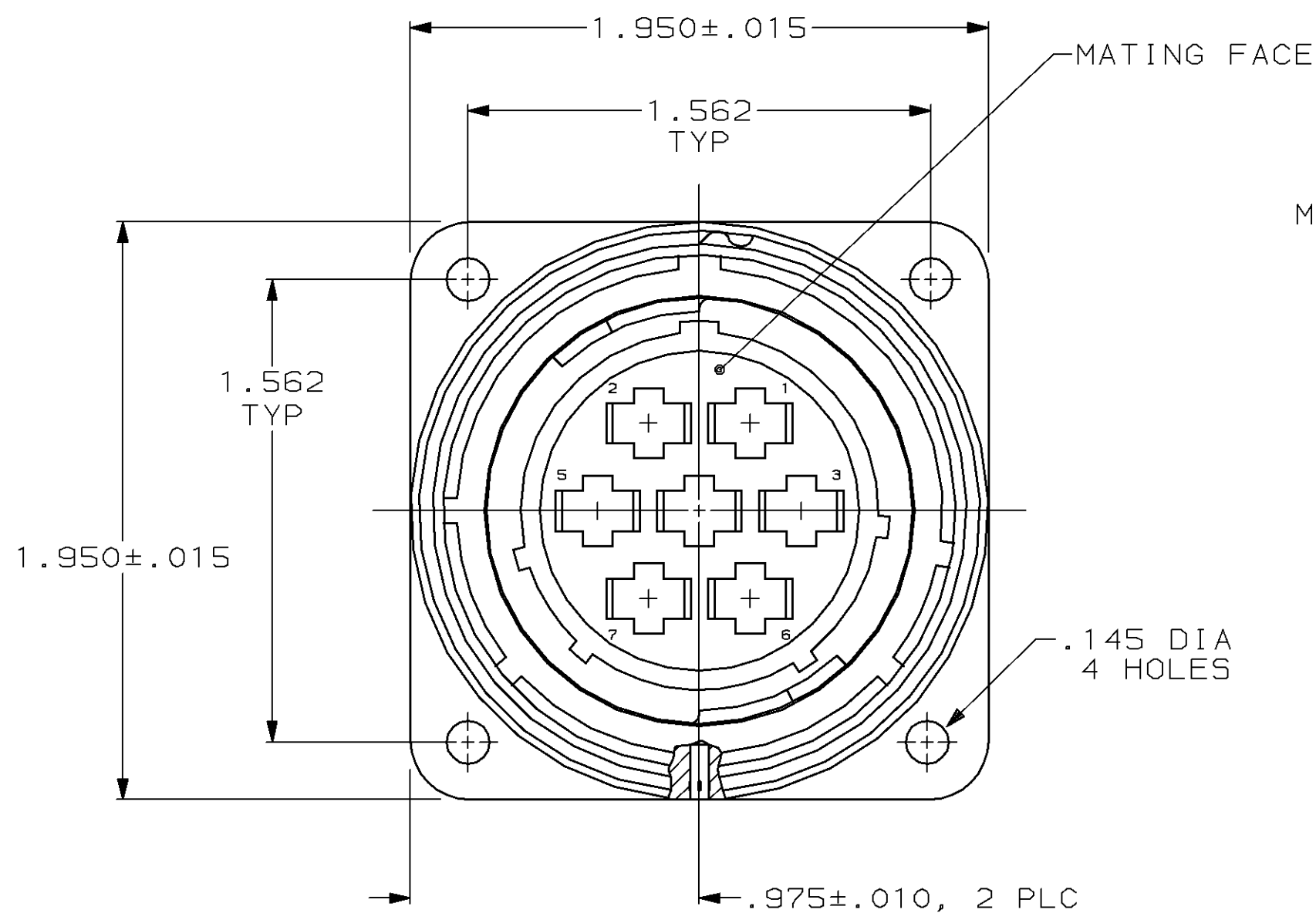


MOD		LOC		DIST		REVISIONS				
P	F	ZONE	LTR	DESCRIPTION	DATE	APPD				
4	BD	35					J	REDRAWN	6-27-91	-
							K	OBS -2 PER EC 0020-0394-93	11/17/94	RK

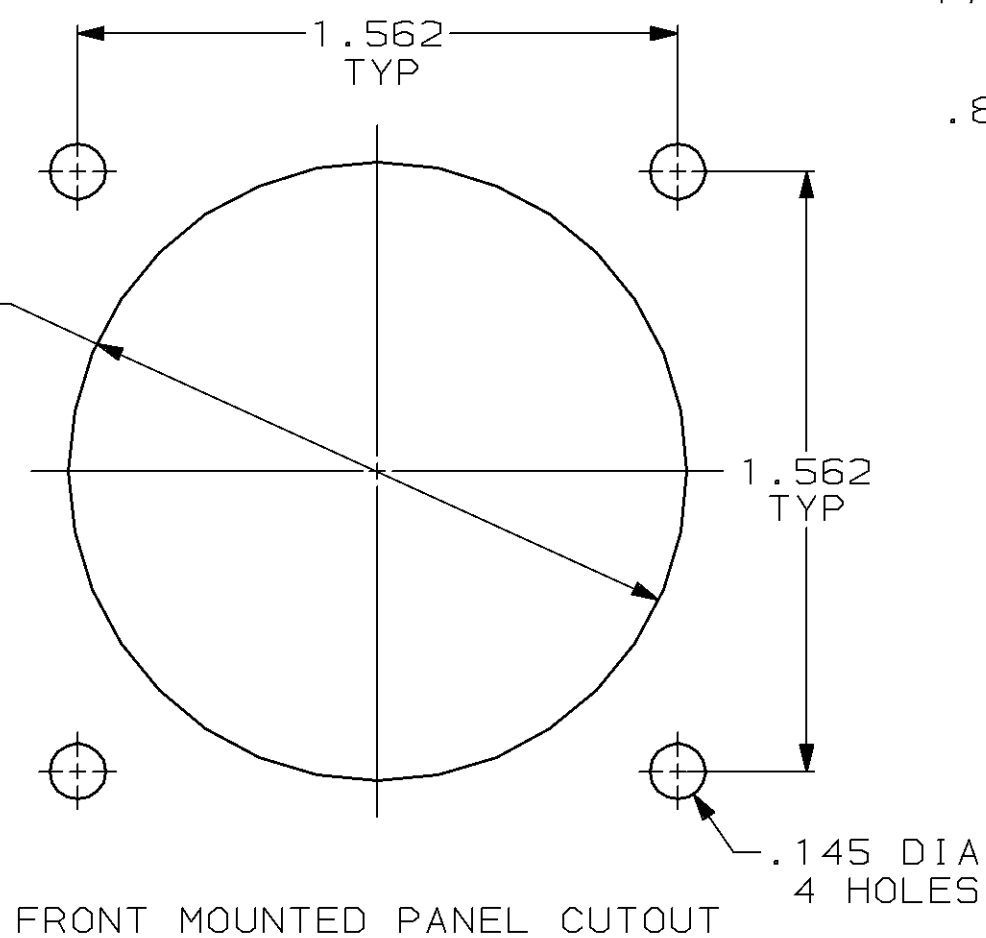
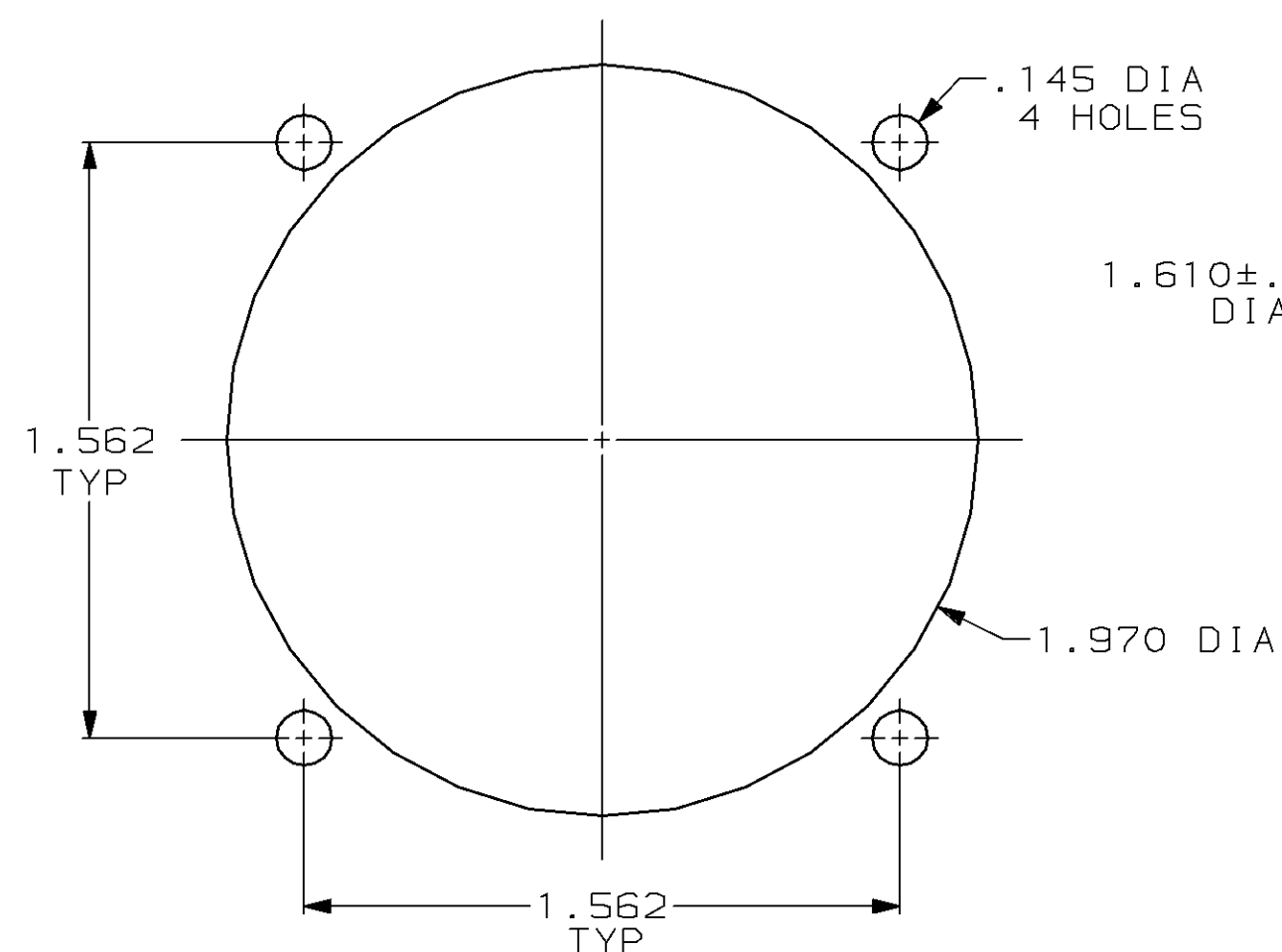
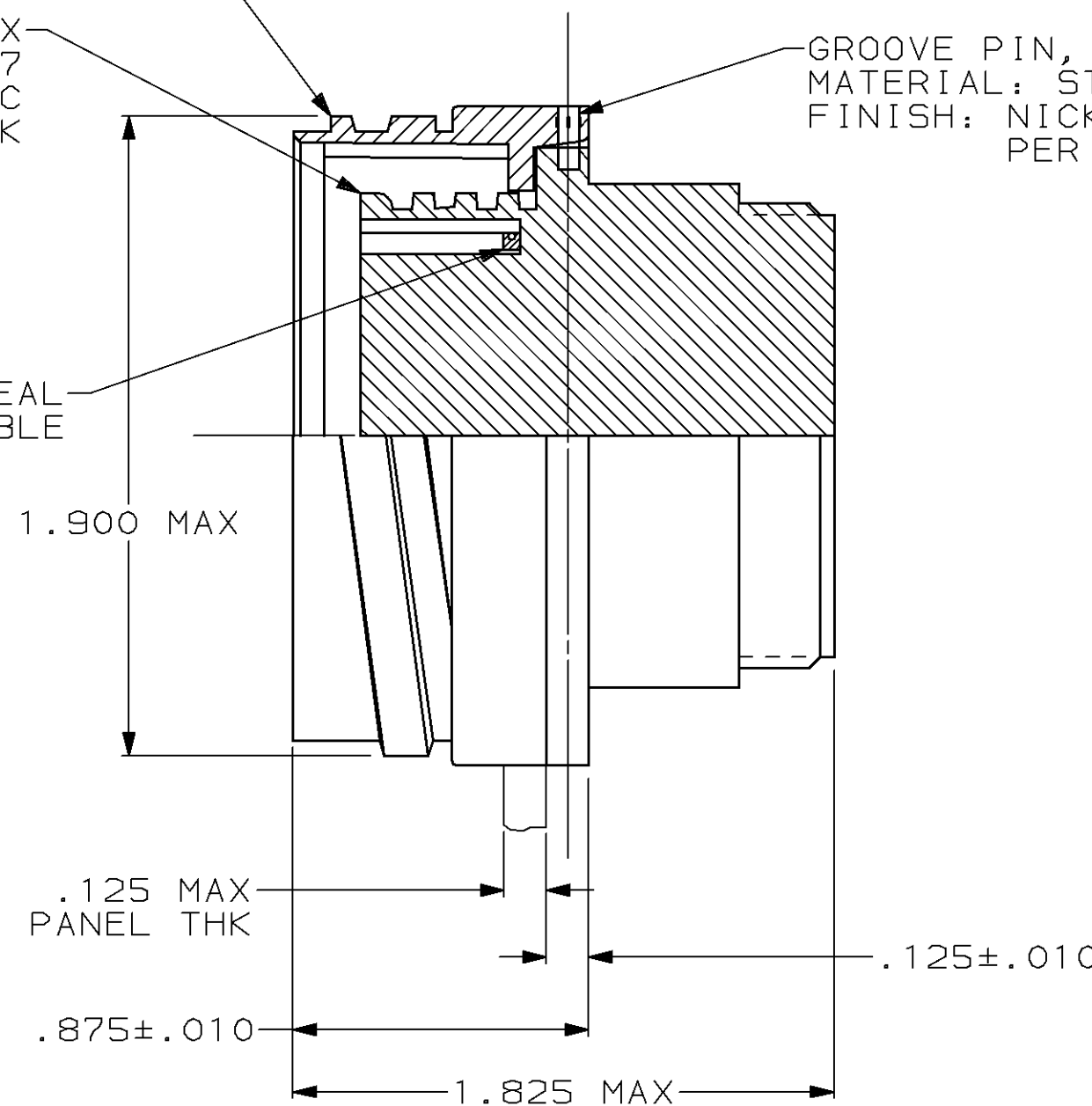


RECEPTACLE, REV SEX  
 ARRANGEMENT 23-7  
 MATERIAL: THERMOPLASTIC  
 COLOR: BLACK

METAL SHELL RECEPTACLE  
 MATERIAL: ZINC ALLOY  
 FINISH: NICKEL PLATED PER QQ-N-290

GROOVE PIN, 2 PLC  
 MATERIAL: STEEL ALLOY  
 FINISH: NICKEL PLATED  
 PER QQ-N-290

PERIPHERAL SEAL  
 SEE TABLE



REAR MOUNTED PANEL CUTOUT

OBSOLETE	YES	208485-2
	NO	208485-1
	PERIPHERAL SEAL	PART NUMBER

- 208485-1 MATES WITH AMP PLUG 208484-1 OR -3. 208485-2 MATES WITH 208484-1 ONLY.
- AMP PART NUMBER AND DATE CODE TO BE LOCATED ON EDGE OF FLANGE.

DO NOT SCALE PRINT. UNLESS SPECIFIED DIMENSIONS IN INCHES TOLERANCES ON :	DR 6-27-91 R.LEE BG	AMP Incorporated Harrisburg, PA 17105-3608
	CHK 4-14-92 W.G.LENKER	
APPD 4-14-92 K.BEAVER		
APPD 4-15-92 C.ROHDE		
MATERIAL	PRODUCT SPEC 108-10040	NAME
SEE CALLOUT	APPLICATION SPEC -	SIZE
SEE CALLOUT	WEIGHT -	CAGE CODE 00779
		DRAWING NO 208485
		SCALE 2:1
		SHEET 1 OF 1