

4

3

2

1

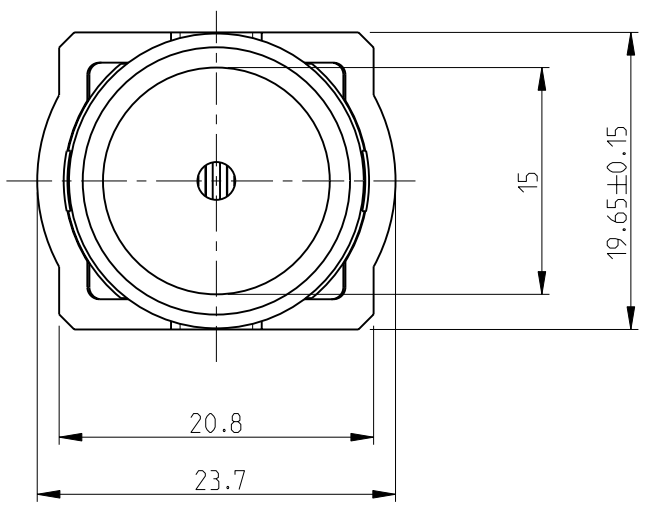
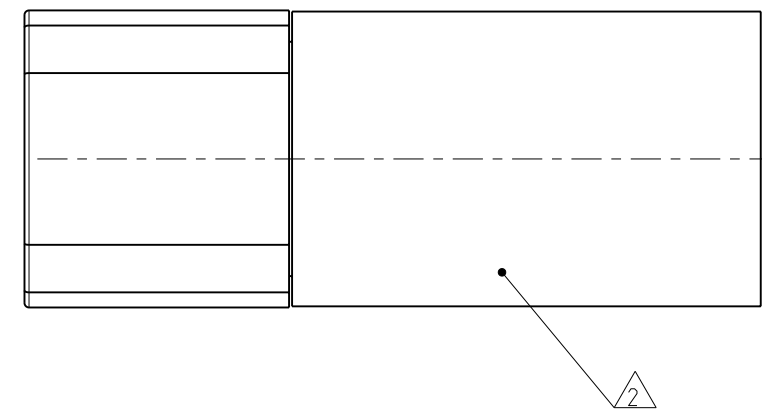
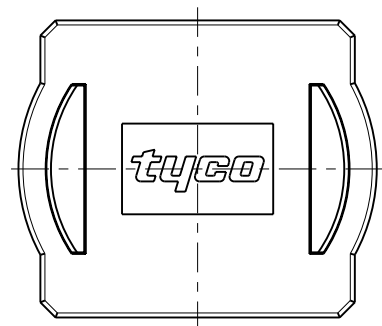
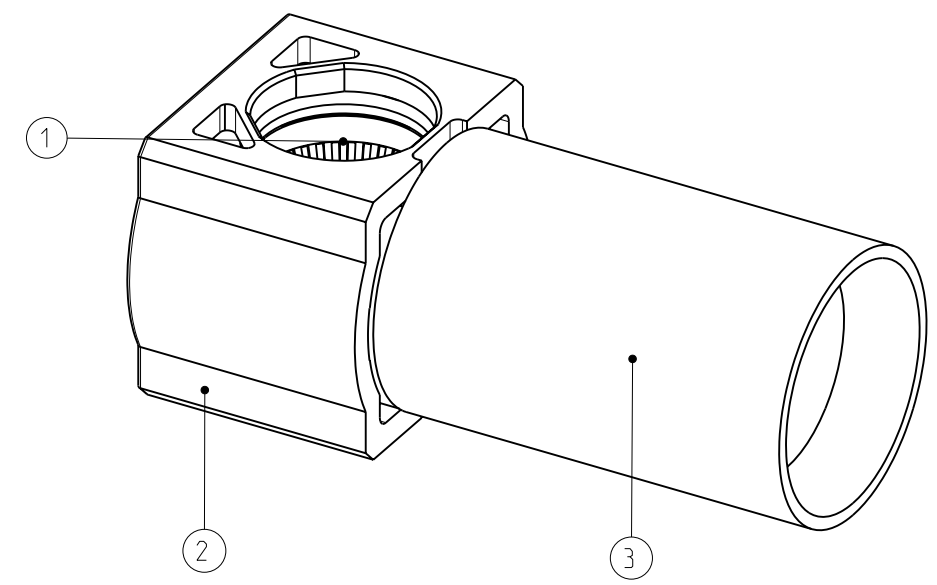
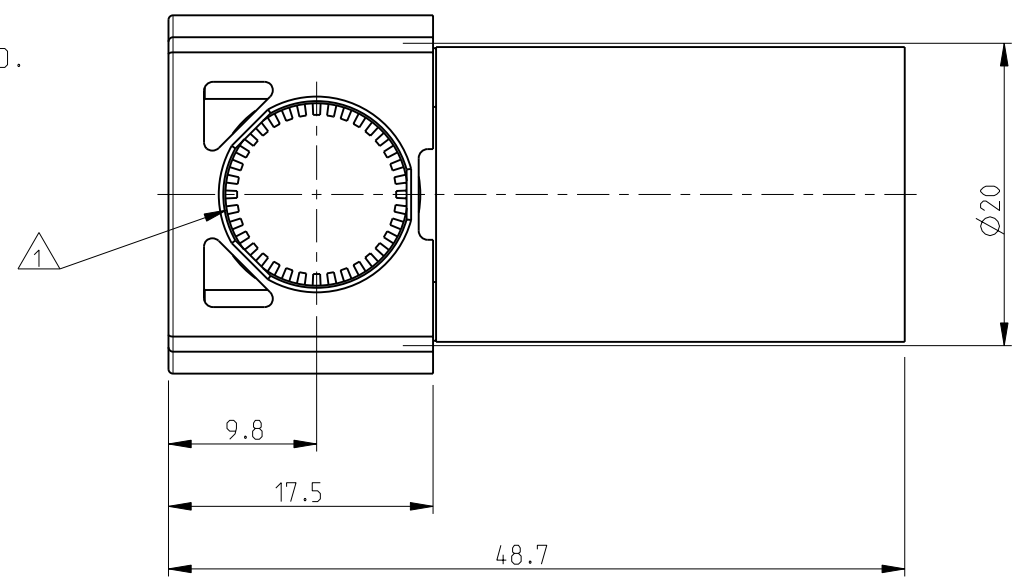
THIS DRAWING IS UNPUBLISHED. RELEASED FOR PUBLICATION

© COPYRIGHT - BY TYCO ELECTRONICS CORPORATION. ALL RIGHTS RESERVED.

LOC	DIST	REVISIONS					
H	-	P	LTR	DESCRIPTION	DATE	DWN	APVD
			A	Released As per ECR-10-025797	16DEC10	C.J	PKS

NOTES:

- 1 SOCKET SUITABLE FOR Ø12mm PIN.
- 2 CRIMP BARREL SUITABLE FOR 95mm<sup>2</sup> HIGH FLEXIBLE CABLE.
- 3 TERMINATION DETAILS TO BE DETERMINED.



BLUE	1857547-2
RED	1857547-1
COLOR	PART NUMBER

3	SOCKET CONTACT BODY	COPPER ALLOY	SILVER OVER NICKEL
2	INSULATOR	THERMOPLASTIC UL94V-0	COLOR: RED OR BLUE
1	FEMALE LOUVERTAC BAND	COPPER ALLOY	SILVER OVER NICKEL
ITEM NO.	DESCRIPTION	MATERIAL	FINISH

THIS DRAWING IS A CONTROLLED DOCUMENT FOR TYCO ELECTRONICS CORPORATION  
IT IS SUBJECT TO CHANGE AND THE CONTROLLING ENGINEERING ORGANIZATION  
SHOULD BE CONTACTED FOR THE LATEST REVISION.

DIMENSIONS:	TOLERANCES UNLESS OTHERWISE SPECIFIED:
mm	
	0 PLC ±-
	1 PLC ±-
	2 PLC ±-
	3 PLC ±-
	4 PLC ±-
	ANGLES ±
MATERIAL see table	FINISH see table

DWN R. Daamen 15 mar 05	Tyco Electronics Nederland BV 's-Hertogenbosch, The Netherlands
CHK P. Jaeger 30 mar 06	
APVD J. Broeksteeg 30 mar 06	
NAME	RAPID LOCK 12mm pin, 95Sq. mm
PRODUCT SPEC	
APPLICATION SPEC	
WEIGHT	SIZE A3 CAGE CODE 00779 DRAWING NO. C-1857547 RESTRICTED TO -
CUSTOMER DRAWING	SCALE 2:1 SHEET 1 OF 1 REV A