

PART NUMBER	REV	FIRST USED	POWER UNIT	FEED TYPE	DESCRIPTION
1852591-1	2	122500-1	LEADMAKER	AIR FEED	CUTS CARRIER
1852591-2	2	565435-5	BENCH MODEL K	AIR FEED	CUTS CARRIER
1852591-3	2	354500-1	BENCH MODEL G	AIR FEED	CUTS CARRIER
1852591-6	2	122500-1	LEADMAKER	AIR FEED	CONTINUOUS CARRIER
7-1852591-7	2	-	-	-	SPARE PARTS

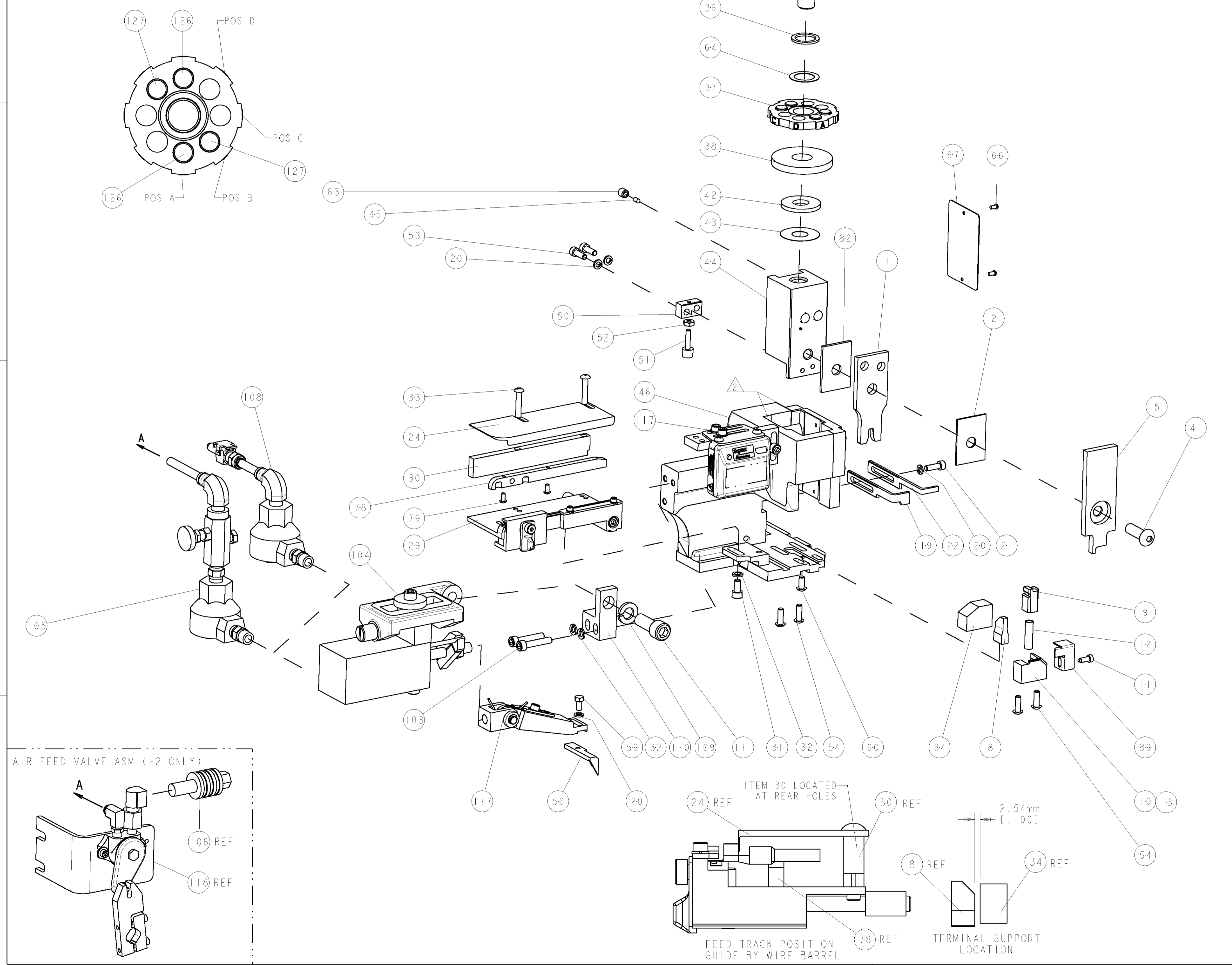


TERMINAL NAME: FEMALE PANEL RECEPTACLE			
TE P/N	MULTI-CONTACT P/N	MULTI-CONTACT TERMINAL - TE CRIMP SPECS	
1949565	32.0056P2000		
		PAD LTR	CRIMP HEIGHT
		A	2.49mm±.05/-0.05 [ .098±.002/-0.002 ]
		B	2.11mm±.05/-0.05 [ .083±.002/-0.002 ]
		C	
		D	
		CRIMP	SIZE
			TYPE
			RANGE
		WIRE	3.94mm [ .155 ]
		INSUL	
WIRE STRIP LENGTH	TERM APPL SPEC	FEED	APPLICATOR INSTRUCTIONS
5.28-6.08	NONE	20.07	408-8040
			SET UP GAGE
			458637-1

LOC	DIST	REV	DESCRIPTION	DATE	BY	APPD
A	66					

THIS PRINT IS  
**PRELIMINARY**  
UNQUALIFIED PRODUCT  
CONTACT PRODUCT ENGINEERING  
BEFORE USING THIS PRINT

- RECOMMENDED SPARE PARTS
- GREASE LIGHTLY
- GUARD MUST BE IN PLACE WHEN OPERATING APPLICATOR IN A BENCH MACHINE



-	2	2	2	2	-	6-354778-9	PIN, WIRE DISC, .2840	127	
-	2	2	2	2	-	4-354778-0	PIN, WIRE DISC, .2695	126	
-	-	-	REF	-	-	692655-6	AIR FEED VALVE ASSEMBLY	118	
-	1	1	1	1	-	461062-1	FEED FINGER ASSEMBLY	117	
-	-	-	REF	-	-	455749-1	GUARD WINDOW	116	
-	-	-	REF	-	-	679532-1	INSERT, GUARD	115	
-	1	1	1	1	-	3-21001-5	SCR, SKT HD CAP 3/8-16 X 1.000	111	
-	1	1	1	1	-	459610-1	MOUNT, FEED BRACKET	110	
-	1	1	1	1	-	21024-8	WASHER, SPRG LOCK, REG 3/8	109	
-	1	1	1	1	-	692655-7	AIR FEED VALVE ASSEMBLY	108	
-	-	-	REF	-	-	24024-2	VALVE, SHUT OFF	106	
-	-	-	1	-	-	692655-5	AIR FEED VALVE ASSEMBLY	105	
-	1	1	1	1	-	461065-1	ASSEMBLY, AIR FEED	104	
-	2	2	2	2	-	3-21000-9	SCR, SKT HD CAP 10-32 X 1.000	103	
-	1	1	1	1	-	318563-1	GUARD, FRONT CHIP	89	
-	1	1	1	1	-	2-455888-1	SPACER, CRIMPER	82	
-	2	2	2	2	-	1-21002-3	SCR, BTN SKT HD CAP 4-40 X .250	79	
-	1	1	1	1	-	189807-5	FENCE	78	
-	1	1	1	1	-	4088040	SF APPL INST 408-8040	72	
-	1	1	1	1	-	217238-1	GENERAL INSTRUCTION PKG	71	
-	1	1	1	1	-	461264-1	PLATE, IDENTIFICATION	67	
-	2	2	2	2	-	21017-2	SCREW, DRIVE	66	
-	1	1	1	1	-	986950-1	WASHER, FLAT PRECISION	64	
-	1	1	1	1	-	21009-2	SCR, SET, SELF LOCKING 1/4-20 X .250	63	
-	1	1	1	1	-	22733-8	SCR, BHSC, SELF-LOCKING, 8-32 X .375	60	
-	1	1	1	1	-	2-22603-0	SCR, HEX HD CAP 8-32 X .312	59	
-	1	1	1	1	-	2-694433-6	FEED PAWL	56	
-	4	4	4	4	-	2-21002-2	SCR, BTN SKT HD CAP 8-32 X .500	54	
-	2	2	2	2	-	2-21000-7	SCR, SKT HD CAP 8-32 X .500	53	
-	1	1	1	1	-	21018-5	NUT, HEX, REG 6-32	52	
-	1	1	1	1	-	811242-2	BUMPER, HOLD DOWN	51	
-	1	1	1	1	-	690753-1	SPACER, TONKER	50	
-	1	1	1	1	-	1633399-7	APPL., BASIC AIR FEED SUB ASSY	46	
-	1	1	1	1	-	690191-1	PLUG, NYLON	45	
-	1	1	1	1	-	455673-6	RAM, SIDE FEED	44	
-	1	1	1	1	-	690125-1	SHIM SUB-ASSY	43	
-	1	1	1	1	-	690124-1	WASHER, RAM (.115)	42	
-	1	1	1	1	-	7-21002-9	SCR, BTN SKT HD CAP 5/16-24 X 1.00	41	
-	1	1	1	1	-	690223-2	SPACER, INS.	38	
-	1	1	1	1	-	354777-1	WIRE DISC, ASSEMBLY	37	
-	1	1	1	1	-	22480-5	SPRING, COMPRESSION	36	
-	1	1	1	1	-	690212-1	POST, RAM	35	
-	1	1	1	1	-	3-690786-5	TERMINAL SUPPORT	34	
-	2	2	2	2	-	9-21002-6	SCR, BTN SKT HD CAP 8-32 X .875	33	
-	3	3	3	3	-	21024-5	WASHER, SPRG LOCK, REG NO 10	32	
-	1	1	1	1	-	3-21000-4	SCR, SKT HD CAP 10-32 X .375	31	
-	1	1	1	1	-	2-1320908-2	SPACER, STRIP GUIDE	30	
-	1	1	1	1	-	1633091-7	ASSEMBLY, STRIP GUIDE	29	
-	1	1	1	1	-	1320928-4	PLATE, STRIP GUIDE	24	
-	1	1	1	1	-	690472-4	STRIPPER	22	
-	1	1	1	1	-	2-21000-7	SCR, SKT HD CAP 8-32 X .500	21	
-	4	4	4	4	-	21024-4	WASHER, SPRG LOCK, REG NO 8	20	
-	-	-	1	-	-	691353-1	STRIPPER	19	
-	1	1	1	1	-	679625-1	SHEAR HOLDER, FRONT (NO CUT)	13	
-	1	1	1	1	-	3-22280-3	SPRING, COMPRESSION	12	
-	1	1	1	1	-	690461-1	STOP, SHEAR	11	
-	-	-	1	-	-	690459-1	SHEAR HOLDER, FRONT	10	
-	1	1	1	1	-	454276-1	FLOATING SHEAR, FRONT	9	
-	1	1	1	1	-	1633572-3	ANVIL, WIRE	8	
-	-	-	-	-	-	-	-	7	
-	-	-	-	-	-	-	-	6	
-	1	1	1	1	-	1-455889-4	DEPRESSOR, SHEAR	5	
-	-	-	-	-	-	-	-	4	
-	-	-	-	-	-	-	-	3	
-	1	1	1	1	-	1-455888-0	SPACER, CRIMPER	2	
-	1	1	1	1	-	456415-6	CRIMPER, WIRE .155 F PREMIUM	1	
-	77	-6	-3	-2	-1	U/M	PART NO	DESCRIPTION	ITEM NO

DIMENSIONS:		TOLERANCES UNLESS OTHERWISE SPECIFIED:	
INCHES		0 PLC	±
		1 PLC	±0.1
		2 PLC	±0.01
		3 PLC	±0.001
		4 PLC	±0.0001
		ANGLES	±
MATERIAL		FINISH	

CUSTOMER VIEWABLE ASSEMBLY