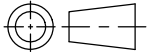
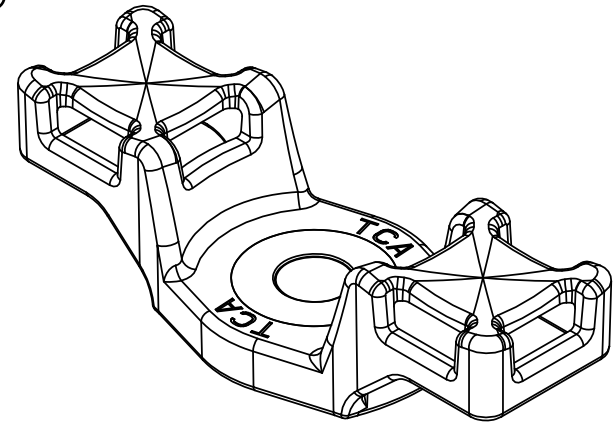
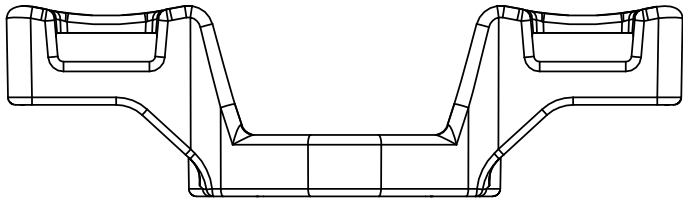
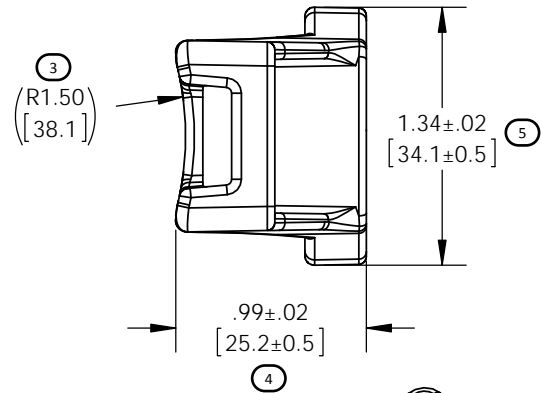
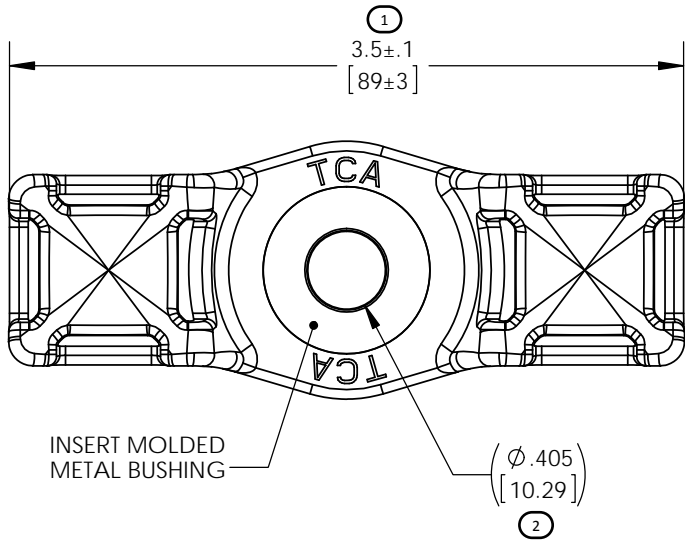


SW2015



Revision level			Revision Record	Changed	Date	Approved	Date
Drawing	State	Part					
00.1	Design Release	-	SEE ECN# 014086	CTF	09/28/2017	KAC	09/28/2017



Material
PA66HIRHSUV
COLOR: BLACK
METAL BUSHING, ROHS
COMPLIANT

Units: **inches**
Dimension without
tolerances details to:
.XXXX = ±.0005
.XXX = ±.005
.XX = ±.01
.X = ±.03
None = ±.06
∠ = ±0.5°
Dimension Formatted in [mm]

The copyright of this
drawing is reserved by
HellermannTyton. It is
issued on condition that it is
not reproduced, copied, or
disclosed to a third party,
either wholly or in part,
without the consent of
HellermannTyton.

Drawn	CTF	09/28/2017
Approved	KAC	09/28/2017

HellermannTyton
North America
Email: corp@htamericas.com
Web: www.hellermann.tyton.com

Article/Type-No HDM375BDM4W_ROHS
Title HIGH-TORQUE HEAVY-DUTY 4 WAY DUAL
CABLE TIE MOUNT INSERT-MOLDED WITH
METAL BUSHING - ROHS COMPLIANT
Drawing-No PRODUCTION : Phase
17-2116-001-CSU

Scale 1:1
Project Number PRP 17-2116
Format AH
Sheet 1/1