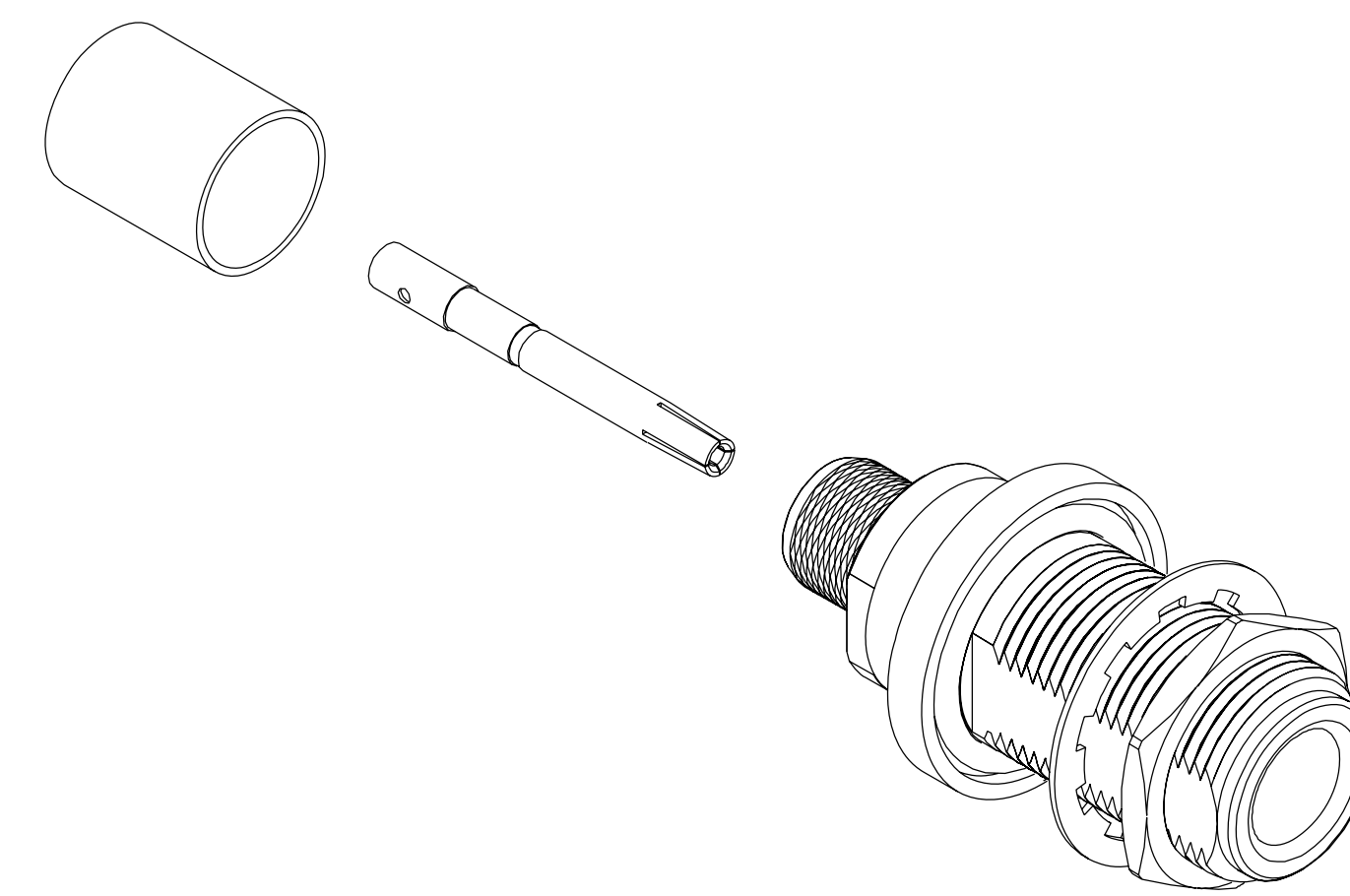


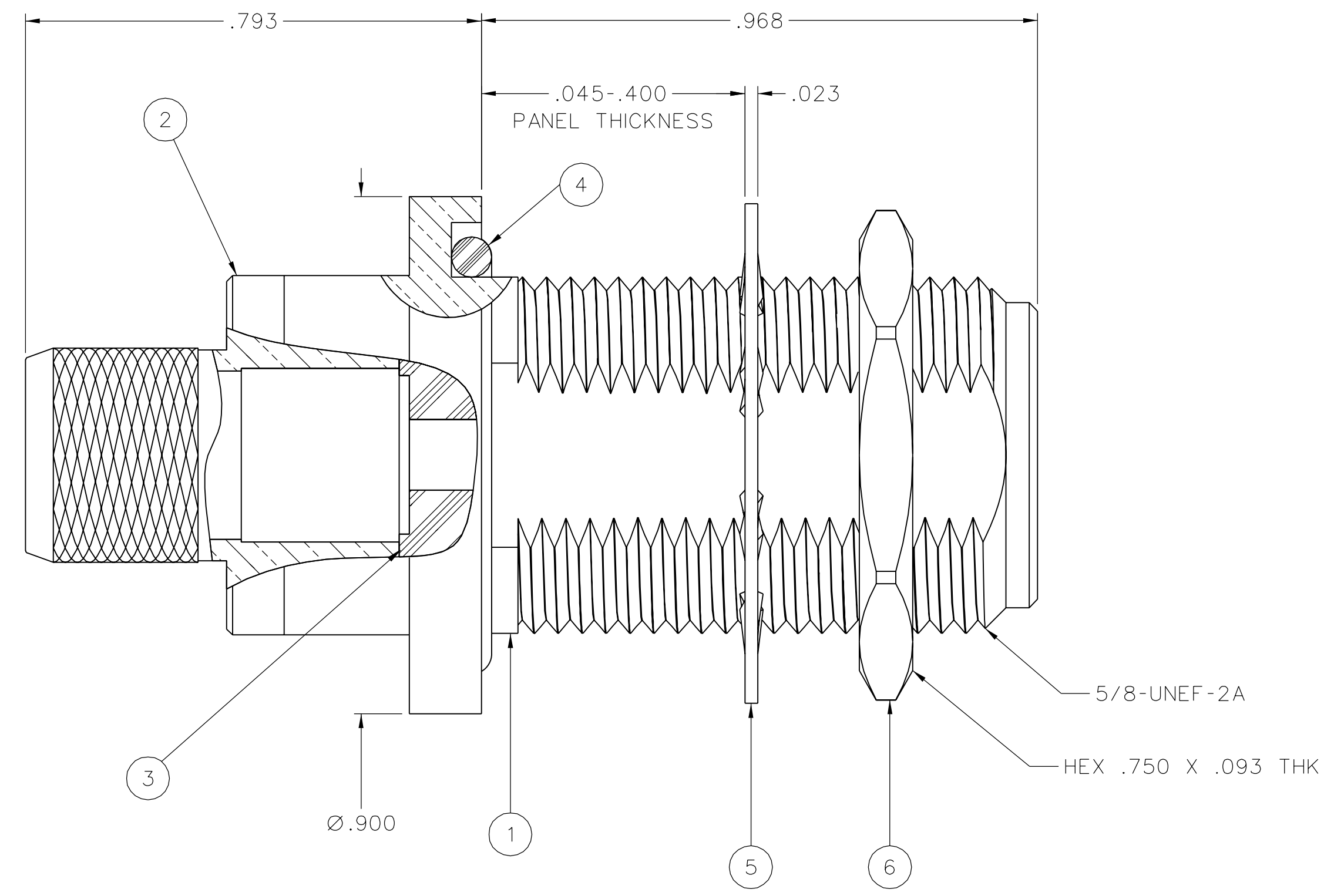
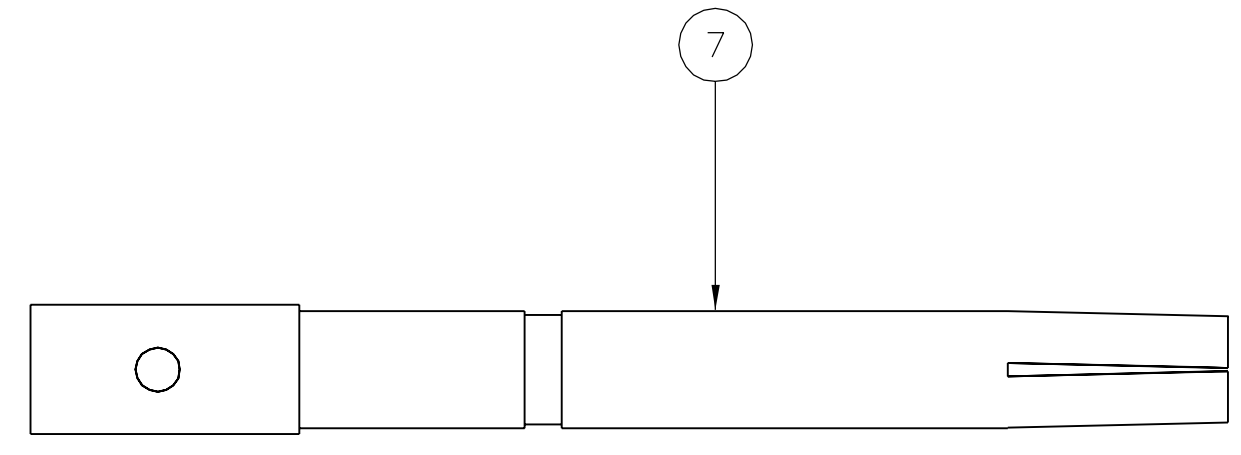
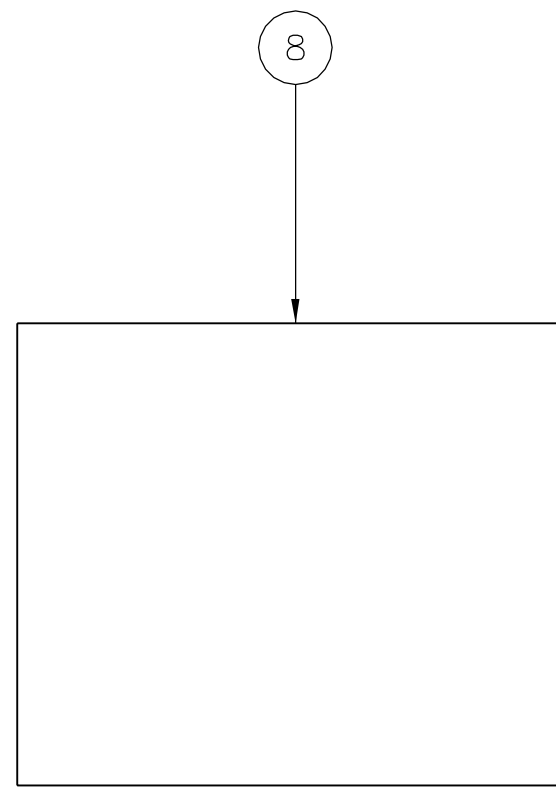
PART NUMBER	ITEM ① BODY	ITEM ② STEM	ITEM ③ INSULATOR	ITEM ④ O-RING	ITEM ⑤ LOCKWASHER	ITEM ⑥ MOUNTING NUT	ITEM ⑦ CONTACT	ITEM ⑧ CRIMP SLEEVE
138-4349-406	BRASS NICKEL PL .0001 MIN OVER COPPER PL .00005 MIN	BRASS NICKEL PL .0001 MIN OVER COPPER PL .00005 MIN	TEFLON	SILICONE RUBBER	STEEL TRI-ALLOY .0001 MIN	BRASS NICKEL PL .0001 MIN OVER COPPER PL .00005 MIN	BERYLLIUM COPPER GOLD PL .00005 MIN OVER NICKEL PL .00005 MIN OVER COPPER PL .00005 MIN	COPPER NICKEL PL .0001 MIN OVER COPPER PL .00005 MIN
138-4349-407	BRASS TRI-ALLOY PL .0001 MIN	BRASS TRI-ALLOY PL .0001 MIN	TEFLON	SILICONE RUBBER	STEEL TRI-ALLOY .0001 MIN	BRASS NICKEL PL .0001 MIN OVER COPPER PL .00005 MIN	BERYLLIUM COPPER GOLD PL .00005 MIN OVER NICKEL PL .00005 MIN OVER COPPER PL .00005 MIN	COPPER TRI-ALLOY PL .0001 MIN



2:1

DRAWING NO.
D - 138-4349-401/410

REVISIONS				
0				
ENGINEERING RELEASE				
1	2-15-06	P A R K	J D W	M J U ECN 50294
VERSION UPDATE				
2	11-15-06	P A R K	J D W	M J U ECN 50787
LOCKWASHER TRI-ALLOY WAS ZINC .045-.400 WAS .045-.125 ***** * REVISION NUMBER FOLLOWED BY AN ALPHA * * CHARACTER INDICATES DRAWING CLARIFI- * CATION OR PART NUMBER ADDITION ONLY * *****				
2a	2-8-07	P A R K	J D W	M J U ECN 50938



NOTES:

1. SPECIFICATIONS:

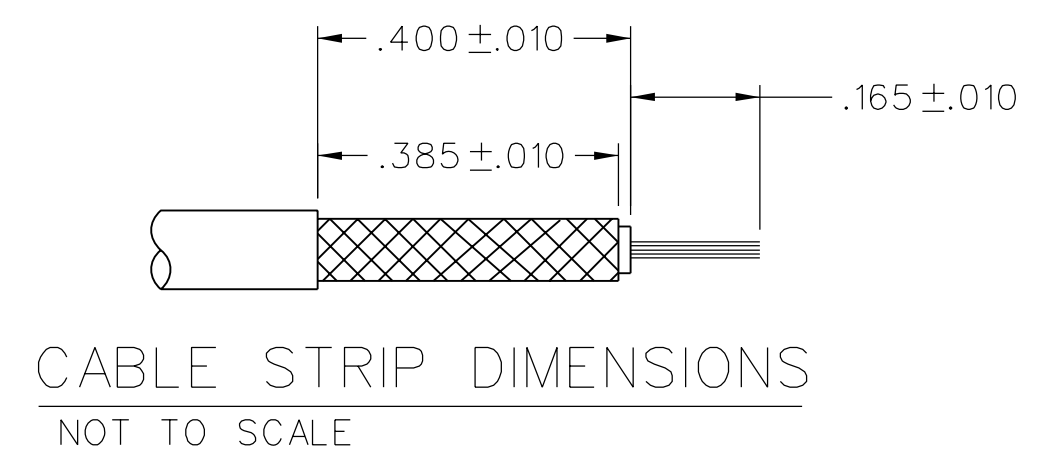
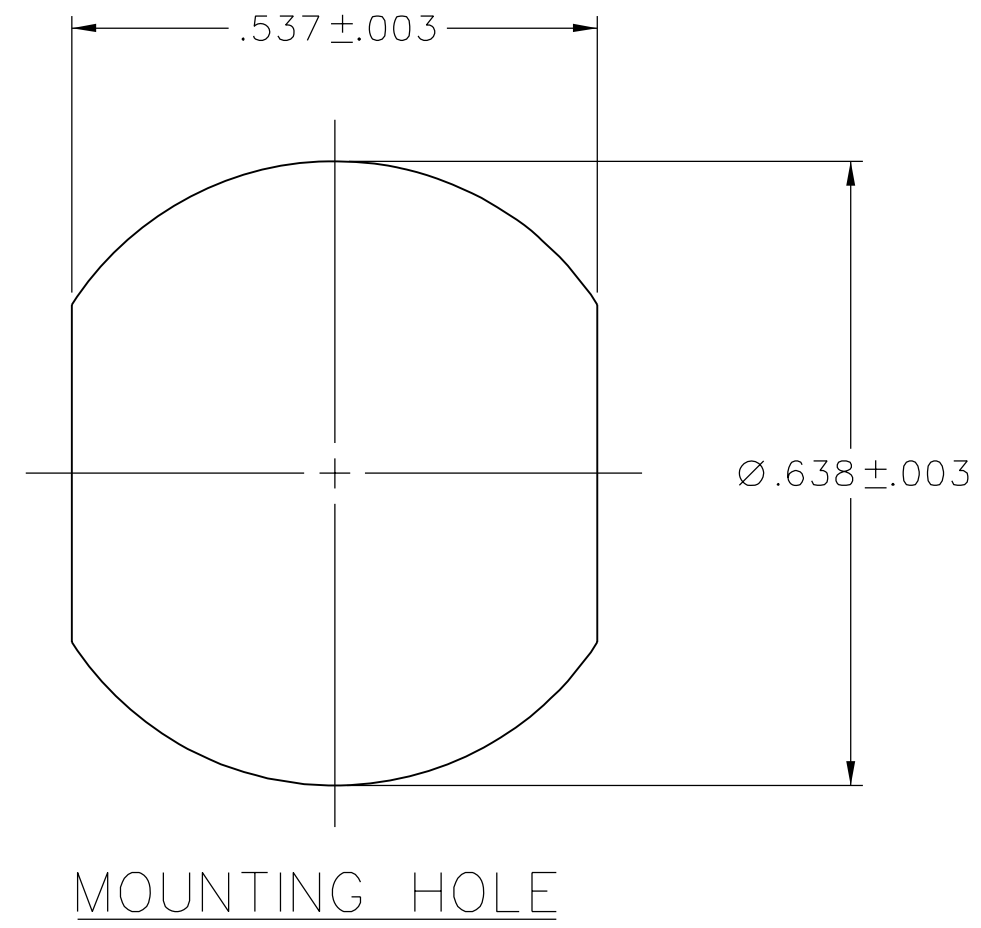
IMPEDANCE: 50 OHMS
 FREQUENCY RANGE: 0-11 GHz
 VSWR: 1.30 MAX AT 0-11 GHz
 WORKING VOLTAGE: 1000 VRMS MAX AT SEA LEVEL
 DIELECTRIC WITHSTANDING VOLTAGE: 2500 VRMS MIN AT SEA LEVEL
 INSULATION RESISTANCE: 5000 MEGOHM MIN
 CONTACT RESISTANCE:
 CENTER CONTACT - INITIAL 1.0 MILLIOHM MAX, AFTER ENVIRONMENTAL 1.5 MILLIOHM MAX
 OUTER CONDUCTOR - INITIAL 0.2 MILLIOHM MAX, AFTER ENVIRONMENTAL NOT APPLICABLE
 BODY TO CABLE - INITIAL .05 MILLIOHM MAX, AFTER ENVIRONMENTAL NOT APPLICABLE
 CORONA LEVEL: 500 VOLTS MIN AT 70,000 FEET
 INSERTION LOSS: .15 dB MAX, TESTED AT 9 GHz
 RF LEAKAGE: -90 dB MIN AT 2 TO 3 GHz
 RF HIGH POTENTIAL WITHSTANDING VOLTAGE: 1500 VRMS AT 4 AND 7 MHz
 THIRD ORDER INTERMODULATION PRODUCT (IMP3): TYPICALLY < -90 dBm
 (TESTED PER IEC GUIDELINES WITH 20W CW INPUTS AT 1930-1990 MHz)

MECHANICAL:

ENGAGE/DISENGAGE TORQUE: 6 IN-LBS MAX
 MATING TORQUE: 7-10 IN-LBS
 COUPLING PROOF TORQUE: NOT APPLICABLE
 COUPLING NUT RETENTION: NOT APPLICABLE
 CONTACT RETENTION: NOT APPLICABLE
 CABLE ACCEPTABILITY: LMR 400, BELDEN 9913
 CABLE HEX CRIMP SIZE: .429
 CONTACT HEX CRIMP SIZE: .116
 CABLE RETENTION: 90 LBS MIN AXIAL FORCE
 DURABILITY: 500 CYCLES MIN

ENVIRONMENTAL:

(MEETS OR EXCEEDS THE APPLICABLE PARAGRAPH OF MIL-PRF-39012)
 THERMAL SHOCK: MIL-STD-202, METHOD 107, CONDITION B, EXCEPT 85°C HIGH TEMP
 OPERATING TEMPERATURE: -65°C TO 165°C
 CORROSION: MIL-STD-202, METHOD 101, CONDITION B
 SHOCK: MIL-STD-202, METHOD 213, CONDITION I
 VIBRATION: MIL-STD-202, METHOD 204, CONDITION B
 MOISTURE RESISTANCE: MIL-STD-202, METHOD 106



CUSTOMER DRAWING

THIS DRAWING TO BE INTERPRETED PER ASME Y 14.5M - 1994

"μ STATION"

COMPANY CONFIDENTIAL

TOLERANCE UNLESS OTHERWISE SPECIFIED	DRAWN BY PAT	DATE 2-15-06	Cinch CONNECTIVITY SOLUTIONS a bel group <p>Cinch Connectivity Solutions P.O. Box 1732 Waseca, MN 56093 1-800-247-8256</p>
DECIMALS _____ mm	CHECKED BY PDW	DATE 4-13-06	
.XXX REF _____	APPROVED BY JRK	DATE 4-13-06	TITLE ASSEMBLY, TYPE N CRIMP BULKHEAD JACK LMR 400, BELDEN 9913
MATL _____	RELEASE DATE 4-17-06	SHEET 2 OF 2	DRAWING NO. D - 138-4349-401/410
FINISH _____	U/M INCH SCALE 5:1		