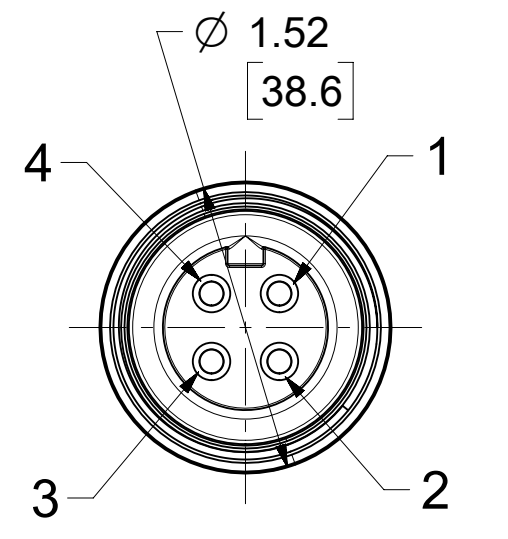
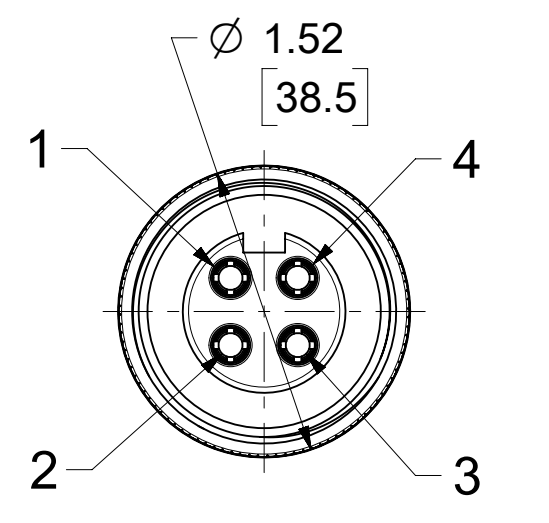
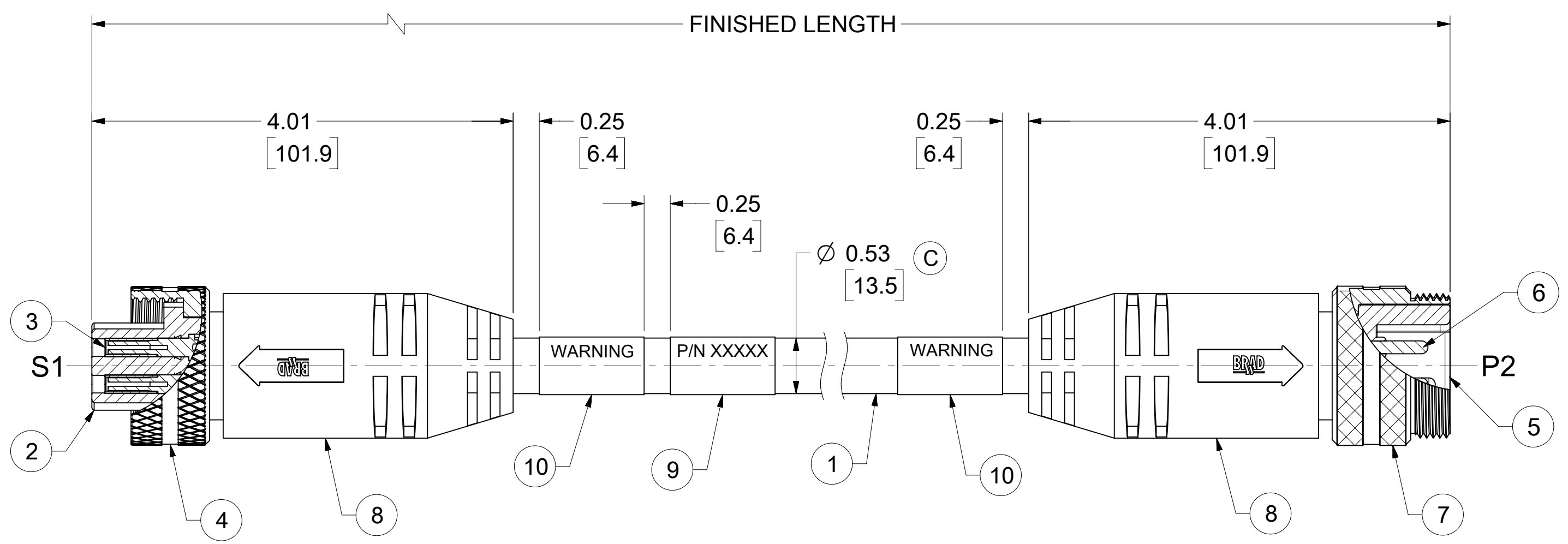
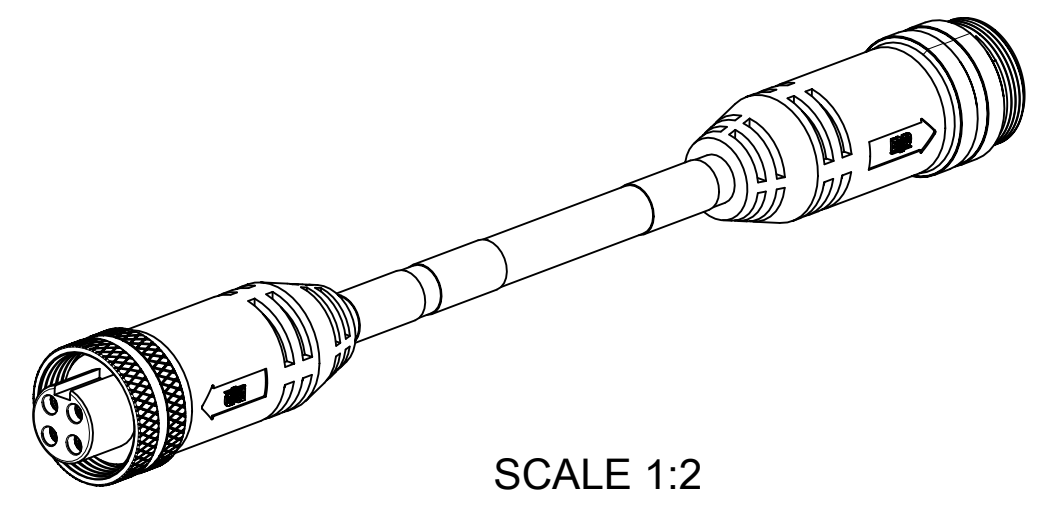


| MATERIAL NO. | ENGINEERING NO. | FINISHED LENGTH |
|--------------|-----------------|-----------------------|
| 1300640453 | CC4030K17M010G | 1M (3 FT 3.37 IN) |
| 1300640515 | CC4030K17M650G | 65M (213 FT 3.06 IN) |
| 1300642118 | CC4030K17T130G | 130M (426 FT 6.11 IN) |

C CABLE LENGTH TOLERANCES

| | |
|--------------------------|-------------------------|
| <.3M [1FT]: | +19mm-0 [+.75in-0] |
| .3 - .9M [1 - 3FT]: | +44.5mm-0 [+1.75in-0] |
| .9 - 1.8M [3 - 6FT]: | +55.6mm-0 [+2.19in-0] |
| 1.8 - 3.7M [6 - 12FT]: | +88.9mm-0 [+3.50in-0] |
| 3.7 - 7.3M [12 - 24FT]: | +165.1mm-0 [+6.50in-0] |
| 7.3-14.6M [24 - 48FT]: | +317.5mm-0 [+12.50in-0] |
| 14.6 - 30.5M [48-100FT]: | +622.3mm-0 [+24.50in-0] |
| OVER 30M [100FT] | +2% OF FINISHED LENGTH |



- NOTES:
1. MATERIAL: AS NOTED
 2. FINISH: AS NOTED
 3. ELECTRICAL:
VOLTAGE: 500V PER IEC60664 **C**
600V PER UL2237
CURRENT: 32A
 4. TEMP RATING: -20°C TO +90°C
 5. PROTECTION: IP67 (WHEN MATED)
 6. UL LISTED FILE: 258922
 7. COUPLING THREAD: 1 3/8"-16 UN
 8. ALL DIMS ARE FOR REFERENCE UNLESS TOLERANCED OR NOTED OTHERWISE

WIRING DIAGRAM

| S1 | | P2 | |
|----|--------------|----|--|
| 1 | BLACK #1 | 1 | |
| 2 | GREEN/YELLOW | 2 | |
| 3 | BLACK #3 | 3 | |
| 4 | BLACK #2 | 4 | |

PART NUMBER LEGEND **C**

CC4030K17M010G

FINISHED LENGTH
M001 = 0.1 METER
M010 = 1.0 METER
M100 = 10.0 METER
T100 = 100 METER

| ITEM | DESCRIPTION | MATERIAL | FINISH |
|------|---------------------|-----------|------------------|
| 10 | WARNING LABEL | VINYL | ORANGE/BLACK |
| 9 | WRAP LABEL | VINYL | BLACK/YELLOW |
| 8 | OVERMOLD | TPE | BLACK |
| 7 | MALE COUPLING NUT | ALUMINIUM | CLEAR ANODIZE |
| 6 | PIN CONTACT | Cu ALLOY | GOLD OVER NICKEL |
| 5 | MALE INSERT | TPE | BLACK |
| 4 | FEMALE COUPLING NUT | ALUMINIUM | CLEAR ANODIZE |
| 3 | SOCKET CONTACT | Cu ALLOY | GOLD OVER NICKEL |
| 2 | FEMALE INSERT | TPE | BLACK |
| 1 | CABLE, #10-4, TC-ER | TPE | BLACK |

| | | | | |
|--|---|-----------------|--|--------------------------------|
| FUNCTIONAL SYMBOLS | THIS DRAWING CONTAINS INFORMATION THAT IS PROPRIETARY TO MOLEX ELECTRONIC TECHNOLOGIES, LLC AND SHOULD NOT BE USED WITHOUT WRITTEN PERMISSION | | CURRENT REV DESC: UPDATED ITEM #2,5,8 WERE PVC, 9&10, WERE PLASTIC FILM, PART NO. LEGEND ADDED MATERIAL TABLE, TOL. TABLE, IEC VOLT & CABLE DIA. | |
| | DIMENSION UNITS | SCALE | EC NO: 709714 | |
| $\frac{F}{A} = 0$ | INCH/MM | 1:1 | DRWN: VHANDI | 2020/05/29 |
| $\frac{F}{C} = 0$ | GENERAL TOLERANCES (UNLESS SPECIFIED) | | CHK'D: RSTONE | 2022/06/08 |
| $\frac{F}{P} = 0$ | | | APPR: BWOODMAN | 2022/06/14 |
| DIVISIONAL SYMBOLS | 4 PLACES | ± | INITIAL REVISION: | |
| | 3 PLACES | ± | DRWN: BRUPERT | 2011/11/09 |
| | 2 PLACES | ± | APPR: BWOODMAN | 2014/09/04 |
| | 1 PLACE | ± | THIRD ANGLE PROJECTION | |
| | 0 PLACES | ± | DRAWING | SERIES |
| | ANGULAR TOL | ± ° | C-SIZE | 130064 |
| DRAFT WHERE APPLICABLE MUST REMAIN WITHIN DIMENSIONS | | MATERIAL NUMBER | | CUSTOMER |
| | | SEE TABLE | | GENERAL MARKET |
| | | DOCUMENT NUMBER | | DOC TYPE DOC PART REVISION |
| | | SD-130064-006 | | PSD 001 C |
| | | SHEET NUMBER | | 1 OF 1 |