

THIS DRAWING IS UNPUBLISHED.

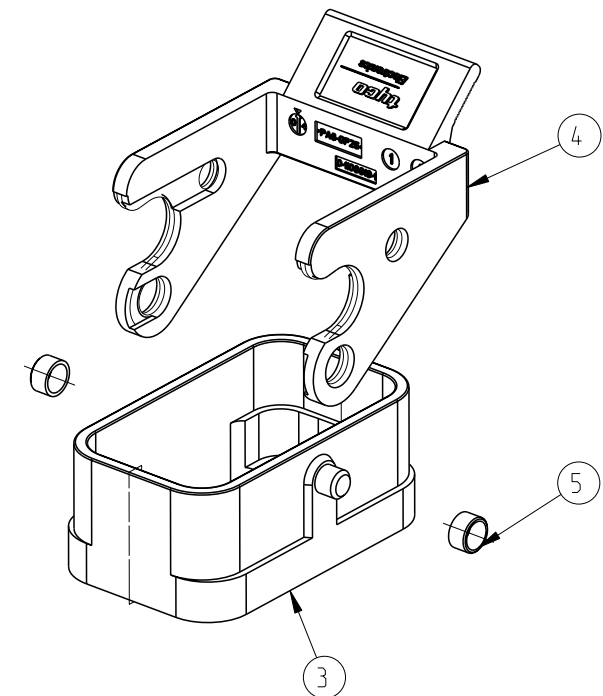
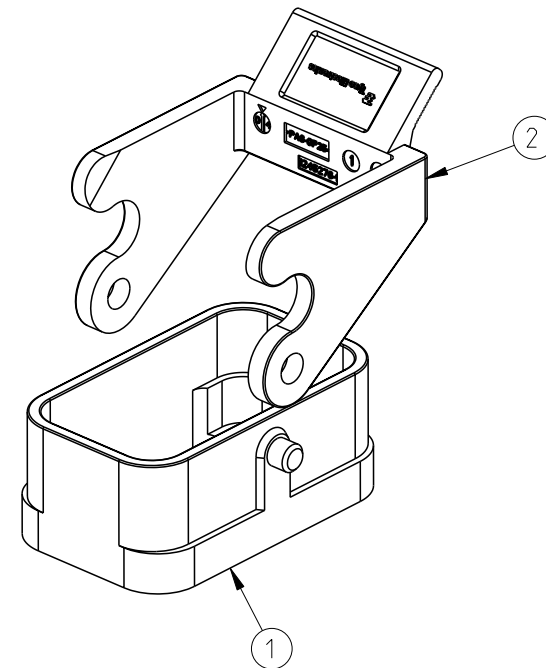
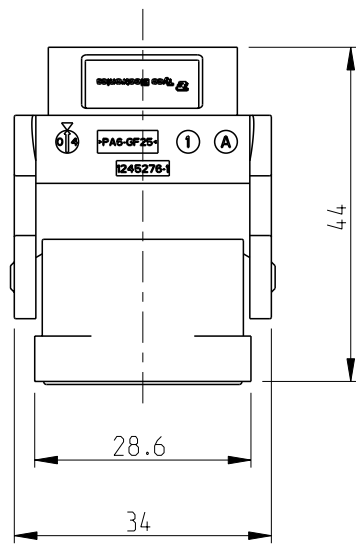
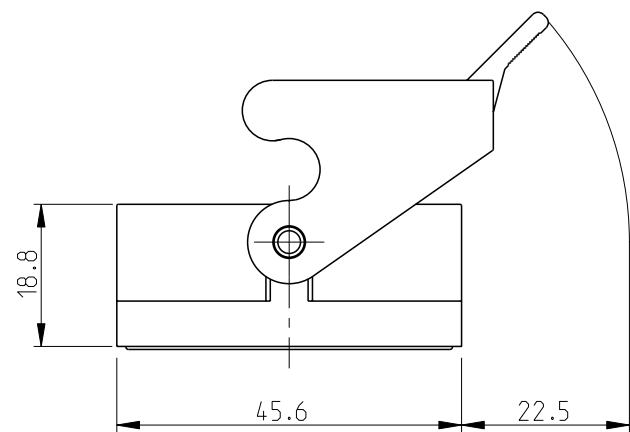
RELEASED FOR PUBLICATION

© COPYRIGHT 2000 BY -

ALL RIGHTS RESERVED.

REVISIONS

P	LTR	DESCRIPTION	DATE	DWN	APVD
	B3	RELEASED AS PER ECR-16-016780	16SEP17	NG	MKO

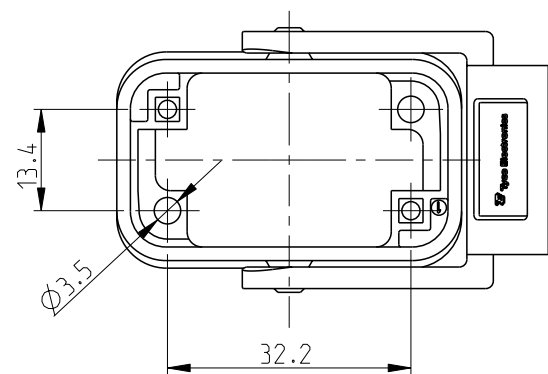


PN 0-1
AS SHOWN

~~PN 0-2~~
AS SHOWN

NOTES

1 PACKAGING
PACKAGING QUANTITY: 5 PIECES



QTY. 0-2	QTY. 0-1	DESCRIPTION	MATERIAL	COLOR	NOTE	ITEM
		2 BUSH	BRASS	-	-	5
		1 SIDE CLIP REINFORCED	-	-	-	4
		1 SURFACE MOUNTED HOUSING BOTTOM ENTRY	PA6.6-GF25	SILVER	EMV-SHIELDING	3
		1 SIDE CLIP	PA6.6-GF25	BLACK		2
		1 SURFACE MOUNTED HOUSING BOTTOM ENTRY	PA6.6-GF25	BLACK		1

HG-Q AG-LB

HG-EMV-Q.AG-LB

THIS DRAWING IS A CONTROLLED DOCUMENT.		DWN Schneider 18.11.04	TE Connectivity NAME ASSY SURFACE MOUNTED HOUSING SERIES HG-Q					
DIMENSIONS: mm		CHK Schneider 18.11.04						
TOLERANCES UNLESS OTHERWISE SPECIFIED: n.ISO 8015: n.ISO 2768-MH-E: n.DIN 16901-120		APVD T.Schnurpfeil 18.11.04	PRODUCT SPEC 108-74XXX					
0 PLC ± 1 PLC ± 2 PLC ± 3 PLC ± 4 PLC ± ANGLES ± FINISH		APPLICATION SPEC 114-74XXX WEIGHT 0.XXX KG	SIZE A3	CAGE CODE 00779	DRAWING NO C-1103072	RESTRICTED TO -		
MATERIAL 1		FINISH -3		CUSTOMER DRAWING		SCALE 1:1	SHEET 1 OF 1	REV B3