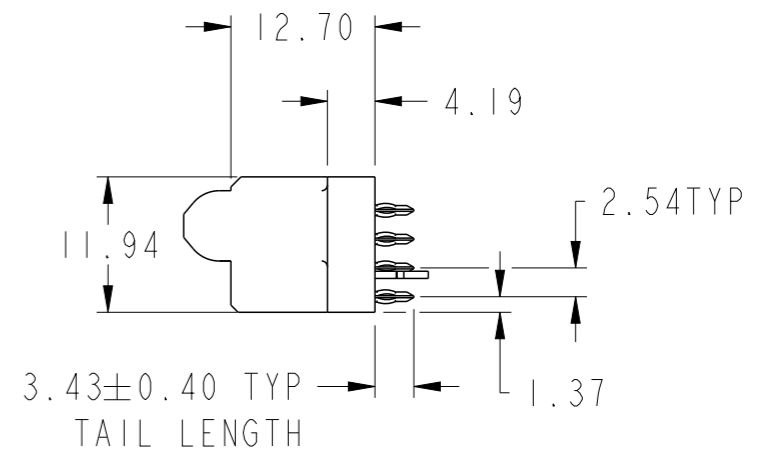
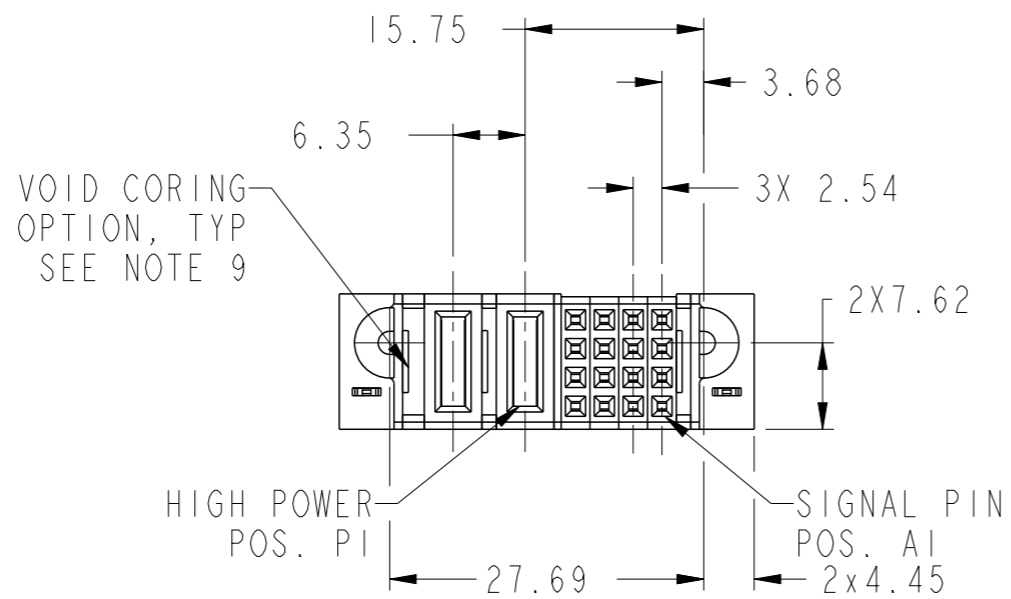
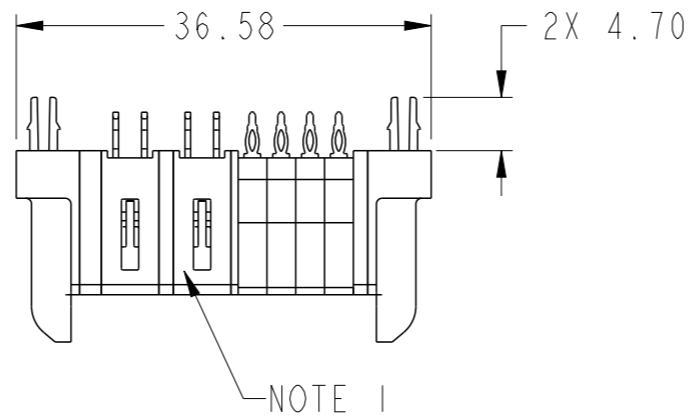
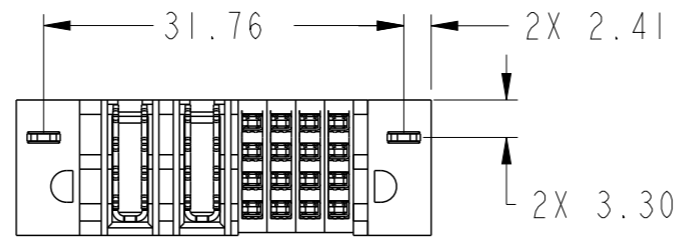


PRODUCT NUMBER SEE SHEET 2

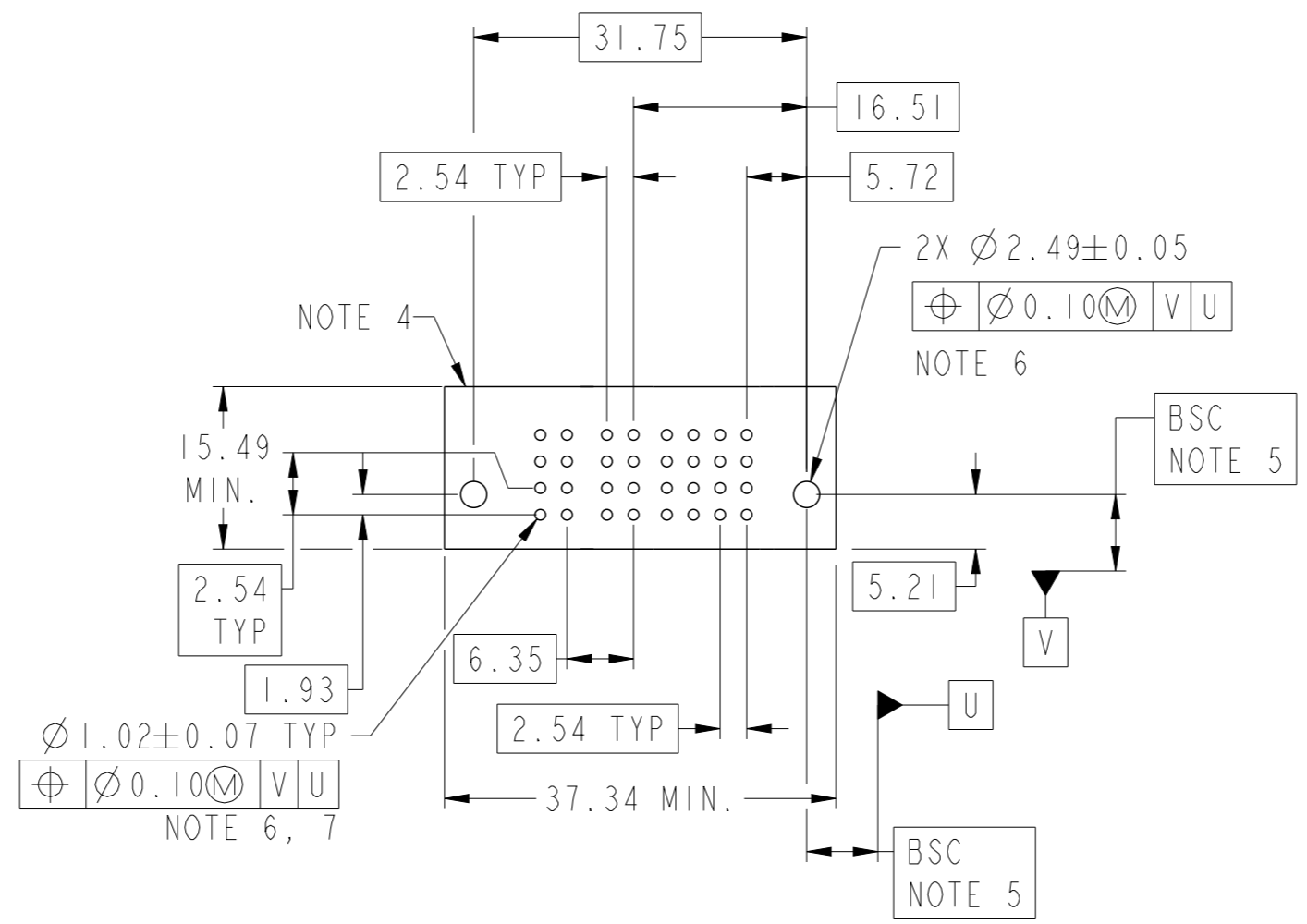


spec ref		dr	Helen Zhang	2013/06/13	projection	MM	size	A3	scale	3:2	
tolerance std		eng	Xie Bob	2013/08/15			ecn no		-		
ASME Y14.5		chr	Li-He	2013/08/15			rel level		Released		
TOLERANCES UNLESS OTHERWISE SPECIFIED surface <input checked="" type="checkbox"/> linear		appr	Pei-Ming Zheng	2013/08/15	product family		PowerBlade+		rev		
		0.X ±0.50 0.XX ±0.25 0.XXX ±0.10				16S + 2HP VT PF RECEPTACLE		dwg no 10106131-2004201		A	
ASME Y14.5		angular		0° ±2°		www.fci.com		cat. no.		Product - Customer Drw	

Copyright FCI. FCI

PRODUCT NO.	ROWS	HP			SIGNAL				
		E1	P2	P1	4	3	2	1	E2
10106131-2004201LF	DCBA	HA	HG	HG	F	F	F	F	HA

CODE	DESCRIPTION
F	STD SIGNAL CONTACT
HA	METAL HOLD DOWN
HG	STD HIGH POWER CONTACT (3.43)



dr	Helen Zhang	2013/06/13	projection	MM	size	A3	scale	3:2	
eng	Xie Bob	2013/08/15			ecn no				
chr	Li-He	2013/08/15			-				
appr	Pei-Ming Zheng	2013/08/15	product family	PowerBlade+	rel level				
					Released				
		16S + 2HP			dwg no		10106131-2004201		rev
		VT PF RECEPTACLE							A
www.fci.com		cat. no.			Product - Customer Drw			sheet 2 of 3	

Copyright FCI.

A

B

C

D

A

B

C

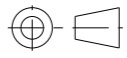
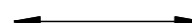

D

NOTES:

- 1) "FCI", PART NUMBER AND DATE CODE TO BE MARKED ON THIS SURFACE.
THE P/N CAN BE OMITTED IF THERE IS NOT ENOUGH SPACE ON THIS SURFACE.
- 2) MATERIALS:
-HOUSING - GLASS FILLED WITH HIGH TEMP THERMOPLASTIC, UL94V-0.
-SIGNAL CONTACT - COPPER ALLOY.
-POWER CONTACT - HIGH CONDUCTIVITY COPPER ALLOY.
- 3) PLATING SPECIFICATION REFER TO FCI 10123565
- 4) DENOTES CONNECTOR KEEP OUT ZONE.
- 5) DATUM AND BASIC DIMENSIONS WERE ESTABLISHED BY CUSTOMER.
- 6) ALL HOLE DIAMETERS ARE FINISHED HOLE SIZES.
- 7) 1.15 ± 0.025 MM DRILLED HOLE PLATED WITH 0.00762MM MIN Sn
OVER 0.0254-0.0762MM Cu PLATING TO ACHIEVE A 1.02 ± 0.07 MM HOLE.
- 8) PRODUCT SPECIFICATION REFER TO FCI GS-12-658.
APPLICATION SPECIFICATION REFER TO FCI GS-20-141.
PRODUCT PACKAGED IN TRAYS, REFER TO FCI GS-14-1502.
- 9) THE VOID CORING IN BETWEEN POWER MODULES, SIGNAL
MODULES AND END MODULES ARE OPTIONAL AND THE SHAPE
MAY BE DIFFERENT FOR OPTIMIZE THE MOLDING PROCESS. THE
VOID CORING WILL NOT EFFECT TO PRODUCT FUNCTION.



Copyright FCI.

dr	Helen Zhang	2013/06/13	projection 	MM 	size	A3	scale	1:1
eng	Xie Bob	2013/08/15			ecn no	-		
chr	Li-He	2013/08/15			rel level	Released		
appr	Pei-Ming Zheng	2013/08/15			product family	PowerBlade+		
		title 16S + 2HP VT PF RECEPTACLE		dwg no 10106131-2004201	rev A			
www.fci.com		cat. no.	Product - Customer Drw		sheet 3 of 3			