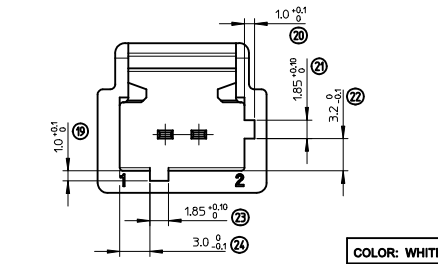
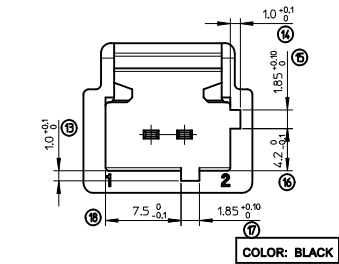
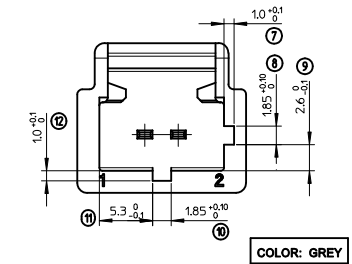
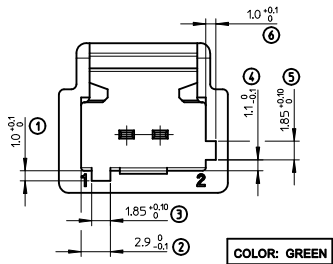
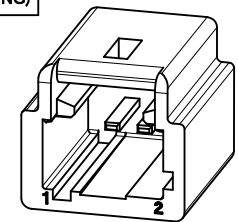


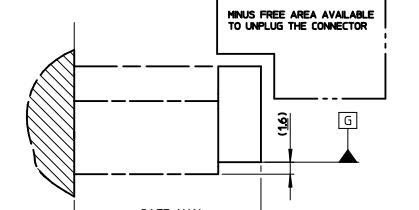
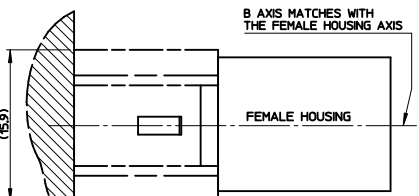
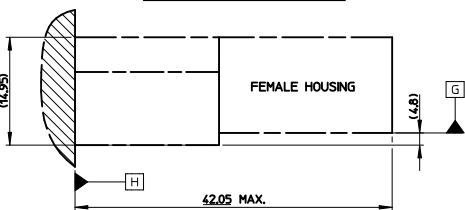
CODINGS



ISO VIEW  
(GREEN CODING)

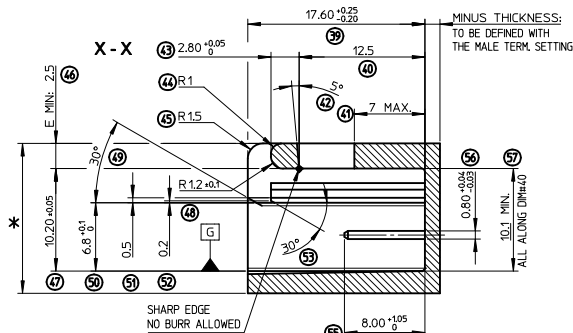
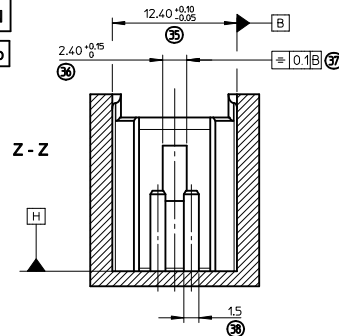
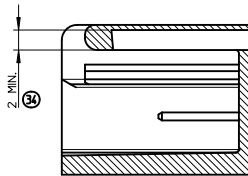


OVERALL DIMENSIONS

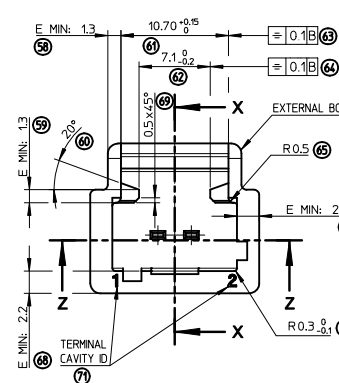


HEADER'S DEFINITION  
GREEN CODING REPRESENTED

X-X  
VARIABLE



MINUS THICKNESS: TO BE DEFINED WITH THE MALE TERM. SETTING



NOTES:

MALE TERMINALS:

- MALE TERMINALS RESISTANCE: 100N MIN IN MALE TERM. AXIS.

- MATERIAL: COPPER, COPPER ALLOY OR BRASS.

- FINISHES: TIN PLATED 2µ MIN.

HEADER:

- RADII WITHOUT DIM: R=0.3MM

- E MIN: MINIMUM MATERIAL THICKNESS RECOMMENDED FOR SPECIFIED MATERIAL.

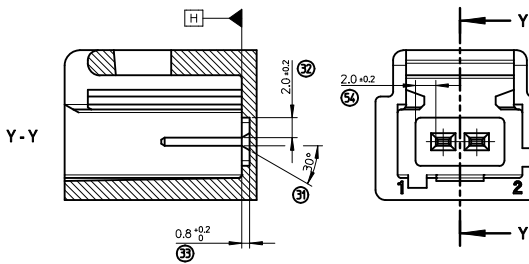
- MATERIAL: PBT (RECOMMENDED) (70)

\* WARPING: 0.35MM MAX. ACCEPTED ON "H" DIM. WITH ANOTHER EXTERNAL SHAPE AS DRAWN WHEN PLUGGED.

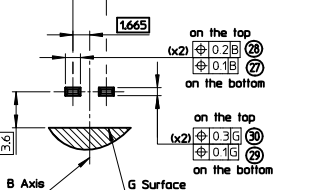
MATES WITH:

- MOLEX CONNECTORS 98817-102X

MALE TERMINALS VARIABLE SETTING



MALE TERMINALS SETTING

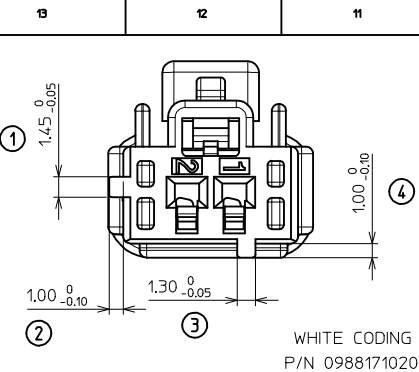


REV.	1	71		
	FIRST	LAST	DELETED	SUPERSEDED

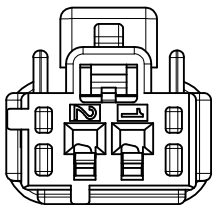
INSPECTION NUMBERS

<p>PRINT 1ST RELEASE</p> <p>EC NO: G2012-0179</p> <p>DRWNG: GDESBRUERES 2012/04/18</p> <p>CHKD: DJUCLOS 2012/04/18</p> <p>APPROV: PLESSIS 2012/04/23</p>	<p>QUALITY SYMBOLS</p>	<p>GENERAL TOLERANCES (UNLESS SPECIFIED)</p> <table border="1"> <thead> <tr> <th></th> <th>mm</th> <th>INCH</th> </tr> </thead> <tbody> <tr> <td>4 PLACES</td> <td>± 0.15</td> <td>± 0.006</td> </tr> <tr> <td>3 PLACES</td> <td>± 0.1</td> <td>± 0.004</td> </tr> <tr> <td>2 PLACES</td> <td>± 0.1</td> <td>± 0.004</td> </tr> <tr> <td>1 PLACE</td> <td>± 0.1</td> <td>± 0.004</td> </tr> <tr> <td>0 PLACE</td> <td>± 0.1</td> <td>± 0.004</td> </tr> </tbody> </table> <p>ANGULAR ± 2 °</p> <p>DRAFT WHERE APPLICABLE MUST REMAIN WITHIN DIMENSIONS</p>		mm	INCH	4 PLACES	± 0.15	± 0.006	3 PLACES	± 0.1	± 0.004	2 PLACES	± 0.1	± 0.004	1 PLACE	± 0.1	± 0.004	0 PLACE	± 0.1	± 0.004	<p>DIMENSION STYLE</p> <p><b>MM ONLY</b></p>	<p>SCALE</p> <p>4:1</p>	<p>DESIGN UNITS</p> <p>METRIC</p>	<p>FIRST ANGLE PROJECTION</p>
			mm	INCH																				
		4 PLACES	± 0.15	± 0.006																				
3 PLACES	± 0.1	± 0.004																						
2 PLACES	± 0.1	± 0.004																						
1 PLACE	± 0.1	± 0.004																						
0 PLACE	± 0.1	± 0.004																						
			<p>DRAWN BY</p> <p>GDESBRUERES</p> <p>DATE</p> <p>2012/04/18</p>	<p>CHECKED BY</p> <p>JUCLOS</p> <p>DATE</p> <p>2012/04/18</p>	<p>APPROVED BY</p> <p>OPLESSIS</p> <p>DATE</p> <p>2012/04/23</p>	<p>TITLE</p> <p><b>2W INTERFACE 15 TERM.</b> <b>(FOR FEMALE HOUSING)</b></p>																		
			<p>MATERIAL NO.</p> <p>N/A</p>			<p>SHEET NO.</p> <p>1 OF 1</p>																		

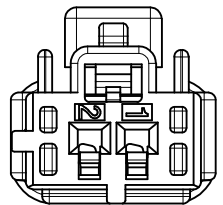
THIS DRAWING CONTAINS INFORMATION THAT IS PROPRIETARY TO MOLEX INCORPORATED AND SHOULD NOT BE USED WITHOUT WRITTEN PERMISSION



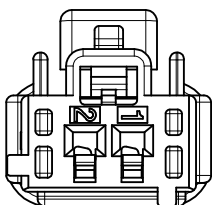
WHITE CODING  
P/N 0988171020



BLACK CODING  
P/N 0988171021



GREY CODING  
P/N 0988171028

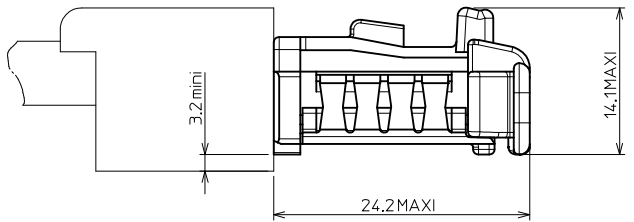
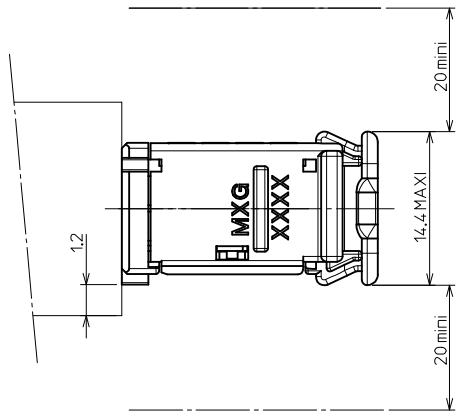


GREEN CODING  
P/N 0988171025

CODING 4:1

HANDLING AREA

AREA REQUIRED TO MATE AND UNMATE THE CONNECTOR



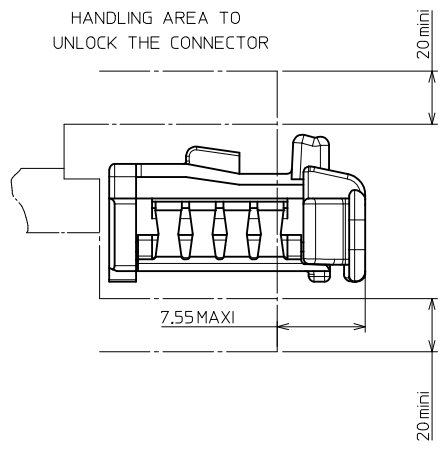
NOTE : 1 - The using conditions of the hinge are shown in the MOLEX specification n°AS-98821-001.

- 2 - Female terminal used : SCC RCPT TERM 1.5mm  
 - Range 1 : 0988971109 (0.22 mm<sup>2</sup> to 2x0.22 mm<sup>2</sup>)  
 - Range 2 : 0988971119 (0.5 mm<sup>2</sup> to 1 mm<sup>2</sup> included)  
 - Range 3 : 0988971129 (2x0.5 mm<sup>2</sup> to 2 mm<sup>2</sup> included)

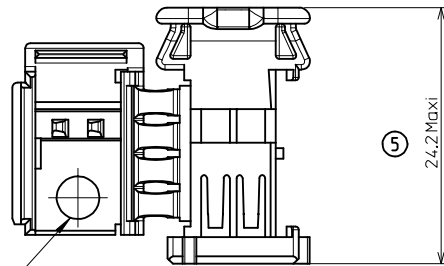
3 - Female connector will mate with male connector P/N 098822102x.

AREA REQUIRED WHEN THE CONNECTOR IS MATED

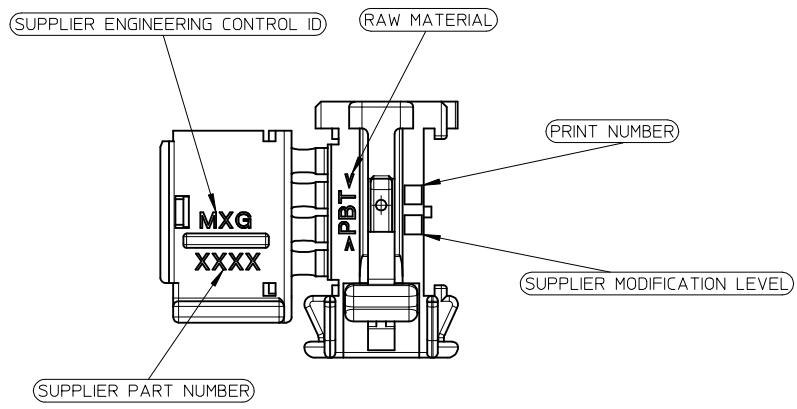
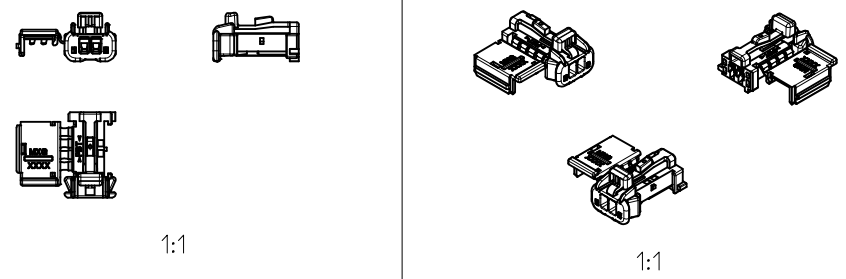
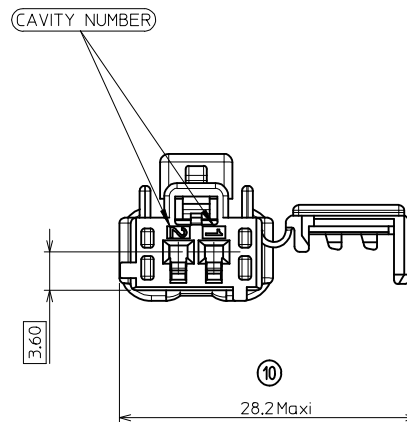
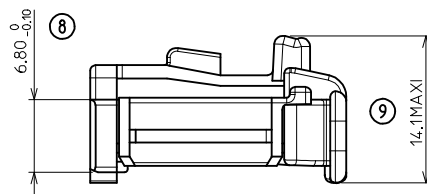
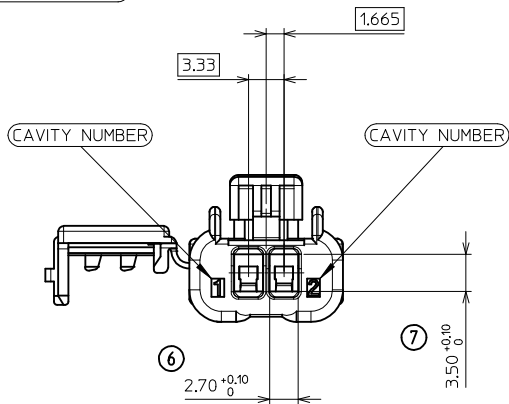
HANDLING AREA TO UNLOCK THE CONNECTOR



<b>FIRST RELEASE</b> EC NO: G2007-0386 DRAWN: LPOUCHAUD 2008/03/10 CHKD: YIGEL 2008/03/10 APPR: LSTICKEIR 2008/03/10	QUALITY SYMBOLS 	GENERAL TOLERANCES (UNLESS SPECIFIED)		DIMENSION STYLE <b>MM ONLY</b>	SCALE <b>3:1</b>	DESIGN UNITS <b>METRIC</b>	THIRD ANGLE PROJECTION	
		4 PLACES ± --- ± ---	mm INCH	DRAWN BY LPOUCHAUD	DATE 2008/01/17	TITLE <b>NSCC RCPT HSG 1.5 2CKT</b>		
		3 PLACES ± --- ± ---		CHECKED BY YIGEL	DATE 2008/01/17	MOLEX INCORPORATED		
		2 PLACES ± 0.05 ± --- 1 PLACE ± 0.1 ± --- ANGULAR ± 1°		APPROVED BY LSTICKEIR	DATE 2008/01/25	MATERIAL NO. <b>SEE CHART</b>	DOCUMENT NO. <b>SD-98817-001</b>	SHEET NO. <b>1 OF 2</b>
DRAFT WHERE APPLICABLE MUST REMAIN WITHIN DIMENSIONS		THIS DRAWING CONTAINS INFORMATION THAT IS PROPRIETARY TO MOLEX INCORPORATED AND SHOULD NOT BE USED WITHOUT WRITTEN PERMISSION						



DATUM MONTH/YEAR



GREEN CODING (P/N 0988171025) IS SHOWN.

NSCC Rcpt Hsg 1.5 2CKT	0988171028	Grey	POLYESTER (PBT)	1.723 g			
	0988171025	Green					
	0988171021	Black					
	0988171020	White					
Description		Part-Number	Color	Raw Material	Weight effective		
<b>FIRST RELEASE</b> EC NO: G2007-0386 DRWN: LPOUCHAUD 2008/03/10 CHKD: YIGEL 2008/03/10 APPR: LSTICKEIR 2008/03/10	QUALITY SYMBOLS 	GENERAL TOLERANCES (UNLESS SPECIFIED)		DIMENSION STYLE	SCALE	DESIGN UNITS	THIRD ANGLE PROJECTION
		4 PLACES ± --- ± --- 3 PLACES ± --- ± --- 2 PLACES ± 0.05 ± --- 1 PLACE ± 0.1 ± --- ANGULAR ± 1 °	mm INCH ± --- ± --- ± 0.05 ± --- ± 0.1 ± ---	<b>MM ONLY</b>	<b>3:1</b>	<b>METRIC</b>	
A REV	DESCRIPTION	DRAWN BY LPOUCHAUD	DATE 2008/01/17	TITLE NSCC RCPT HSG 1.5 2CKT			
		CHECKED BY YIGEL	DATE 2008/01/17	APPROVED BY LSTICKEIR		DATE 2008/01/25	
		MATERIAL NO.		<b>MOLEX INCORPORATED</b>			
		SEE CHART		DOCUMENT NO. SD-98817-001			
		DRAFT WHERE APPLICABLE MUST REMAIN WITHIN DIMENSIONS		SHEET NO. 2 OF 2			
		THIS DRAWING CONTAINS INFORMATION THAT IS PROPRIETARY TO MOLEX INCORPORATED AND SHOULD NOT BE USED WITHOUT WRITTEN PERMISSION					