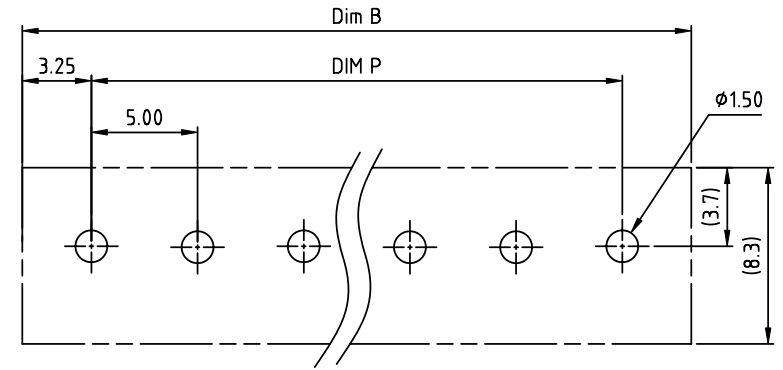
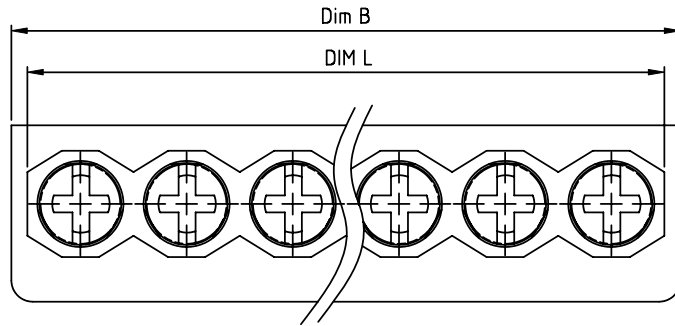
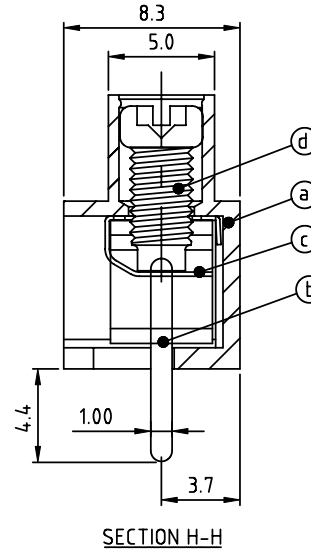
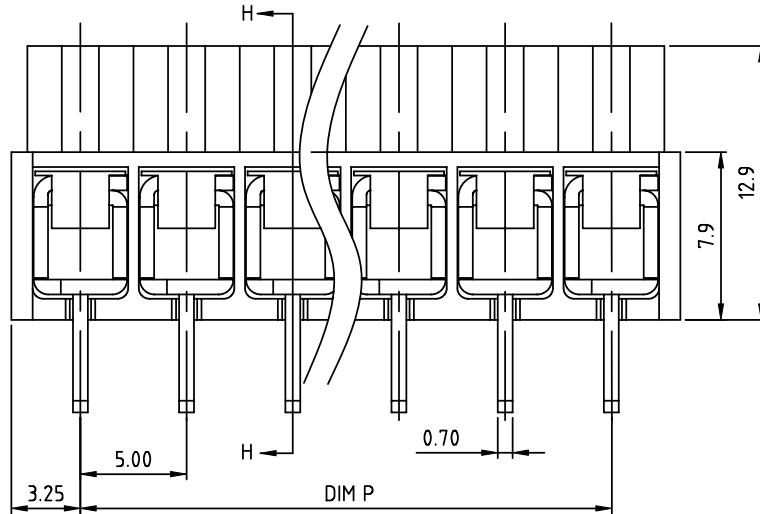


PRODUCT NUMBER	PITCH
T4xx04x000JOG	5.00 mm



RECOMMENDED P.C.B LAYOUT  
TOP VIEW



SECTION H-H

Material:

- Item ① Insulator (housing): Thermoplastic (UL 94V-0)
- Item ② Terminal: Brass, Tin plated
- Item ③ Wire guard: Stainless steel
- Item ④ Terminal screw: Steel Zinc plating "+/-" combination type

Electrical cULus/VDE

- Voltage rating: 300VAC/450VAC
- Current rating: 10A/17.5A
- Wire range: 0.75-4.0mm<sup>2</sup>
- Solid wire (AWG): 12-20
- Stranded wire (AWG): 12-20
- Torque: 3.5Lb-In/0.4Nm
- Screw: M3
- Wire strip length: 6-7mm
- Withstanding Voltage: 1.6KV/2.5KV
- Operating temperature: -40°C to +115°C
- Soldering temperature: 260°C ± 5°C/5 Sec
- Safety Approval:

N = Number of poles  
Dim L = N x 5.0  
Dim P = (N - 1) x 5.0  
Dim B = N x 5.0 + 1.5

poles	Dim L	Dim P
2-6p	±0.20	±0.15
7-12p	±0.25	±0.20
13-18p	±0.30	±0.25
19-24p	±0.40	±0.30

PART NO.: T4 xx 04 x 0 00J0 G

Solid block	Body Color	RoHS compliant
No. of poles	0 Black (RAL9005)	(lead < 4%)
02 2 poles	2 Red (RAL3001/D)	In copper Alloy
03 3 poles	3 Orange (RAL2011/P)	
...	4 Yellow (RAL1018/A)	
24 24 poles	5 Green (RAL6018/T)	
	6 Blue (RAL5015/A)	
	8 Grey (RAL7035/D)	
	9 White (RAL1102)	
	C Green (RAL6018/U)	

mat'l. code	surface ASME Y14.5 ✓	tolerance ASME Y14.5	projection 	product family TERMINAL BLOCK		
ltr	ecn	no	dr	date	tolerances unless otherwise specified	title TERMINAL BLOCK
					angles 	WIRE PROTECTOR, 180D WIRE INLET, SOLID BLOCK
					X ± 0.5	scale
					X.X ± 0.3	MM
					X* ± 1"	X.XX ± 0.1
			dr	EVIN ZHONG	040114	scale
			enr	EVIN ZHONG	040114	FCI
			chr	HANKE FENG	040114	dwg no
			appd	SHI JUN	040114	sheet 1 of 1
						size
						T4xx04x000JOG
						A4
						type
						CUSTOMER Drawing
sheet index	revision	A				
	sheet	1				