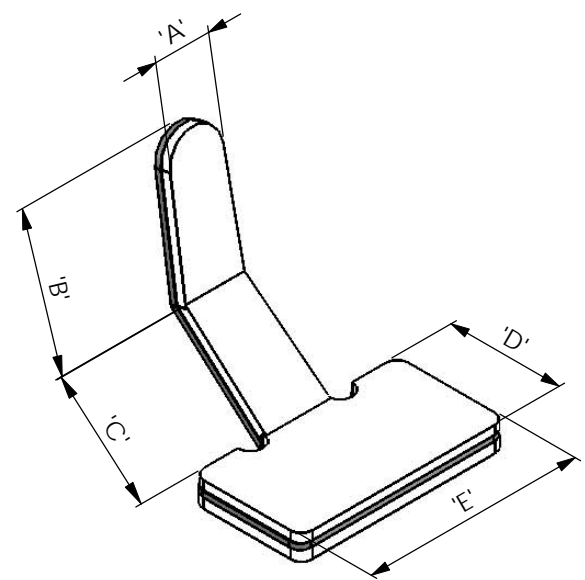
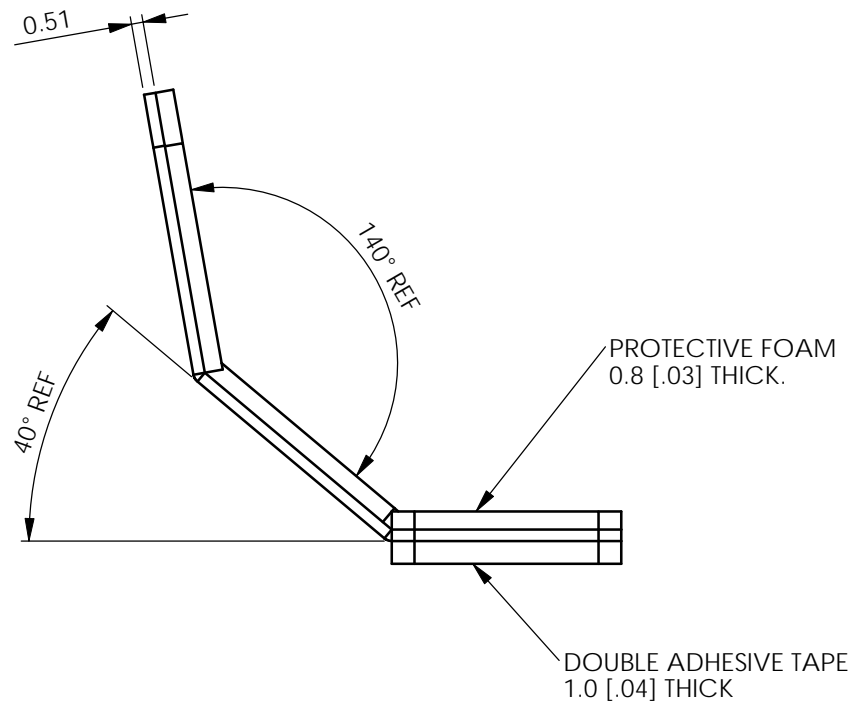


REV.	MODIFICATION.	DATE	DRN
01	ECN 04-233	15/12/04	NJB
02	ECN 06-057	16/03/06	OW
03	CO2010951	08/07/10	SF



NOTES:

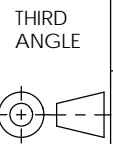
- MATERIAL: ALUMINIUM(RMS-194)FOAM COATING (RMS-314) ADHESIVE TAPE(RMS-093)

ALTERNATE UNITS FOR REFERENCE ONLY

INFORMATION CONTAINED IN THIS DOCUMENT IS CONFIDENTIAL TO RICHCO INTERNATIONAL Co. Ltd. AND MAY NOT BE DISCLOSED OR REPRODUCED IN WHOLE OR PART WITHOUT THEIR WRITTEN CONSENT.

RICHCO, INC.
WWW.RICHCO-INC.COM

ALL DIMENSIONS IN mm
GENERAL TOLERANCES ±0.25
UNLESS OTHERWISE STATED
1 DECIMAL PLACE ±
2 DECIMAL PLACES ±
ANGULAR ±1°



MATERIAL: SEE NOTES
COLOUR: GREY COATED

DESCRIPTION: PLASTIC FOAM COATED CLIP
PART No: See Table

DRG No: 04-186
NPR No:
SHEET SIZE A4

DRN NJB	DATE 15/12/04	CHKD NBR	DATE 15/12/04	SCALE NTS	SHEET No. 1 OF 1
------------	------------------	-------------	------------------	--------------	---------------------

PART NUMBER	A	B	C	D	E
PFC-25M	4.8[0.188]	12.55[0.494]	11.10[0.437]	10.10[0.397]	19.10[0.751]
PFC-50M	5.20[0.204]	14.55[0.572]	14.10[0.555]	14.05[0.553]	24.95[0.982]