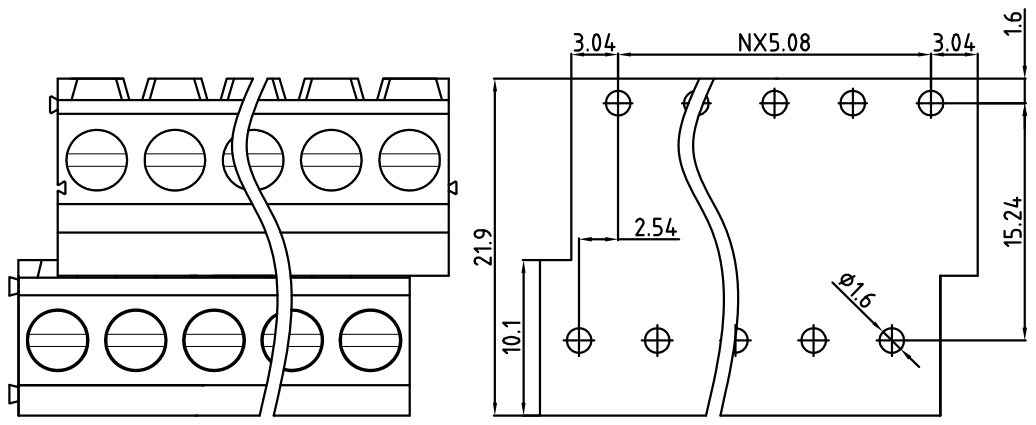


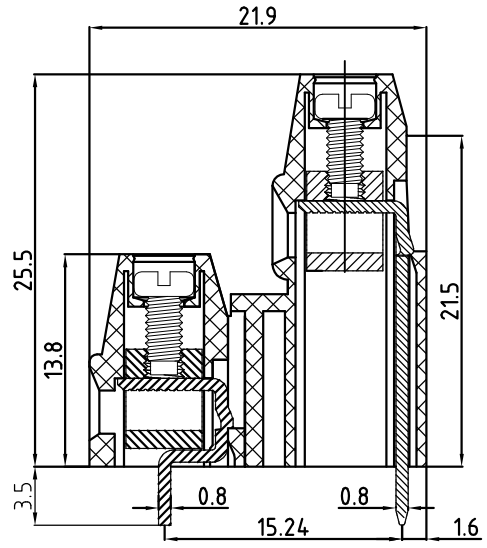
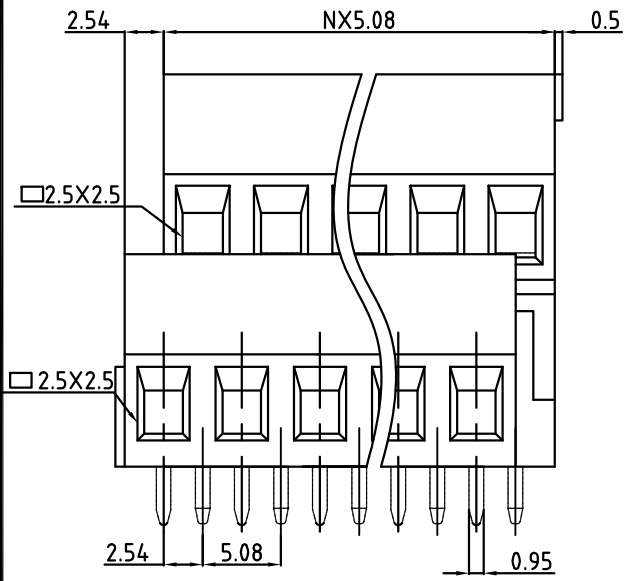
Transfer or duplication of this document as well as the utilisation or communication of its content are not permitted unless express consent is granted. Violations give rise to claims for damages. All rights reserved in case of patent, utility model or design patent registrations.



N=Number of contacts

P.C.B. LAYOUT

Technical Data:  
 Electrical  
 Pitch: 5.08mm  
 Voltage rating: 300V  
 Current rating: 16 Amps  
 Contact resistance: 20mΩ(max)  
 Withstanding Voltage: 2500VAC(1min) Test time=60sec/1pcs  
 Wire range: 12-30AWG  
 Wire strip length: 6-7mm  
 Mechanical:  
 Torque: 4.5kgf.cm/M2.5  
 Operating temperature: -40°C to +105°C  
 Soldering temperature  
 Temperature= 250°C±10°C /5 seconds max  
 Safety approval:   
 RoHS Compliance



Part No.: **OSTYLXX4150**

|              |                     |
|--------------|---------------------|
| No. of Poles | COLOR               |
| 02 2 Poles   | 0: Black            |
| 03 3 Poles   | 2: Red              |
| ...          | 3: Orange           |
| 24 24 Poles  | 4: Yellow           |
|              | 5: Green (Standard) |
|              | 6: Blue             |
|              | 8: Grey             |

Nonstandard colors  
Mins could apply

| 5    | Screw          | Steel / M2.5               | Cr3+ plated   | 2xN       |
|------|----------------|----------------------------|---------------|-----------|
| 4    | Contact        | Copper Alloy               | Ni plated     | 2xN       |
| 3    | Short Terminal | Copper Alloy               | Tin plated    | 1xN       |
| 2    | Long Terminal  | Copper Alloy               | Tin plated    | 1xN       |
| 1    | Body           | PA66 UL94V-0               |               | 2         |
| ITEM | NAME OF PART   | MATERIAL                   | NOTES         | Q'TY      |
| DWG. | DATE           | UNITS: MM                  | SHEET: 1 OF 1 | Tolerance |
| CHK. | DATE           | SCALE: NONE 3:1 ( : )      | REV.: A       | X. ±0.50  |
| APP. | DATE           | TITLE: OSTYL SERIES 5.08MM |               | X.X ±0.30 |
|      |                | PART NO. OSTYLXX4150       |               | X* ±0.10  |
|      |                | DWG NO. OSTYLXX4150.DWG    |               | X° ±1°    |

| REV | △ | SIGN | DESCRIPTION | CHK. | DATE |
|-----|---|------|-------------|------|------|
|     |   |      |             |      |      |



ON-SHORE TECHNOLOGY, INC.