



DATE: _____ LOCATION: _____

TYPE: _____ PROJECT: _____

CATALOG #: _____

LV SERIES

HEAVY DUTY KEY SWITCH

FEATURES

- Attractive brushed stainless steel finish
- Mounts to standard single-gang switch box (not provided)
- Low Voltage Class 2 device
- Two keys provided
- Tactile response for On/Off contacts
- Compatible for use with HCS devices such as; NXCI, NXDCIO, NX and CX Lighting Control Panels and PowerHUBB™ Nodes



RELATED PRODUCTS

- Ø [NX Contact Closure Interface](#)
- Ø [NX Dry Contact Module](#)
- Ø [NX Lighting Control Panels](#)
- Ø [CX Lighting Control Panels](#)
- Ø [PowerHUBB Nodes](#)

SPECIFICATIONS

CONSTRUCTION

- Hubbell type 302 stainless plate, barrel type key lock switch
- 2.8"W x 3.55"H x 1.7"D
- 5.0 oz
- Brushed Stainless Steel

MOUNTING

- Mounting single-gang standard switch box, Raco 500 series or equal

ELECTRICAL

- Electrical Rating: 24 VDC, 4 Amp Maximum current
- Electrical Connection: Flying leads, 4 ea. 20 AWG

OPERATION

- Key Action: Three position, center neutral, spring loaded right and left action (Key removable in center neutral position only)

OPERATION (CONTINUED)

- Operating Temperature: 32° to 122°F (0° to 50°C)
- Operating Environment: Indoor use only, relative humidity (non-condensing) 10%-90%

WARRANTY

- 5 year warranty
- See [HLI Standard Warranty](#) for additional information

ORDERING GUIDE

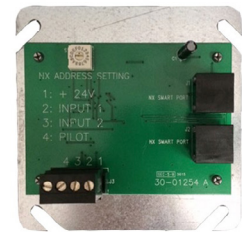
Example: LVSKEY-3M-SS

CATALOG # _____

LVSKEY	3	M	SS
Model	Position	Type	Color
LVSKEY Low Voltage Key Switch	3	M Momentary	SS Stainless Steel

Accessories

- NXCI Contact interface module, for Cat5 NX Port connection

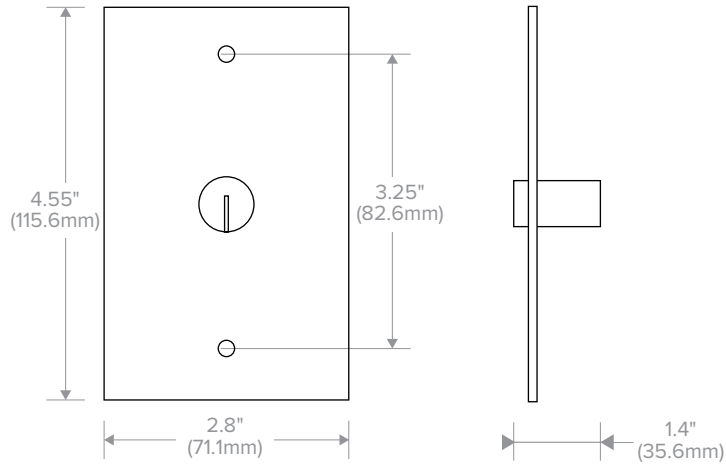


NXCI

LV SERIES

HEAVY DUTY KEY SWITCH

DIMENSIONS



ADDITIONAL INFORMATION

Wiring Diagrams

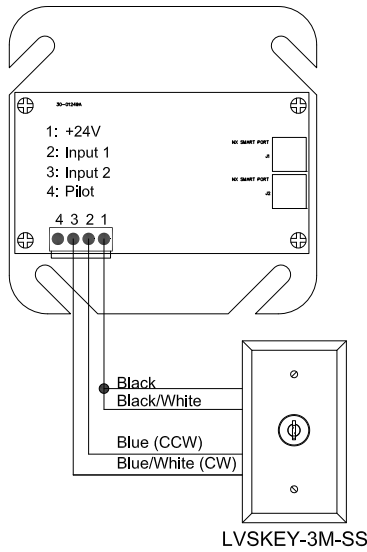


Figure 1: NXCI Contact Interface Module

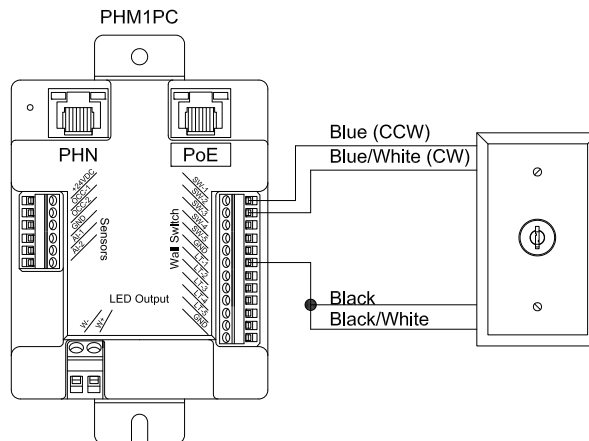


Figure 2: PowerHUBB Node Inputs

LV SERIES

HEAVY DUTY KEY SWITCH

ADDITIONAL INFORMATION

Wiring Diagrams

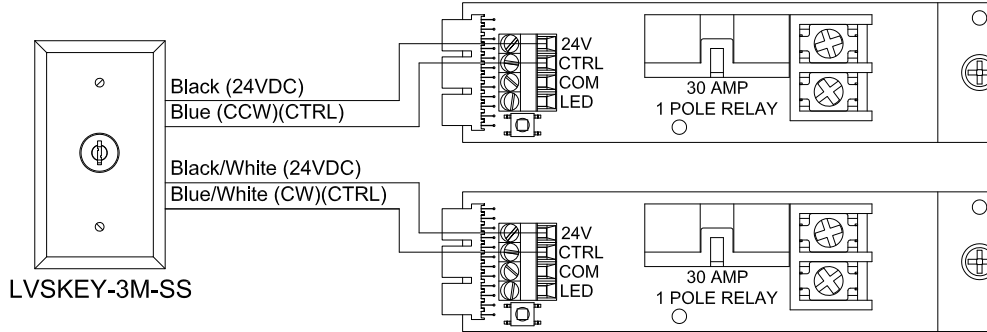


Figure 3: NX or CX Panel Relay Inputs

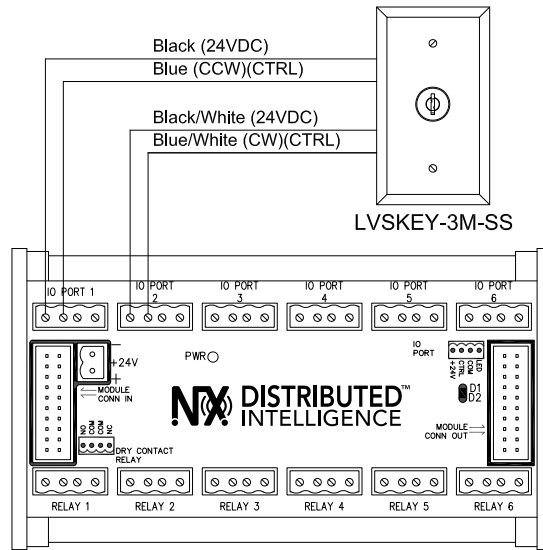


Figure 4: NXCI Contact Interface Module

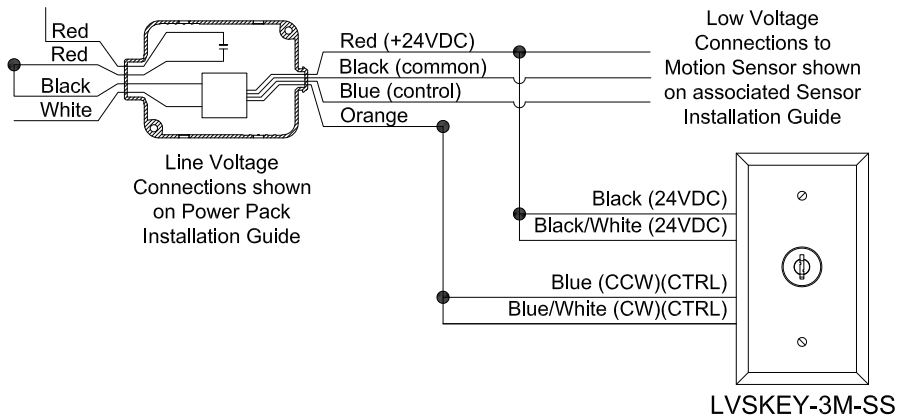


Figure 5: Vacancy Stand-Alone Control Pack