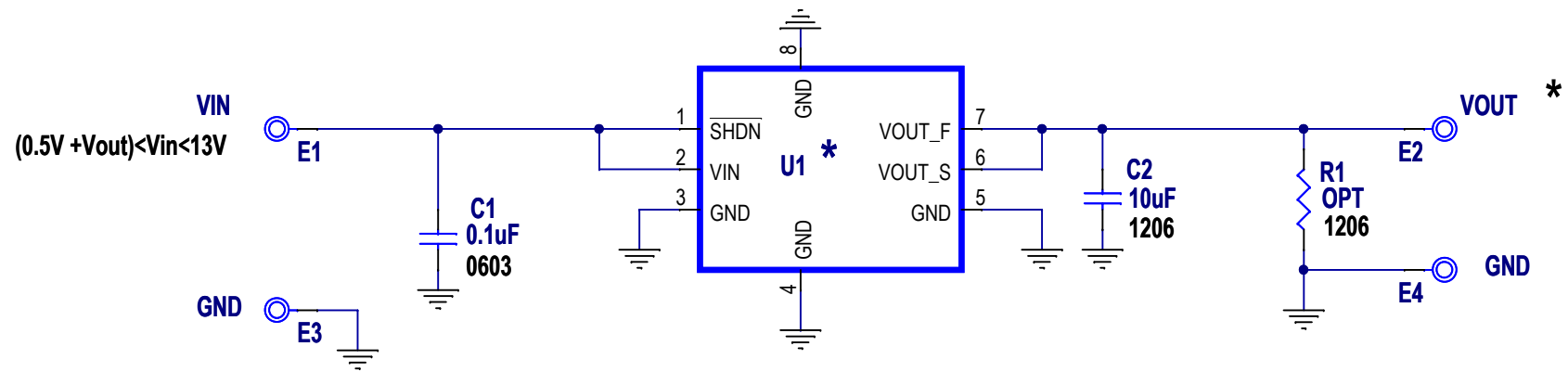



REVISION HISTORY				
ECO	REV	DESCRIPTION	APPROVED	DATE
—	2	PRODUCTION	CUYLER L.	10-09-2014



* ASSEMBLY TYPE

ASSY TYPE	LTC Part #	VOUT
A	LTC6655BHLS8-2.5#PBF	2.5V
B	LTC6655BHLS8-4.096#PBF	4V
C	LTC6655BHLS8-5#PBF	5V

<p align="center">CUSTOMER NOTICE</p> <p>LINEAR TECHNOLOGY HAS MADE A BEST EFFORT TO DESIGN A CIRCUIT THAT MEETS CUSTOMER-SUPPLIED SPECIFICATIONS; HOWEVER, IT REMAINS THE CUSTOMER'S RESPONSIBILITY TO VERIFY PROPER AND RELIABLE OPERATION IN THE ACTUAL APPLICATION. COMPONENT SUBSTITUTION AND PRINTED CIRCUIT BOARD LAYOUT MAY SIGNIFICANTLY AFFECT CIRCUIT PERFORMANCE OR RELIABILITY. CONTACT LINEAR TECHNOLOGY APPLICATIONS ENGINEERING FOR ASSISTANCE.</p>	APPROVALS		 <p>1630 McCarthy Blvd. Milpitas, CA 95035 Phone: (408)432-1900 www.linear.com Fax: (408)434-0507 LTC Confidential-For Customer Use Only</p>								
	PCB DES.	AK		<p>TITLE: SCHEMATIC</p> <p>0.25 PPM NOISE, LOW DRIFT PRECISION REFERENCE</p>							
	APP ENG.	CUYLER L.	<table border="1"> <tr> <td>SIZE</td> <td>IC NO.</td> <td rowspan="2"> <p>LTC6655BHLS8 - *</p> <p>DEMO CIRCUIT 2095A</p> </td> <td>REV.</td> </tr> <tr> <td>N/A</td> <td></td> <td>2</td> </tr> </table>		SIZE	IC NO.	<p>LTC6655BHLS8 - *</p> <p>DEMO CIRCUIT 2095A</p>	REV.	N/A		2
	SIZE	IC NO.	<p>LTC6655BHLS8 - *</p> <p>DEMO CIRCUIT 2095A</p>		REV.						
N/A		2									
<p>THIS CIRCUIT IS PROPRIETARY TO LINEAR TECHNOLOGY AND SUPPLIED FOR USE WITH LINEAR TECHNOLOGY PARTS.</p>		SCALE = NONE	<table border="1"> <tr> <td>DATE:</td> <td>Thursday, October 09, 2014</td> <td>SHEET 1 OF 1</td> </tr> </table>	DATE:	Thursday, October 09, 2014	SHEET 1 OF 1					
DATE:	Thursday, October 09, 2014	SHEET 1 OF 1									