

Part Number	Length (Meters)
CA0911A800401012	1 (3.28 FEET)
CA0911A800402012	2 (6.56 FEET)
CA0911A800403012	3 (9.84 FEET)
CA0911A800405012	5 (16.40 FEET)
CA0911A800407012	7 (22.96 FEET)
CA0911A800410012	10 (32.80 FEET)
CA0911A800413012	13 (42.65 FEET)
CA0911A800415012	15 (49.21 FEET)

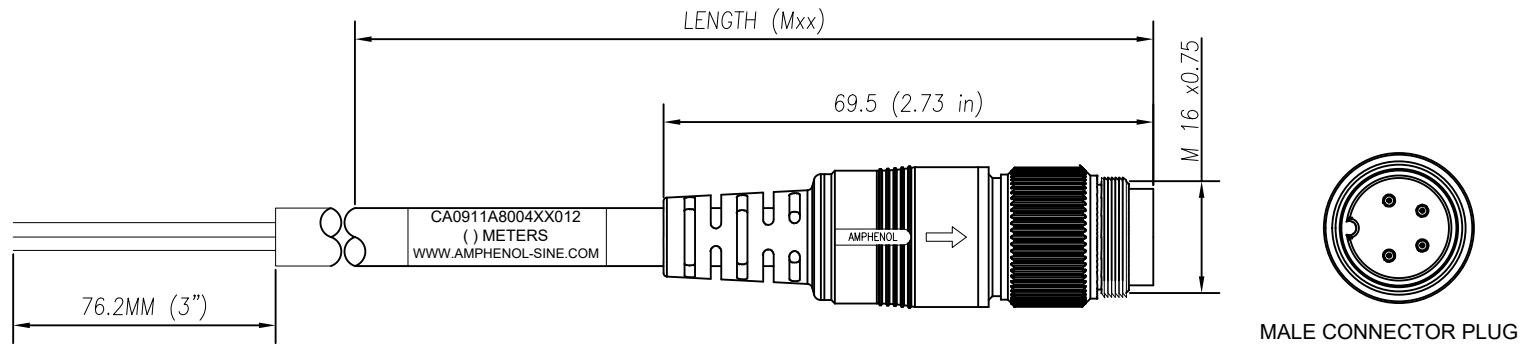
D

C

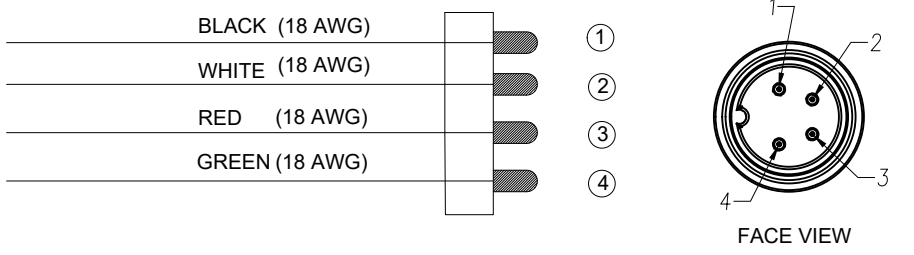
B

A

REVISIONS							
REV	ZONE	ECO	DESCRIPTION	DATE	BY	CHK	APPR
A1	-	-	TECHNICAL DATA SHEET RELEASE	20-JULY-17	RO	-	-



WIRING DIAGRAM



CAN BE USED WITH MATING FEMALE RECEPTACLE # CA0911F114005

CONTACT YOUR DISTRIBUTOR FOR OTHER MATING OPTIONS

TECHNICAL DATA:

- 1) MATERIALS:
 - COUPLING NUT: ZINC DIE CAST
 - INSULATION INSERT: THERMOPLASTIC
 - CONTACT: SILVER PLATED
 - OVERMOLD MATERIAL: THERMOPLASTIC COLOR: BLACK
 - CABLE RATING: UL LISTED, UL RECOGNIZED AWM STYLE AND CSA CERTIFIED, PLTC 105°C 300V
 - CABLE JACKET MATERIAL: PVC COLOR: BLACK
 - CONDUCTOR INSULATION: SR-PVC
 - NUMBER OF CONDUCTORS: (4) 18AWG
- 2) CONNECTOR ELECTRICAL DATA:
 - CURRENT (MAX): 10A AT 40°C
 - VOLTAGE (MAX): 250V AC/DC PER UL 1977
 - INSULATION RESISTANCE: 10M OHMS PER IEC 60512-3-1
 - RATED IMPULSE WITHSTAND VOLTAGE: 1500V PER IEC60664-1
- 3) CONNECTOR MECHANICAL DATA:
 - TEMPERATURE RANGE: -25°C TO +100°C
 - PROTECTION: IP67/IP68 (PER MATED CONDITION)
 - MATING CYCLES: >500
- 4) RoHS COMPLIANT

TOLERANCE	
0-2.99 M = +100.0/-25.0mm	0-9.99 FT = +4" / -1"
3-8.99 M = +150.0/-25.0mm	10.00-29.99 FT = +6" / -1"
9-14.99 M = +300.0/-25.0mm	30.00-49.99 FT = +12" / -1"
15-OVER M = +450.0/-25.0mm	50 FT-OVER = +18" / -1"

QUANTITY	PART NUMBER	DESCRIPTION	ITEM												
MATERIALS LIST															
UNLESS OTHERWISE SPECIFIED: 1) All dimensions are in metric(mm). 2) Tolerances are as follows: 1 PL DEC ±0.30 2 PL DEC ±0.15 3 PL DEC ±0.08 3) Note reference = Δ		<table border="1"> <tr> <th>SIGNATURES</th> <th>DATE</th> </tr> <tr> <td>DRAWN: RO</td> <td>20-JUNE-17</td> </tr> <tr> <td>CHECKED: AA</td> <td>21-JUNE-17</td> </tr> <tr> <td>ENGINEER: RO</td> <td></td> </tr> <tr> <td>APPROVAL: WS</td> <td>24-JUNE-17</td> </tr> </table>		SIGNATURES	DATE	DRAWN: RO	20-JUNE-17	CHECKED: AA	21-JUNE-17	ENGINEER: RO		APPROVAL: WS	24-JUNE-17		
SIGNATURES	DATE														
DRAWN: RO	20-JUNE-17														
CHECKED: AA	21-JUNE-17														
ENGINEER: RO															
APPROVAL: WS	24-JUNE-17														
MATERIAL SPECIFICATIONS:		<p style="text-align: center;">Amphenol</p> <p style="text-align: center;">Sine Systems - www.amphenol-sine.com 44724 Morley Drive Clinton Township, MI 48036</p>													
PROCESS SPECIFICATIONS: IPC-WHMA-A-620		<p>C091 (M16) 4 POS CIRCULAR MOLDED, STD. STRAIN RELIEF, MALE TO LEADS, 18AWG, 4C</p>													
NEXT ASSY:		<table border="1"> <tr> <td>SIZE</td> <td>TYPE</td> <td>DWG NO.</td> <td>REVISION</td> </tr> <tr> <td>C-</td> <td></td> <td>CA9811A8004XX012</td> <td>A1</td> </tr> <tr> <td>SCALE</td> <td>HALF</td> <td>CA9811A8004XX012</td> <td>SHEET 1 OF 1</td> </tr> </table>		SIZE	TYPE	DWG NO.	REVISION	C-		CA9811A8004XX012	A1	SCALE	HALF	CA9811A8004XX012	SHEET 1 OF 1
SIZE	TYPE	DWG NO.	REVISION												
C-		CA9811A8004XX012	A1												
SCALE	HALF	CA9811A8004XX012	SHEET 1 OF 1												

