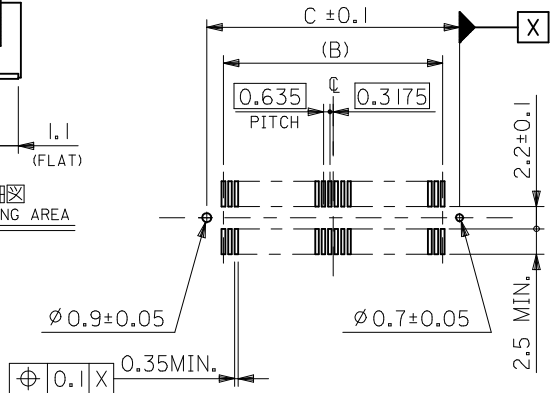
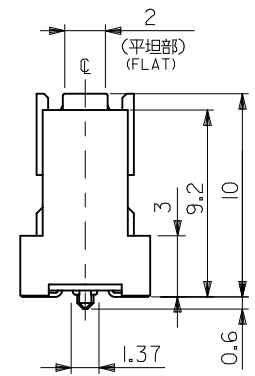


半田付け部詳細図  
DETAIL FOR SOLDERING AREA



参考推奨基板寸法  
RECOMMENDED PCB PATTERN LAYOUT (REF.)  
(SCALE 2:1)

注記  
NOTES:

1. 材質  
MATERIAL  
ハウジング: LCP (液晶ポリマー)、ガラス充填、白色、UL94V-0  
HOUSING: LCP (LIQUID CRYSTAL POLYMER), GLASS FILLED, WHITE, UL94V-0  
ターミナル: リン青銅 (t=0.2)  
TERMINAL: PHOSPHOR BRONZE (t=0.2)
2. メッキ仕様  
PLATING  
ターミナル  
TERMINAL  
接点部: 金メッキ 0.76マイクロメートル以上  
CONTACT AREA: GOLD 0.76 MICROMETER MINIMUM  
半田付け部: 錫メッキ 1.0マイクロメートル以上  
SOLDER TAIL AREA: TIN 1.0 MICROMETER MINIMUM  
下地メッキ: ニッケルメッキ 2.0マイクロメートル以上  
UNDER PLATING: NICKEL 2.0 MICROMETER MINIMUM
3. テールのバラツキ寸法  
TAIL COPLANARITY  
テール平坦度は、0.1ミリメートル以下。  
TAIL COPLANARITY TO BE 0.1 MAXIMUM.

|       |        |       |                            |                      |                |
|-------|--------|-------|----------------------------|----------------------|----------------|
| 66.17 | 62.865 | 69.09 | 500598-2079                | 500598-2070          | 200            |
| C     | B      | A     | スティック梱包<br>STICK PACKAGING | 製品番号<br>MATERIAL NO. | 極数<br>CIRCUITS |

|  |             |                                       |  |                               |                     |  |                        |                        |
|--|-------------|---------------------------------------|--|-------------------------------|---------------------|--|------------------------|------------------------|
| REVISED<br>EC NO: J2014-0899<br>DRAWN: TKA IHO 2013/11/25<br>CHKD: ASAKAWA 2013/11/25<br>APPR: KMORI KAWA 2013/11/26 | DESCRIPTION | GENERAL TOLERANCES (UNLESS SPECIFIED) |  | DIMENSION STYLE<br>MM ONLY    |                     | SCALE<br>4:1   | DESIGN UNITS<br>METRIC | THIRD ANGLE PROJECTION |
|  |             | 10 UNDER                              | ± 0.2  | DRAWN BY<br>YUGIURA           | DATE<br>2005/01/24  | TITLE<br>0.635 MM PITCH B/B REC.<br>HSG ASSY SHORT FLANGE<br>-LEAD FREE- |                        |                        |
|  |             | 10 OVER 30 UNDER                      | ± 0.25   | CHECKED BY<br>KTOJO           | DATE<br>2005/01/24  |  |                        |                        |
|  |             | 30 OVER                               | ± 0.3  | APPROVED BY<br>NUKITA         | DATE<br>2005/01/24  |  |                        |                        |
| ANGULAR  | ± 3 °       | MATERIAL NO.<br>SEE CHART             |  | DOCUMENT NO.<br>SD-500598-003 | SHEET NO.<br>1 OF 1 |  |                        |                        |
| DRAFT WHERE APPLICABLE<br>MUST REMAIN<br>WITHIN DIMENSIONS   |             | SIZE<br>A3                            | THIS DRAWING CONTAINS INFORMATION THAT IS PROPRIETARY TO MOLEX<br>INCORPORATED AND SHOULD NOT BE USED WITHOUT WRITTEN PERMISSION |                               |                     |  |                        |                        |

10 9 8 7 6 5 4 3 2 1

F

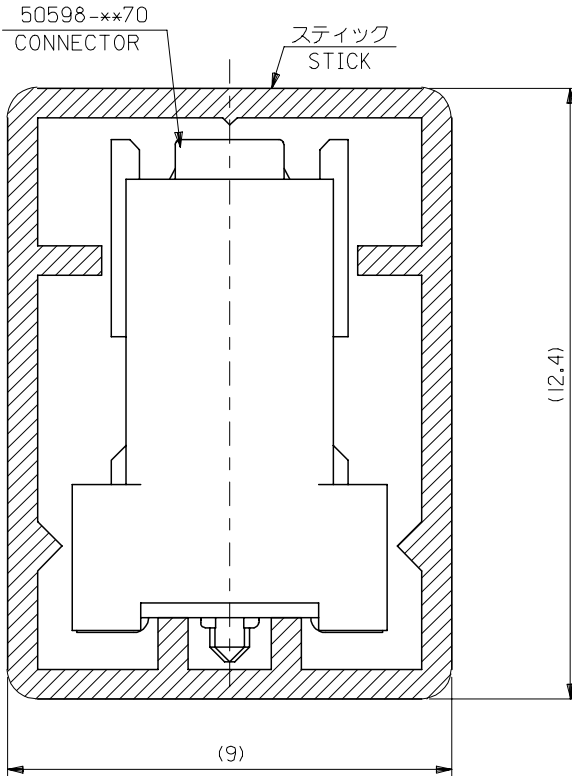
E

D

C

B

A



注記  
NOTES.

1. スティック両端はキャップ止め。  
BOTH ENDS WITH CAPS.
2. 全長: 600±2  
TOTAL LENGTH
3. 肉厚: 0.6±0.2  
THICKNESS
4. 材料 スティック: ポリ塩化ビニル  
MATERIAL STICK: P.V.C.
5. 本製品は、500598-\*\*-9 の鉛フリー品である。  
THIS PRODUCT IS LEAD FREE OF 500598-\*\*-9.

|                 |                      |                |
|-----------------|----------------------|----------------|
| 8               | 500598-2079          | 200            |
| 梱包数<br>QUANTITY | 製品番号<br>MATERIAL NO. | 極数<br>CIRCUITS |

|  |                                       |            |                            |  |                    |                        |   |                     |
|--|---------------------------------------|------------|----------------------------|--|--------------------|------------------------|---|---------------------|
| RELEASED<br>EC NO: J2005-2118<br>DRWN: YSUGIURA 2005/01/24<br>CHKD: NUKITA 2005/01/25<br>APPR: NUKITA 2005/01/28 | GENERAL TOLERANCES (UNLESS SPECIFIED) |            | DIMENSION STYLE<br>MM ONLY |  | SCALE<br>---       | DESIGN UNITS<br>METRIC | THIRD ANGLE<br>PROJECTION                               |                     |
|  | 10 UNDER                              | ±0.2       | DRAWN BY<br>YSUGIURA       |  | DATE<br>2005/01/24 |                        | TITLE<br>500598-**-70<br>STICK PACKAGING<br>-LEAD FREE- |                     |
|  | 10 OVER 30 UNDER                      | ±0.25      | CHECKED BY<br>KTOJO        |  | DATE<br>2005/01/24 |                        | MOLEX INCORPORATED                                      |                     |
|  | 30 OVER                               | ±0.3       | APPROVED BY<br>NUKITA      |  | DATE<br>2005/01/24 |                        |   |                     |
|  | ANGULAR                               | ±3 °       | MATERIAL NO.               |  | SEE CHART          |                        | DOCUMENT NO.<br>SD-500598-004                           | SHEET NO.<br>1 OF 1 |
| DRAFT WHERE APPLICABLE<br>MUST REMAIN<br>WITHIN DIMENSIONS   |                                       | SIZE<br>A3 |                            | THIS DRAWING CONTAINS INFORMATION THAT IS PROPRIETARY TO MOLEX<br>INCORPORATED AND SHOULD NOT BE USED WITHOUT WRITTEN PERMISSION |                    |                        |   |                     |