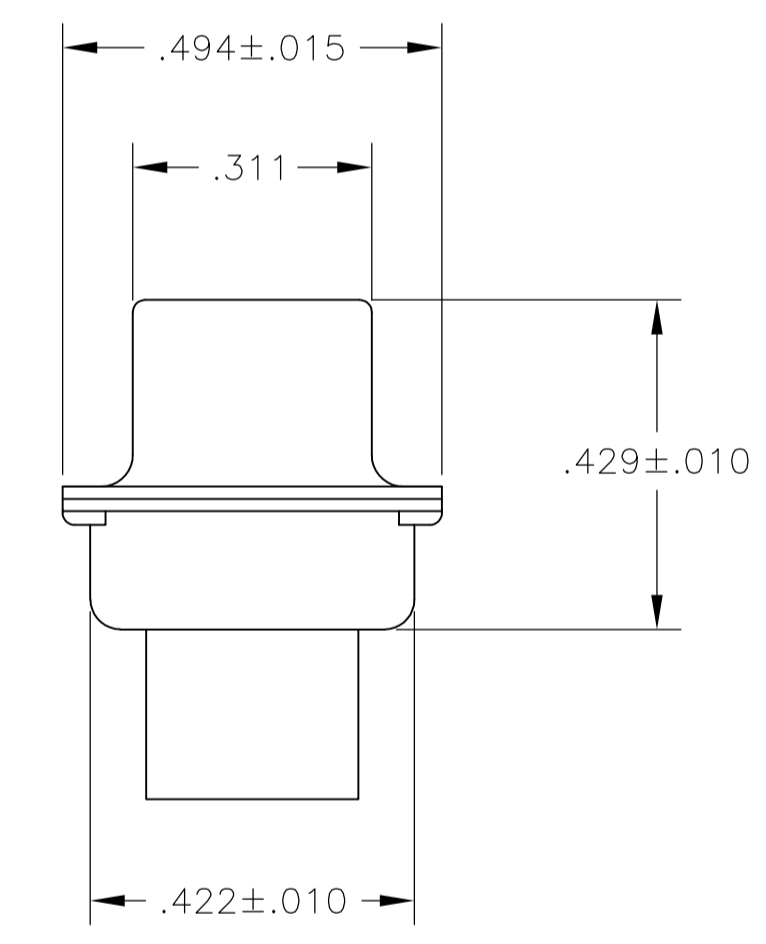
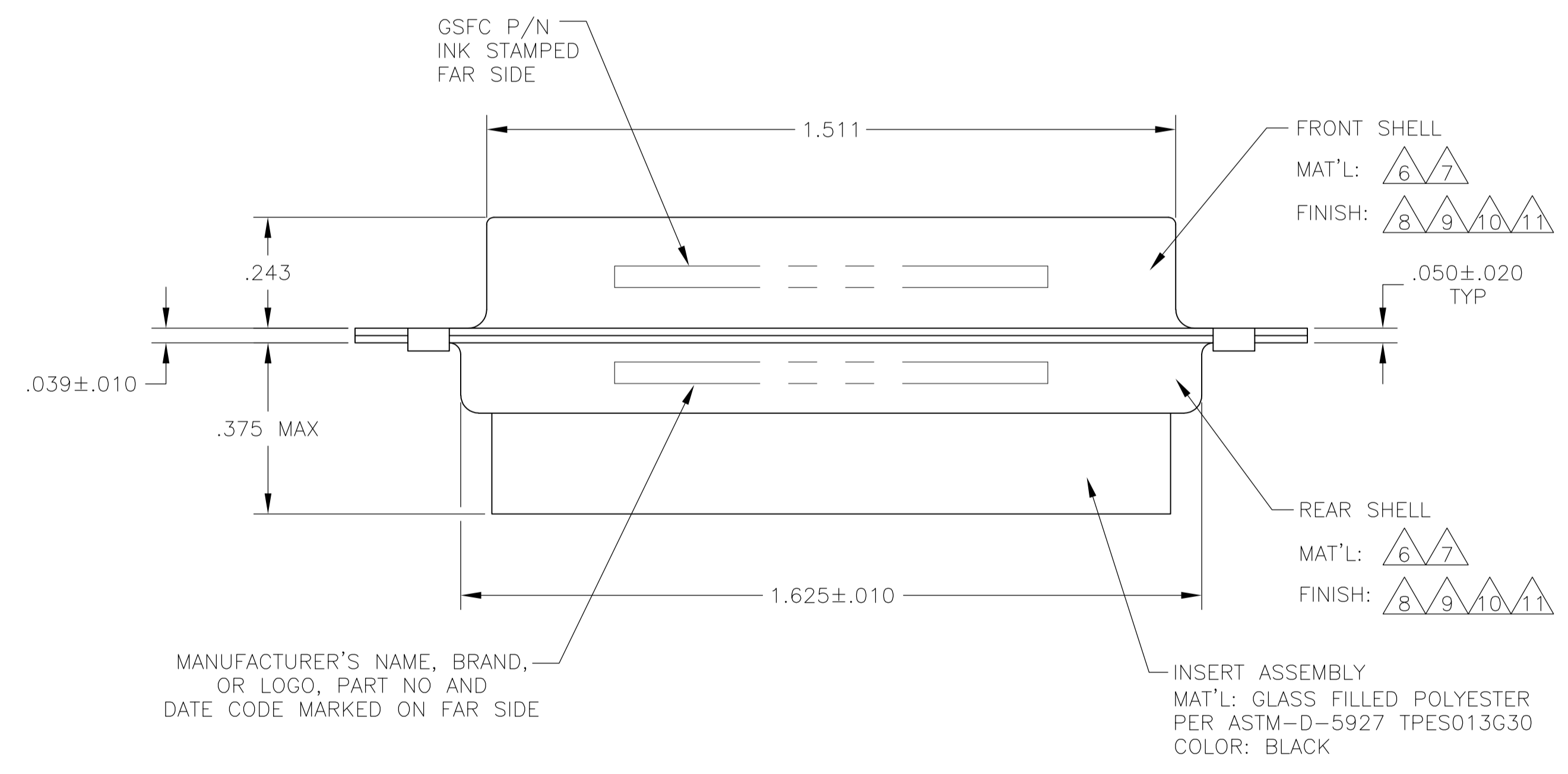
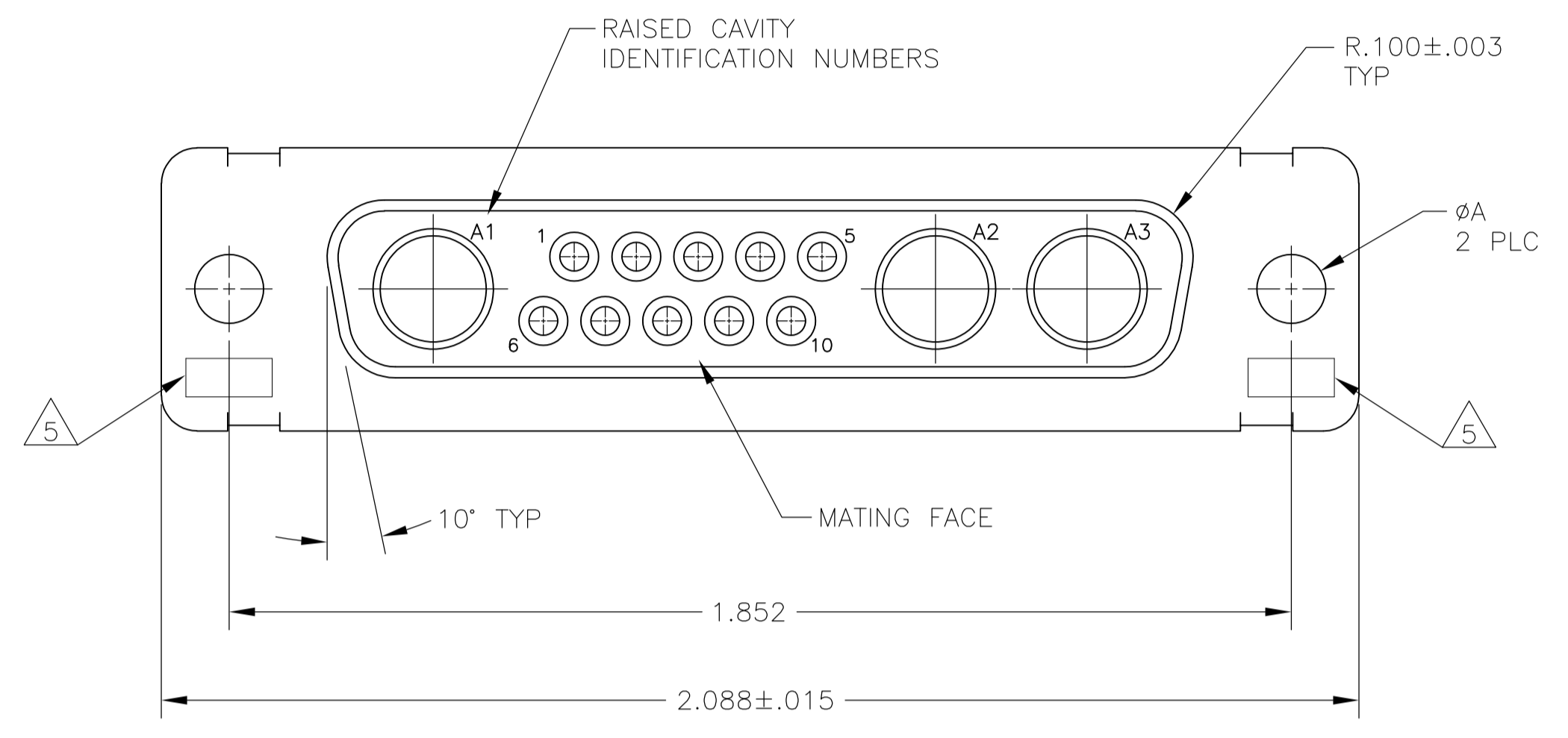


LOC		DIST		REVISIONS			
P	LTR	DESCRIPTION	DATE	DWN	APVD		
T		REVISED PER ECO-15-016251	13NOV15	KG	CD		

- 1 THIS RECEPTACLE WILL MATE WITH ANY 13C3, SIZE 3 PLUG IN AMPLIMITE SERIES.
 - 2 MAXIMUM WIRE INSULATION TO BE USED WITH THIS RECEPTACLE IS $\phi .068$.
 - 3 THIS CONNECTOR ACCEPTS (3) POWER 8, OR COAX SOCKET CONTACTS IN POSITIONS A1 THRU A3, PURCHASED SEPARATELY.
 - 4 THIS CONNECTOR ACCEPTS SIZE 20 SOCKET SIGNAL CONTACTS IN POSITIONS 1 THRU 10, PURCHASED SEPARATELY.
- 5 UL/CSA DESIGNATION STAMPED IN THIS AREA, OPTIONAL.
 - 6 STEEL PER ASTM-A-109.
 - 7 BRASS PER MIL-C-50 AND ASTM-B-36 UNS NO. C26000.
 - 8 FINISH: CADMIUM PLATED PER QQ-P-416.
 - 9 FINISH: TIN PER ASTM-B-545 .000400 MIN THK OVER COPPER PER AMS2418 .000050 MIN THK.
 - 10 GOLD PLATED PER ASTM-B-488 TYPE II, GRADE C, CLASS 1 OVER COPPER PER AMS2418, CLASS IV.
 - 11 FINISH: ZINC PLATE PER ASTM-B-633, .000200-.000400 THK WITH SUPPLEMENTARY CHROMATE (Cr3+)



6/9	.120	-	5-208811-2
6/11	.120	-	5-208811-1
7/10	.154	311P405-12S-B-15	208811-4
7/10	.120	311P405-12S-B-12	208811-3
6/9	.120	-	208811-2
6/8	.120	-	208811-1
REMARKS	ϕA	GSFC P/N	PART NO.

THIS DRAWING IS A CONTROLLED DOCUMENT.

DIMENSIONS: INCHES	TOLERANCES UNLESS OTHERWISE SPECIFIED:	DIN C.C.THOMAS 04FEB88	APVD A.FMADI 09FEB88	NAME RECEPTACLE ASSEMBLY AMPLIMITE 13C3 SIZE 3, SERIES 109, COAX MIX
0 PLC ± -	1 PLC ± -	2 PLC ± -	3 PLC ± .005(0.13)	4 PLC ± ± 0', 30'
MATERIAL	FINISH	WEIGHT	SIZE A1 00779	SCALE 4:1 SHEET 1 OF 1 REV T

CUSTOMER DRAWING