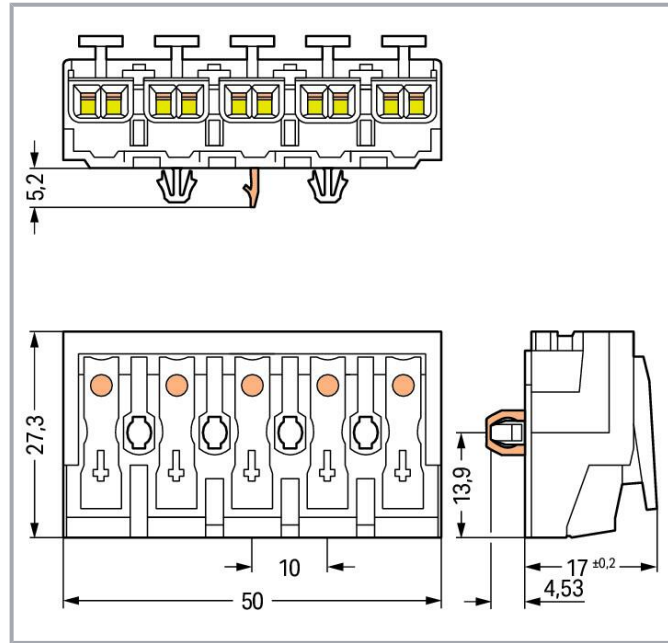
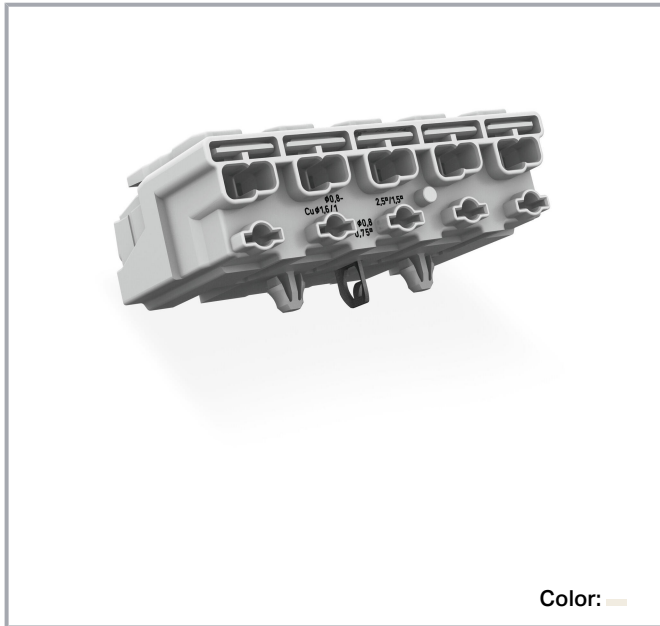


## Data sheet | Item number: 294-5175

Lighting connector; push-button, external; with direct ground contact; 5-pole; Lighting side: for solid conductors; Inst. side: for all conductor types; max. 2.5 mm<sup>2</sup>; Surrounding air temperature: max 85°C (T85); 2,50 mm<sup>2</sup>; white

[www.wago.com/294-5175](http://www.wago.com/294-5175)



### Item description

- External connection of solid, stranded and fine-stranded conductors
- Universal conductor termination (AWG, metric)
- Third contact located at the bottom of internal connection end
- Strain relief plate can be retrofitted

### Data

#### Electrical data

#### Ratings per IEC/EN

Ratings per	IEC/EN 60998-1
Ratings (note)	Connection points
Nominal voltage (II/2)	500 V
Rated surge voltage (II/2)	4 kV
Rated current	24 A

Subject to changes. Please also observe the further product documentation!

WAGO GmbH & Co. KG  
Hansastr. 27  
32423 Minden  
Phone: +49571 887-0 | Fax: +49571 887-169  
Email: [info.de@wago.com](mailto:info.de@wago.com) | Web: [www.wago.com](http://www.wago.com)

Do you have any questions about our products?  
We are always happy to take your call at +49 (571) 887-44222.

Legend (ratings)

(II / 2)  $\triangleq$  Overvoltage category II / Pollution degree 2

## Ratings per IEC/EN 2

Ratings per 2	IEC/EN 60998-2-2
Ratings (note) 2	Connection points
Rated voltage (II/2) 2	500 V
Rated surge voltage (II/2) 2	4 kV
Rated current 2	24 A

## Connection data

Connection points	25
Total number of potentials	5
Number of connection types	4
PE function	Direct PE contact

## Connection 1

Connection type 1	External 1
Connection technology	Push-in CAGE CLAMP <sup>®</sup>
Number of connection points	2
Actuation type	Push-button
Connectable conductor materials	Copper
Solid conductor	0.5 ... 2.5 mm <sup>2</sup> / 18 ... 12 AWG
Solid conductor; push-in termination	0.5 ... 2.5 mm <sup>2</sup> / 18 ... 12 AWG
Stranded conductor	0.5 ... 2.5 mm <sup>2</sup> / 18 ... 14 AWG
Fine-stranded conductor	0.5 ... 2.5 mm <sup>2</sup> / 18 ... 14 AWG
Fine-stranded conductor; with insulated ferrule	0.5 ... 1.5 mm <sup>2</sup> / 18 ... 16 AWG
Fine-stranded conductor; with uninsulated ferrule	0.5 ... 1.5 mm <sup>2</sup> / 18 ... 16 AWG
Fine-stranded conductor; with ferrule; push-in termination	0.5 mm <sup>2</sup> / 18 AWG
Strip length	8 ... 9 mm / 0.31 ... 0.35 inches
Pole number	5
Wiring direction	Side-entry wiring

## Connection 2

Connection type 2	Internal 2
Connection technology 2	PUSH WIRE <sup>®</sup>
Number of connection points 2	1

Subject to changes. Please also observe the further product documentation!



Actuation type 2	Push-in
Solid conductor 2	0.5 ... 2.5 mm <sup>2</sup> / 18 ... 14 AWG
Fine-stranded conductor; with insulated ferrule 2	0.5 ... 1 mm <sup>2</sup> / 18 ... 16 AWG
Fine-stranded conductor; with uninsulated ferrule 2	0.5 ... 1.5 mm <sup>2</sup> / 18 ... 14 AWG
Strip length 2	8 ... 9 mm / 0.31 ... 0.35 inches

### Connection 3

Connection type 3	Internal 3
Connection technology 3	PUSH WIRE®
Number of connection points 3	1
Actuation type 3	Push-in
Solid conductor 3	0.5 ... 1.5 mm <sup>2</sup> / 18 ... 16 AWG
Fine-stranded conductor; with insulated ferrule 3	0.5 ... 0.75 mm <sup>2</sup> / 18 AWG
Fine-stranded conductor; with uninsulated ferrule 3	0.5 ... 1 mm <sup>2</sup> / 18 AWG
Strip length 3	8 ... 9 mm / 0.31 ... 0.35 inches

### Connection 4

Connection type 4	Internal 4
Connection technology 4	PUSH WIRE®
Number of connection points 4	1
Actuation type 4	Push-in
Solid conductor 4	0.5 ... 0.75 mm <sup>2</sup> / 18 AWG
Strip length 4	8 ... 9 mm / 0.31 ... 0.35 inches

### Physical data

Pin spacing	10 mm / 0.394 inches
Width	50 mm / 1.969 inches
Height	21.53 mm / 0.848 inches
Height from the surface	17 mm / 0.669 inches
Depth	27.3 mm / 1.075 inches

### Mechanical Data

Marking	DA- N $\frac{1}{2}$ L DA+
Mounting type	Snap-in foot

Subject to changes. Please also observe the further product documentation!



## Material Data

Note (material data)

Information on material specifications can be found here

Color	white
Material group	IIIa
Insulation material	Polycarbonate (PC)
Flammability class per UL94	V0
Clamping spring material	Chrome-nickel spring steel (CrNi)
Contact material	Electrolytic copper (E <sub>Cu</sub> )
Contact plating	Tin
Fire load	0.304 MJ
Halogen-free	Yes
Weight	15.5 g

## Environmental requirements

Temperature stability	120 °C
T marking	T85

## Commercial data

Product Group	8 (Misc. Chassis Mount Blocks)
eCl@ss 10.0	27-14-11-06
eCl@ss 9.0	27-14-11-06
ETIM 8.0	EC001284
ETIM 7.0	EC001284
PU (SPU)	250 pcs
Packaging type	Foil
Country of origin	CH
GTIN	4050821098386
Customs tariff number	85369010000

## Environmental Product Compliance

CAS-No.	131651-65-5
	144317-44-2
	220133-51-7
	220689-12-3

Subject to changes. Please also observe the further product documentation!

WAGO GmbH & Co. KG  
 Hansastr. 27  
 32423 Minden  
 Phone: +49571 887-0 | Fax: +49571 887-169  
 Email: [info.de@wago.com](mailto:info.de@wago.com) | Web: [www.wago.com](http://www.wago.com)


Do you have any questions about our products?  
 We are always happy to take your call at +49 (571) 887-44222.

25628-08-4  
29420-49-3  
375-73-5  
503155-89-3  
507453-86-3  
68259-10-9

REACH Candidate List Substance	Perfluorobutane sulfonic acid (PFBS) and its salts
RoHS Compliance Status	Compliant, With Exemption
RoHS Exemption	6(c) 7(a) 7(c)-I 7(c)-II
SCIP notification number (Austria)	f5b6a07f-da00-4194-b163-8019f5cdb18a
SCIP notification number (Belgium)	ab849ec9-e322-4992-ba82-ac65a7c199ea
SCIP notification number (Bulgaria)	299d7c6d-e83d-4bec-99aa-ea97516584de
SCIP notification number (Czech Republic)	9301a25f-8ed2-46c3-a3d1-230c7fc11ded
SCIP notification number (Denmark)	33cee305-c28a-42ab-9066-3e3d258259be
SCIP notification number (Finland)	22e436ad-e9c2-4904-8436-b92f9180c7cb
SCIP notification number (France)	a0747c3d-b9e1-4708-8dcc-867836603008
SCIP notification number (Germany)	b93ce7c0-1aec-4b3b-87da-069ea8156295
SCIP notification number (Hungary)	f4622534-eef5-4891-9b00-7a9b7a864740
SCIP notification number (Italy)	1ffeeded-bc93-4875-be87-b55fb17a16ec
SCIP notification number (Netherlands)	fc0743e5-9bcb-4ab8-8933-35fd5f9b5eb2
SCIP notification number (Poland)	2fadcfcd-d1e7-4d05-9eaf-35d686e3dcdc
SCIP notification number (Romania)	008bf014-52de-4bc3-a070-4db6e8965bfd
SCIP notification number (Sweden)	28fba77c-242c-4757-8a55-bf66887a936e

## Approvals / Certificates

### General approvals

Logo	Approval	Additional Approval Text	Certificate name
	ENEC 05 DEKRA Certification B.V.	EN 60998	2128791.01

### Declarations of conformity and manufacturer's declarations

Logo	Approval	Additional Approval Text	Certificate name
	<b>EU-Declaration of Conformity</b> WAGO GmbH & Co. KG	-	-

Subject to changes. Please also observe the further product documentation!

WAGO GmbH & Co. KG  
Hansastr. 27  
32423 Minden  
Phone: +49571 887-0 | Fax: +49571 887-169  
Email: [info.de@wago.com](mailto:info.de@wago.com) | Web: [www.wago.com](http://www.wago.com)

Do you have any questions about our products?  
We are always happy to take your call at +49 (571) 887-44222.



UK-Declaration of Conformity  
WAGO GmbH & Co. KG

## Optional accessories

### Strain relief

Strain relief



**Item no.: 294-370**  
Strain relief; for 294 Series; with snap-in mounting feet; white

[www.wago.com/294-370](http://www.wago.com/294-370)



**Item no.: 294-375**  
Strain relief; for 294 Series; without snap-in mounting feet; white

[www.wago.com/294-375](http://www.wago.com/294-375)

Strain relief plate



**Item no.: 294-364**  
Strain relief plate; for 294 Series; for multicore cables; 3- to 5-pole; with secured clamp; white

[www.wago.com/294-364](http://www.wago.com/294-364)



**Item no.: 294-384**  
Strain relief plate; for 294 Series; for single strands; 3- to 5-pole; with secured clamp; white

[www.wago.com/294-384](http://www.wago.com/294-384)

### Tool

Operating tool



**Item no.: 206-294**  
Disconnection tool; green

[www.wago.com/206-294](http://www.wago.com/206-294)

## Downloads

### Documentation

#### Bid Text

294-5175	2019 Feb 19	xml	Download
X81 - Datei		5.7 kB	

294-5175

Subject to changes. Please also observe the further product documentation!

WAGO GmbH & Co. KG  
Hansastr. 27  
32423 Minden  
Phone: +49571 887-0 | Fax: +49571 887-169  
Email: [info.de@wago.com](mailto:info.de@wago.com) | Web: [www.wago.com](http://www.wago.com)

Do you have any questions about our products?  
We are always happy to take your call at +49 (571) 887-44222.



294-5175	2017 Jun 13	doc	Download
doc - Datei		29.2 kB	

#### Additional Information

Technical Section		pdf	Download
Technical explanations		2.2 MB	

#### CAD/CAE-Data

##### CAD data

2D/3D Models 294-5175		URL	Download
-----------------------	--	-----	----------

##### CAE data

ZUKEN Portal 294-5175		URL	Download
-----------------------	--	-----	----------

WSCAD Universe 294-5175		URL	Download
-------------------------	--	-----	----------

#### Environmental Product Compliance

##### Compliance Search

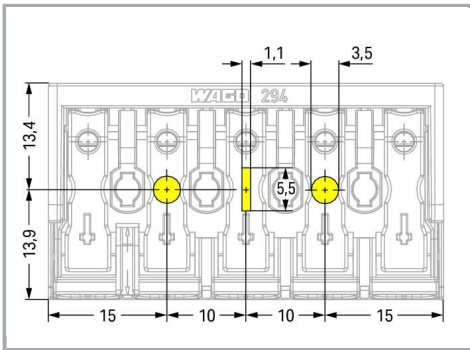
Environmental Product Compliance 294-5175		URL	Download
---	--	-----	----------

Lighting connector; push-button, external; with direct ground contact; 5-pole;  
Lighting side: for solid conductors; Inst. side: for all conductor types; max. 2.5 mm<sup>2</sup>;  
Surrounding air temperature: max 85°C (T85); 2,50 mm<sup>2</sup>; white

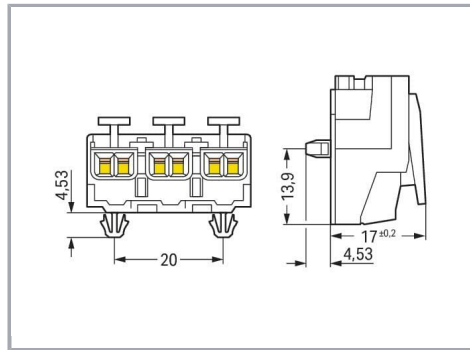
#### Installation Notes

##### Installation

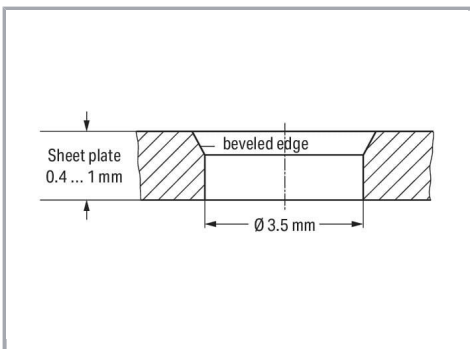
Subject to changes. Please also observe the further product documentation!



5-pole – with direct ground contact

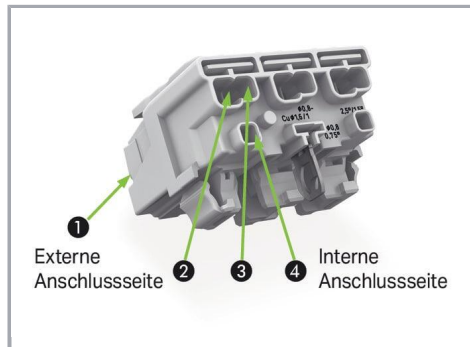
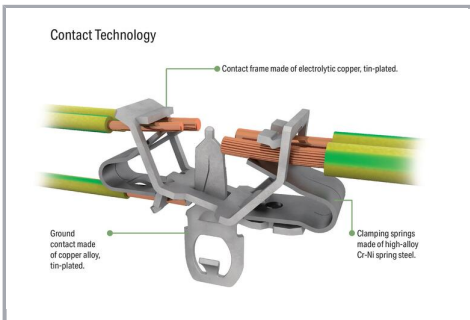


Snap-in foot



Drilled hole for snap-in mounting foot

**Conductor termination**



Subject to changes. Please also observe the further product documentation!



EUROPE
1 x 0.5 ... 2.5 mm <sup>2</sup> "s"
1 x 0.5 ... 1.5 mm <sup>2</sup> "s"
1 x 0.5 ... 0.75 mm <sup>2</sup> "s"
AMERICA
1 x AWG 18 ... 14 "s"
1 x AWG 18 ... 16 "s"
1 x AWG 18 "s"
JAPAN
1 x 0.8 ... 1.6 mm diam. "s"
1 x 0.8 ... 1 mm diam. "s"
1 x 0.8 mm diam. "s"

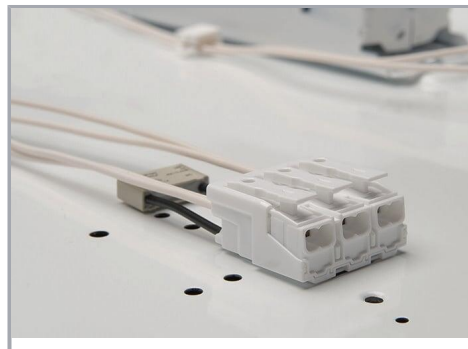
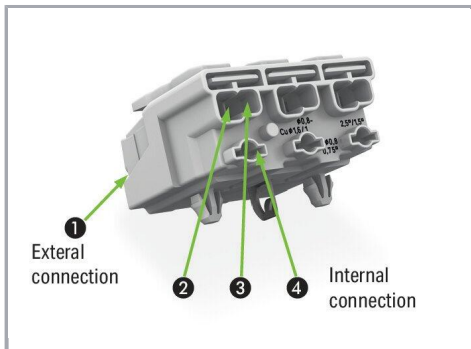
EUROPE
2 x 0.5 ... 2.5 mm <sup>2</sup> "s, str, f-str"
AMERICA
2 x AWG 18 ... 12 "s"
2 x AWG 18 ... 14 "s, f-str"
JAPAN
2 x 0.8 ... 2 mm diam. "s"
2 x 0.5 ... 2 mm <sup>2</sup> "str, f-str"

**Internal connection:**

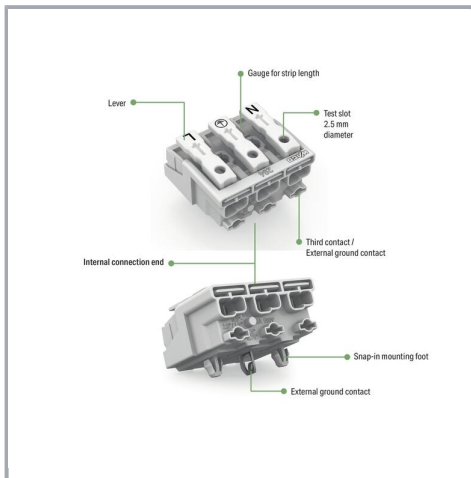
PUSH WIRE® for internal wiring with solid conductors

**External connection:**

Push-in CAGE CLAMP® for field-wiring with all conductor types



Terminating five conductors per pole – solid and fine-stranded.



Subject to changes. Please also observe the further product documentation!