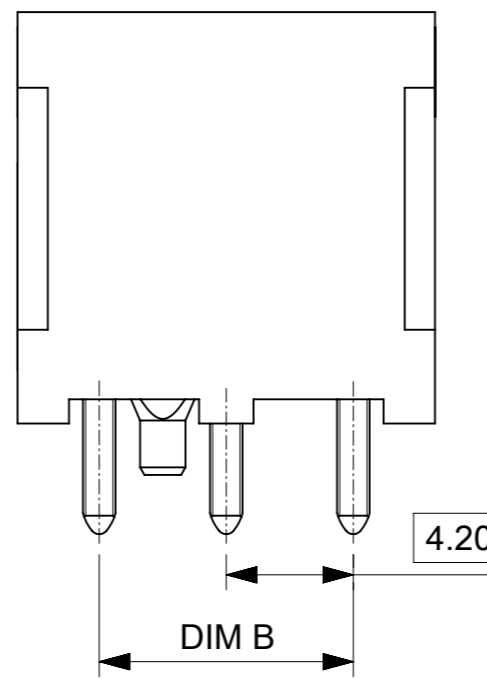
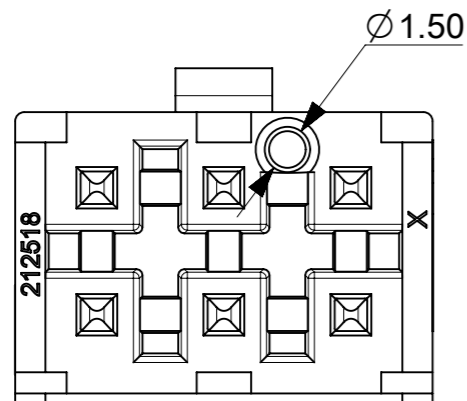
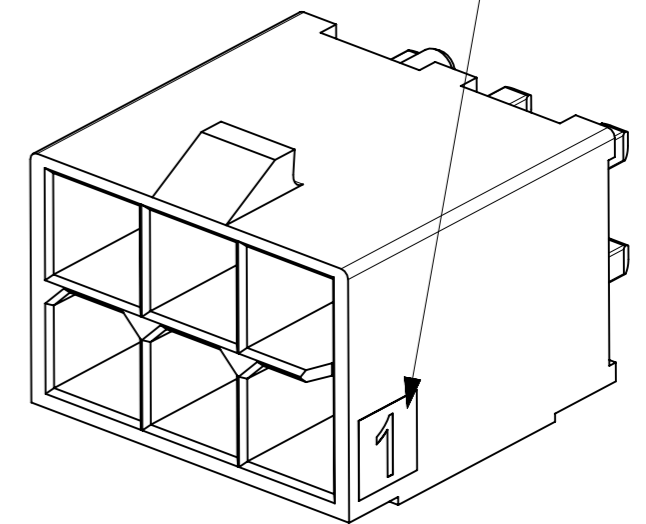


MOLEX LOGO

CKT NO.



NOTES:

1. MATERIALS:
HOUSING - LCP UL94V-0, COLOR: BLACK
TERMINAL - COPPER ALLOY
2. TERMINAL PLATING: TIN OVER NICKEL OVERALL.
3. PRODUCT SPECIFICATION: 2125150000-PS.
4. PACKAGING SPECIFICATION: TRAY PACK PER: 212520001-PK
5. PART MATES WITH MINI-FIT MAX RECEPTACLE SERIES 212514.
6. DISCOLORIZATION IN THE BANDOLIER CARRIER AREA OF THE PIN IS INHERENT TO THE PLATING PROCESS AND IS DUE TO THE MASKING EFFECT OF THE CARRIER. THIS DISCOLORIZATION IS A NON-FUNCTIONAL AREA OF THE PIN AND WILL NOT AFFECT THE PERFORMANCE OF THE HEADER ASSEMBLY.
7. CONNECTORS ARE NOT TO BE MATED OR UNMATED WHILE CIRCUITS ARE LIVE.
8. PARTS ARE NOT DESIGNED FOR CURRENT SHARING.
9. THIS PART CONFORMS TO CLASS "B" REQUIREMENTS OF COSMETIC SPECIFICATION PS-45499-002.
10. TEXT ON PART IS FOR REFERENCE ONLY. TEXT AND TEXT LOCATION MAY VARY DEPENDING ON PART NUMBER AND/OR TOOL.

FUNCTIONAL SYMBOLS	THIS DRAWING CONTAINS INFORMATION THAT IS PROPRIETARY TO MOLEX ELECTRONIC TECHNOLOGIES, LLC AND SHOULD NOT BE USED WITHOUT WRITTEN PERMISSION		CURRENT REV DESC:		molex
	MM	SCALE			
FA = 0	mm	4:1			MINI-FIT MAX DR HDR VERTICAL VERT. HEADER ASSY 2-12 CKT
FE = 0	GENERAL TOLERANCES (UNLESS SPECIFIED)				PRODUCT CUSTOMER DRAWING
FE = 0	ANGULAR TOL ± °				DOCUMENT NUMBER
DIVISIONAL SYMBOLS	4 PLACES	±	EC NO: 712754	2022/07/01	2125200001-SD
	3 PLACES	±	DRWN: ZIXUAQ	2022/07/01	
	2 PLACES	± 0.25	CHK'D: XQZHANG	2022/07/01	DOC TYPE
	1 PLACE	± 0.5	APPR: XQZHANG	2022/07/01	DOC PART
	0 PLACES	±	INITIAL REVISION:		REVISION
DRAFT WHERE APPLICABLE MUST REMAIN WITHIN DIMENSIONS		THIRD ANGLE PROJECTION	DRWING	SERIES	MATERIAL NUMBER
			A3-SIZE	212520	SEE TABLE
			GENERAL MARKET		SHEET NUMBER
					1 OF 2

