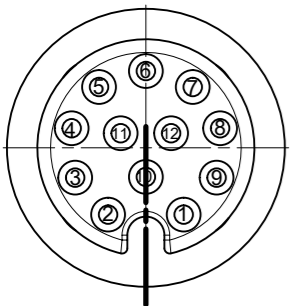


U12 12 POLE FEMALE



VIEW FROM THE FRONT SIDE

PIN	WIRE COLOR
1	WH
2	BN
3	GN
4	YE
5	GY
6	PK
7	BU
8	RD
9	BK
10	VT
11	GY/PK
12	RD/BU

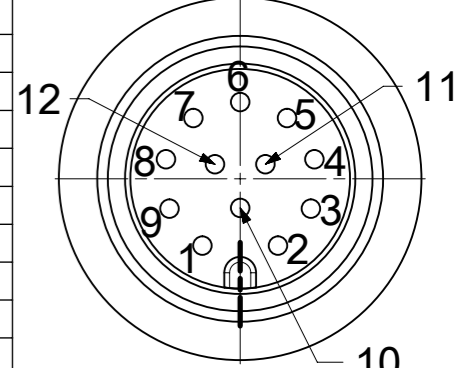
SHIELD CONNECTED TO THE HOUSING

PART No. MATRIX

W W C S 3 0 X X X X X X X X

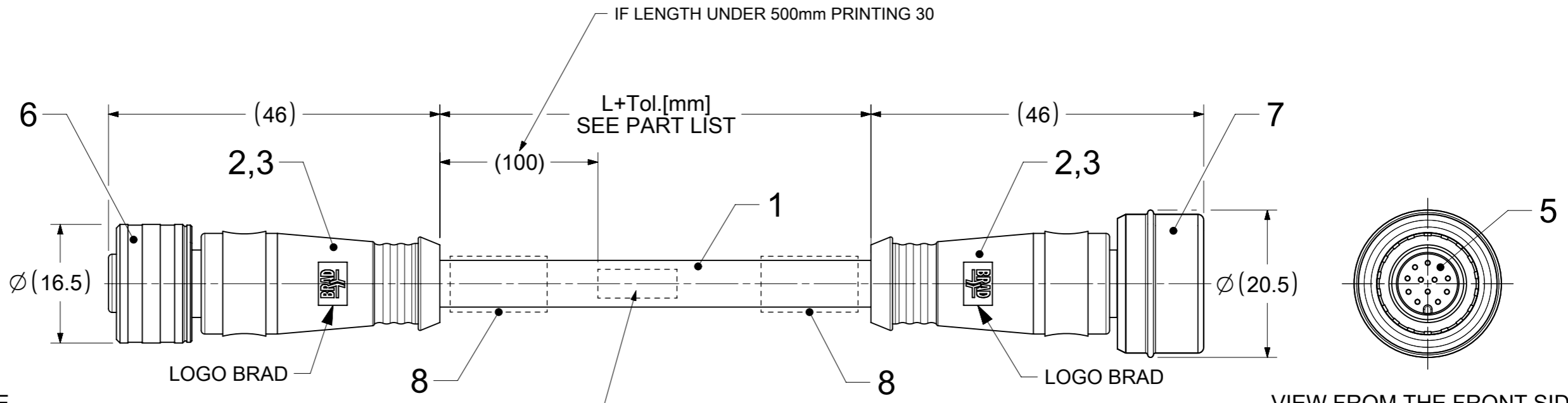
WW = ULTRA-LOCK ON BOTH SIDE
HEAD STYLE: 030 = SHIELDED MALE STR TO FEMALE STR
Poles: C = 12 Poles
Cable: P45 TYPE
Units: M = Meter, C = Centimeter
Length Examples: 005 = 0.5 m, 010 = 1 m, 050 = 5 m, 100 = 10 m
Molding color: Blank = YELLOW, G = BLACK, Nut Material: Blank = Standard, 7 = Teflon

U12 12 POLE MALE



VIEW FROM THE FRONT SIDE

SHIELD CONNECTED TO THE HOUSING



PART LIST

MOLEX PN	ENGINEERING No	OVERMOULD	L+Tol. [mm]
1200835020	WWCS30P45M020	YELLOW	2000 +89
1200835022	WWCS30P45M050	YELLOW	5000 +165
1200835044	WWCS30P45M010	YELLOW	1000 +56
1200835386	WWCS30P45M100	YELLOW	10000 +317
1200210006	WWCS30P45M030G	BLACK	3000 +89
1200835045	WWCS30P45M010G	BLACK	1000 +56
1200835293	WWCS30P45M020G	BLACK	20000 +610

BOM

ITEM	QTY.	DESCRIPTION	MATERIAL	COLOR/FINISH
8	2	I/D CARRIER	-	-
7	1	MALE ULTRALOCK ASSEMBLY	-	-
6	1	FEMALE ULTRALOCK ASSEMBLY	-	-
5	12	MALE CONTACT	BRASS	Au OVER Ni-PLATED
4	12	EMALE CONTACT	BRASS	Au OVER Ni-PLATED
3	1	SLEEVE SHIELD	BRASS	Ni-PLATED
2	-	OVERMOULD	TPU	BLACK/YELLOW
1	-	CABLE	PUR	BLACK
ITEM	QTY.	DESCRIPTION	MATERIAL	COLOR/FINISH

NOTES :
RATED VOLTAGE : 30V AC/DC
RATED CURRENT : 1.5 Amps
CONTACT RESISTANCE : <5 mOhm
IP RATING : IP67
TEMPERATURE RANGE : -25°C TO +90°C

FUNCTIONAL SYMBOLS	THIS DRAWING CONTAINS INFORMATION THAT IS PROPRIETARY TO MOLEX ELECTRONIC TECHNOLOGIES, LLC AND SHOULD NOT BE USED WITHOUT WRITTEN PERMISSION	CURRENT REV DESC:		
	DIMENSION UNITS: mm SCALE: 3:2 GENERAL TOLERANCES (UNLESS SPECIFIED): ANGULAR TOL ± 1.0° 4 PLACES ± 3 PLACES ± 2 PLACES ± 0.05 1 PLACE ± 0.3 0 PLACES ± 0.5	EC NO: 703538 DRWN: SSM CHK'D: RSILLER APPR: RSILLER INITIAL REVISION: DRWN: SSM APPR: RSILLER		
DIVISIONAL SYMBOLS	DRAFT WHERE APPLICABLE MUST REMAIN WITHIN DIMENSIONS	THIRD ANGLE PROJECTION	DRAWING: A3-SIZE	SERIES: 120083
MATERIAL NUMBER: SEE PART LIST		CUSTOMER: GENERAL MARKET		SHEET NUMBER: 1 OF 1