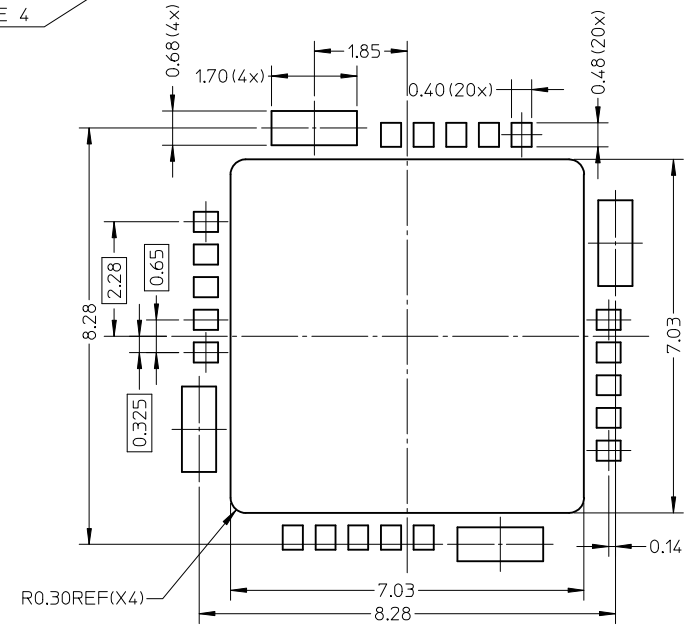


SECTION Z-Z



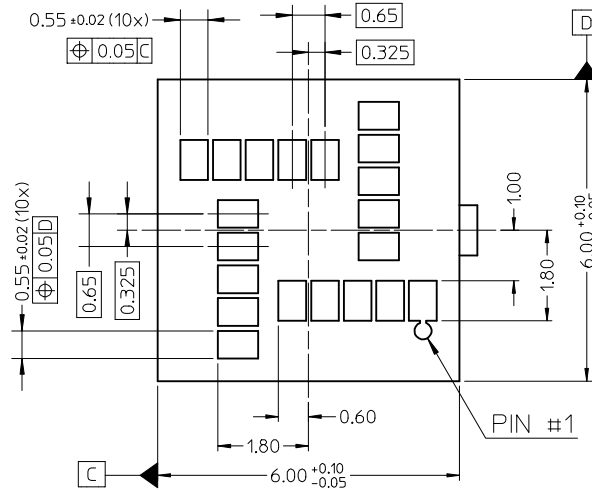
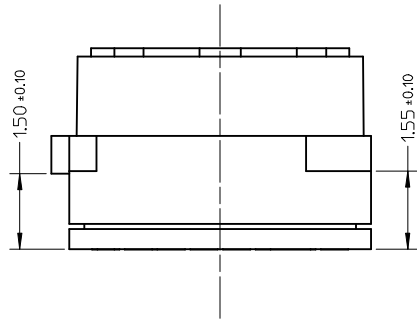
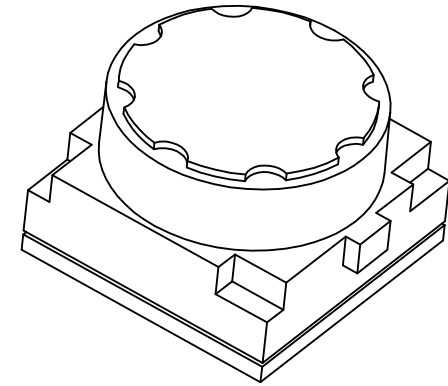
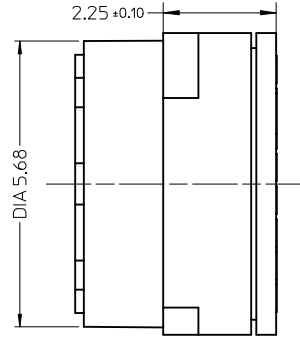
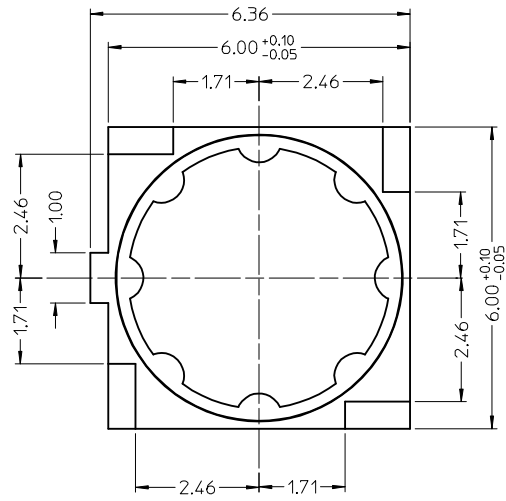
RECOMMENDED PCB LAYOUT  
TOLERANCE:0.05mm

NOTES:

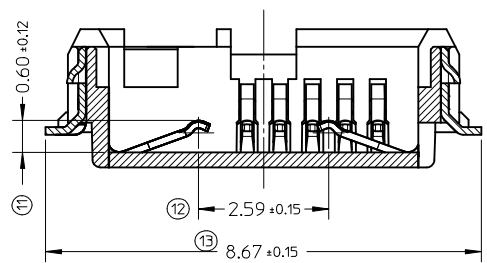
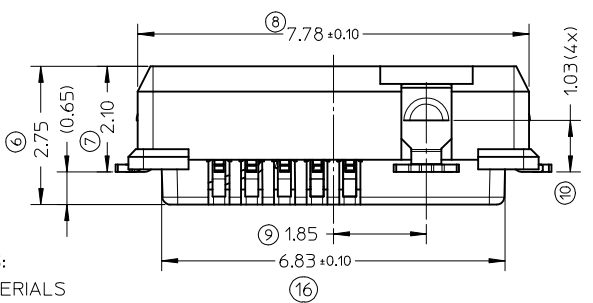
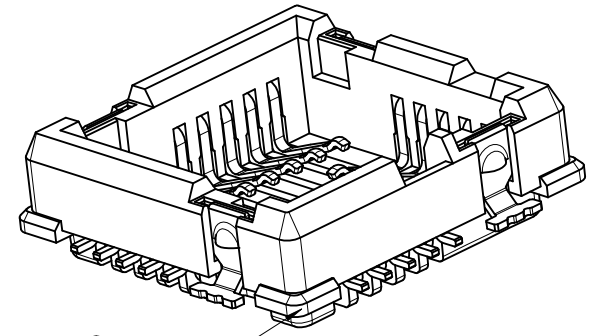
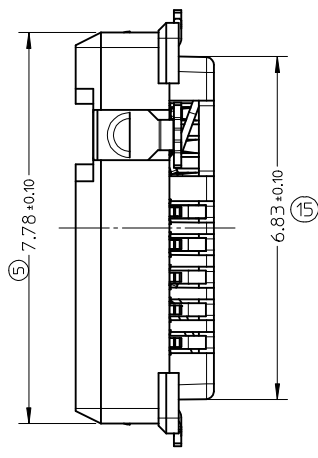
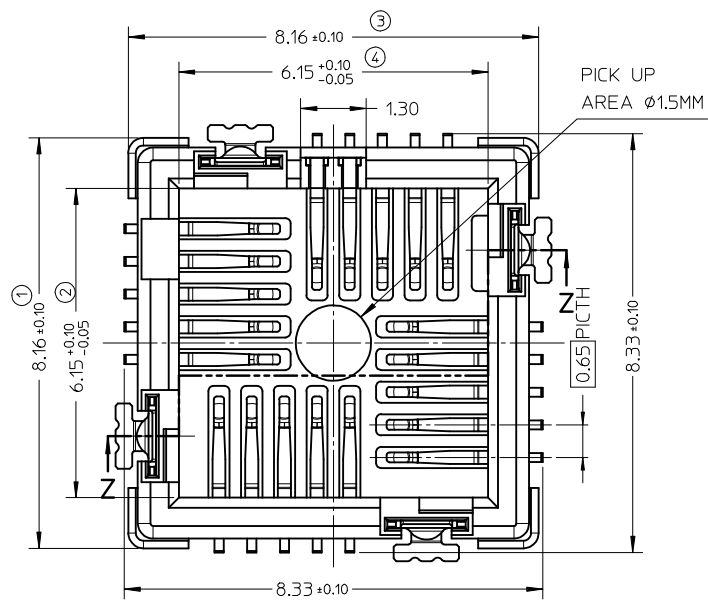
- MATERIALS  
HOUSING: HIGH-TEMP THERMAL PLASTIC BLACK, UL94 V-0  
TERMINAL: COPPER ALLOY.  
FITTING NAIL: COPPER ALLOY
- FINISH  
TERMINAL: 2-4 MICROMETER NICKEL UNDERPLATING OVERALL,  
GOLD PLATING 0.3 MICROMETER ON CONTACT AREA,  
GOLD FLASH PLATING ON SOLDER AREA.  
FITTING NAIL: 2.0 MIN MIRON NICKEL PLATING OVERALL  
GOLD FLASH PLATING ON SOLDER AREA.
- COPLANARITY 0.08MM FOR ALL SOLDER TAILS. (14)
- THE MARKED \*CORNER RADII IS 0.3MM FOR REF. TOTAL FOUR CORNERS  
MATCHED WITH RECOMMENDED PCB'S FOUR CORNERS.
- PRODUCT SPECIFICATION: RPS-105189-001
- PACKAGING: TAPE&REEL
- APPLICABLE CAMERA MODULE SEE SHEET 2.

PROPOSAL EC NO: SH2014-0014 DRWN: CGL1 CHKD: APPR: AYIN 2013/07/10 2013/07/30	QUALITY SYMBOLS ▽=0 ▽=0 ▽=0	GENERAL TOLERANCES (UNLESS SPECIFIED)		DIMENSION STYLE MM ONLY		SCALE 10:1	DESIGN UNITS METRIC		THIRD ANGLE PROJECTION	
		4 PLACES ± --- ± --- 3 PLACES ± --- ± --- 2 PLACES ± 0.15 ± --- 1 PLACE ± 0.25 ± --- ANGULAR ± 3 °	mm INCH	DRAWN BY CGL1	DATE 2013/07/10	TITLE 0.65 SINK MID MOUNT 6X6 CAMERA SOCKET SMT W/4 NAIL TYPE				
		DRAFT WHERE APPLICABLE MUST REMAIN WITHIN DIMENSIONS		APPROVED BY AYIN	DATE 2013/07/30	MATERIAL NO. 1051890001		DOCUMENT NO. SD-105189-001		SHEET NO. 1 OF 2
THIS DRAWING CONTAINS INFORMATION THAT IS PROPRIETARY TO MOLEX INCORPORATED AND SHOULD NOT BE USED WITHOUT WRITTEN PERMISSION										

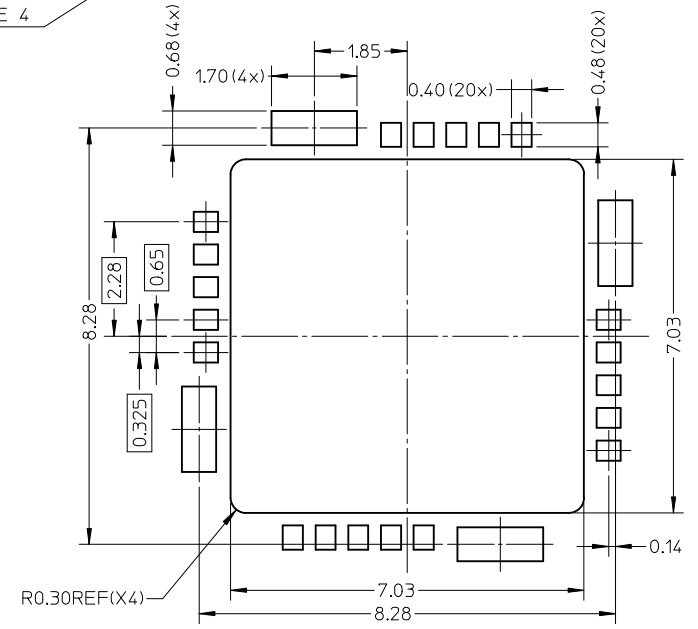
# APPLIED MODULE



<b>PROPOSAL</b> EC NO: SH2014-0014 DRW: CGL I CH'KD: APPR: AYIN 2013/07/10 2013/07/30	QUALITY SYMBOLS FA=0 FE=0 FP=0	GENERAL TOLERANCES (UNLESS SPECIFIED)		DIMENSION STYLE <b>MM ONLY</b>		SCALE <b>10:1</b>	DESIGN UNITS <b>METRIC</b>	THIRD ANGLE PROJECTION			
		4 PLACES ± --- ± --- 3 PLACES ± --- ± --- 2 PLACES ± 0.15 ± --- 1 PLACE ± 0.25 ± ---	mm INCH ± --- ± --- ± 0.15 ± --- ± 0.25 ± ---	DRAWN BY CGL I	DATE 2013/07/10	TITLE <b>0.65 SINK MID MOUNT                  6X6 CAMERA SOCKET                  SMT W/4 NAIL TYPE</b>					
		ANGULAR ± 3 °		APPROVED BY AYIN	DATE 2013/07/30	<b>molex</b>					
		DRAFT WHERE APPLICABLE MUST REMAIN WITHIN DIMENSIONS		MATERIAL NO. <b>1051890001</b>	DOCUMENT NO. <b>SD-105189-001</b>	SHEET NO. <b>2 OF 2</b>					



SECTION Z-Z



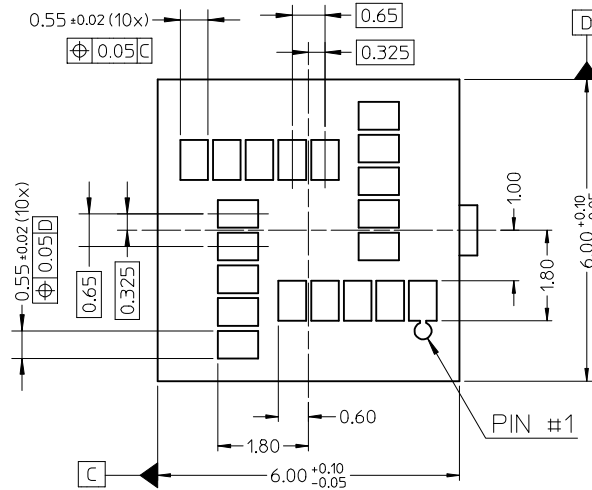
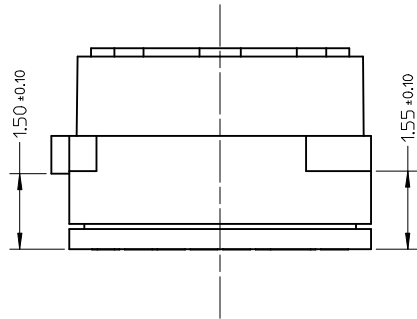
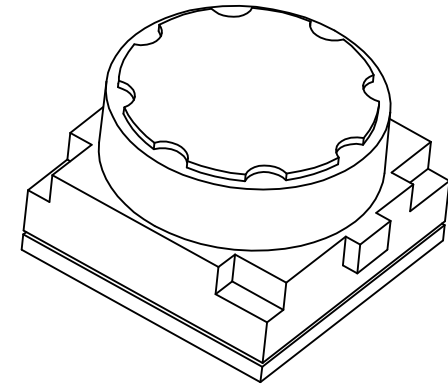
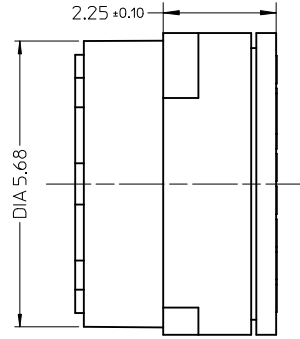
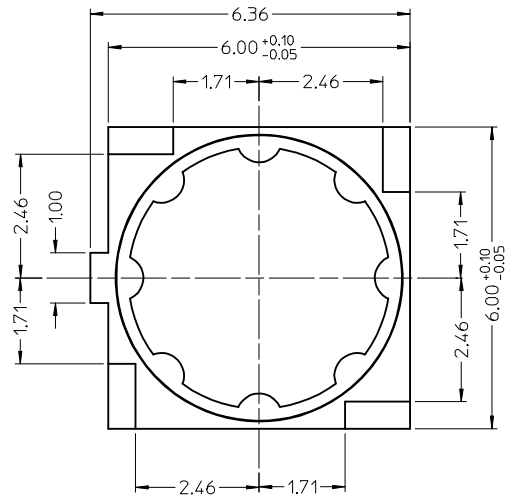
RECOMMENDED PCB LAYOUT  
TOLERANCE:0.05mm

NOTES:

1. MATERIALS  
HOUSING: HIGH-TEMP THERMAL PLASTIC BLACK, UL94 V-0  
TERMINAL: COPPER ALLOY.  
FITTING NAIL: COPPER ALLOY
2. FINISH  
TERMINAL: 2-4 MICROMETER NICKEL UNDERPLATING OVERALL,  
GOLD PLATING 0.3 MICROMETER ON CONTACT AREA,  
GOLD FLASH PLATING ON SOLDER AREA.  
FITTING NAIL: 2.0 MIN MIRON NICKEL PLATING OVERALL  
GOLD FLASH PLATING ON SOLDER AREA.
- 3.COPLANARITY 0.08MM FOR ALL SOLDER TAILS. (14)
- 4.THE MARKED\*CORNER RADII IS 0.3MM FOR REF. TOTAL FOUR CORNERS  
MATCHED WITH RECOMMENDED PCB'S FOUR CORNERS.
- 5.PRODUCT SPECIFICATION: RPS-105189-001
6. PAKAGING: TAPE&REEL
7. APPLICABLE CAMERA MODULE SEE SHEET 2.

PROPOSAL EC NO: SH2014-0014 DRWN:GCL1 CHKD: APPR:AYIN 2013/07/10 2013/07/30	QUALITY SYMBOLS ▽=0 ▽=0 ▽=0	GENERAL TOLERANCES (UNLESS SPECIFIED)		DIMENSION STYLE MM ONLY		SCALE 10:1	DESIGN UNITS METRIC	THIRD ANGLE PROJECTION			
		4 PLACES ± --- ± ---	3 PLACES ± --- ± ---	2 PLACES ± 0.15 ± ---	1 PLACE ± 0.25 ± ---	mm INCH	DRAWN BY CGL1	DATE 2013/07/10	TITLE 0.65 SINK MID MOUNT 6X6 CAMERA SOCKET SMT W/4 NAIL TYPE		
		ANGULAR ± 3 °				APPROVED BY AYIN		DATE 2013/07/30	molex		
		DRAFT WHERE APPLICABLE MUST REMAIN WITHIN DIMENSIONS				MATERIAL NO. 1051890001	DOCUMENT NO. SD-105189-001		SHEET NO. 1 OF 2		
THIS DRAWING CONTAINS INFORMATION THAT IS PROPRIETARY TO MOLEX INCORPORATED AND SHOULD NOT BE USED WITHOUT WRITTEN PERMISSION				SIZE A3							

# APPLIED MODULE



<b>PROPOSAL</b> EC NO: SH2014-0014 DRWNG: CGL I CH'KD: APPR: AYIN 2013/07/10 2013/07/30	QUALITY SYMBOLS FA=0 FE=0 FP=0	GENERAL TOLERANCES (UNLESS SPECIFIED)		DIMENSION STYLE <b>MM ONLY</b>	SCALE <b>10:1</b>	DESIGN UNITS <b>METRIC</b>	THIRD ANGLE PROJECTION			
		4 PLACES ± --- ± --- 3 PLACES ± --- ± --- 2 PLACES ± 0.15 ± --- 1 PLACE ± 0.25 ± ---	mm    INCH	DRAWN BY CGL I	DATE 2013/07/10	TITLE <b>0.65 SINK MID MOUNT                  6X6 CAMERA SOCKET                  SMT W/4 NAIL TYPE</b>				
		ANGULAR ± 3 °		APPROVED BY AYIN	DATE 2013/07/30	<b>molex</b>				
		DRAFT WHERE APPLICABLE MUST REMAIN WITHIN DIMENSIONS		MATERIAL NO. <b>1051890001</b>	DOCUMENT NO. <b>SD-105189-001</b>	SHEET NO. <b>2 OF 2</b>				