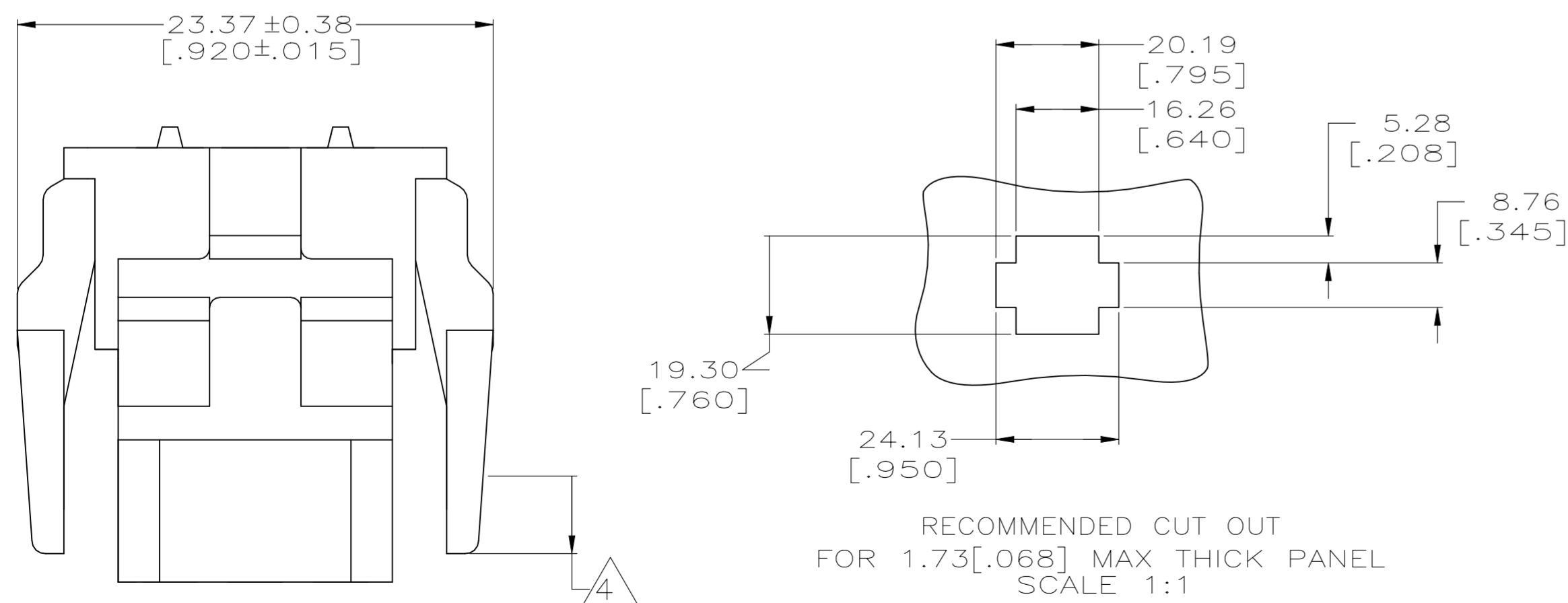
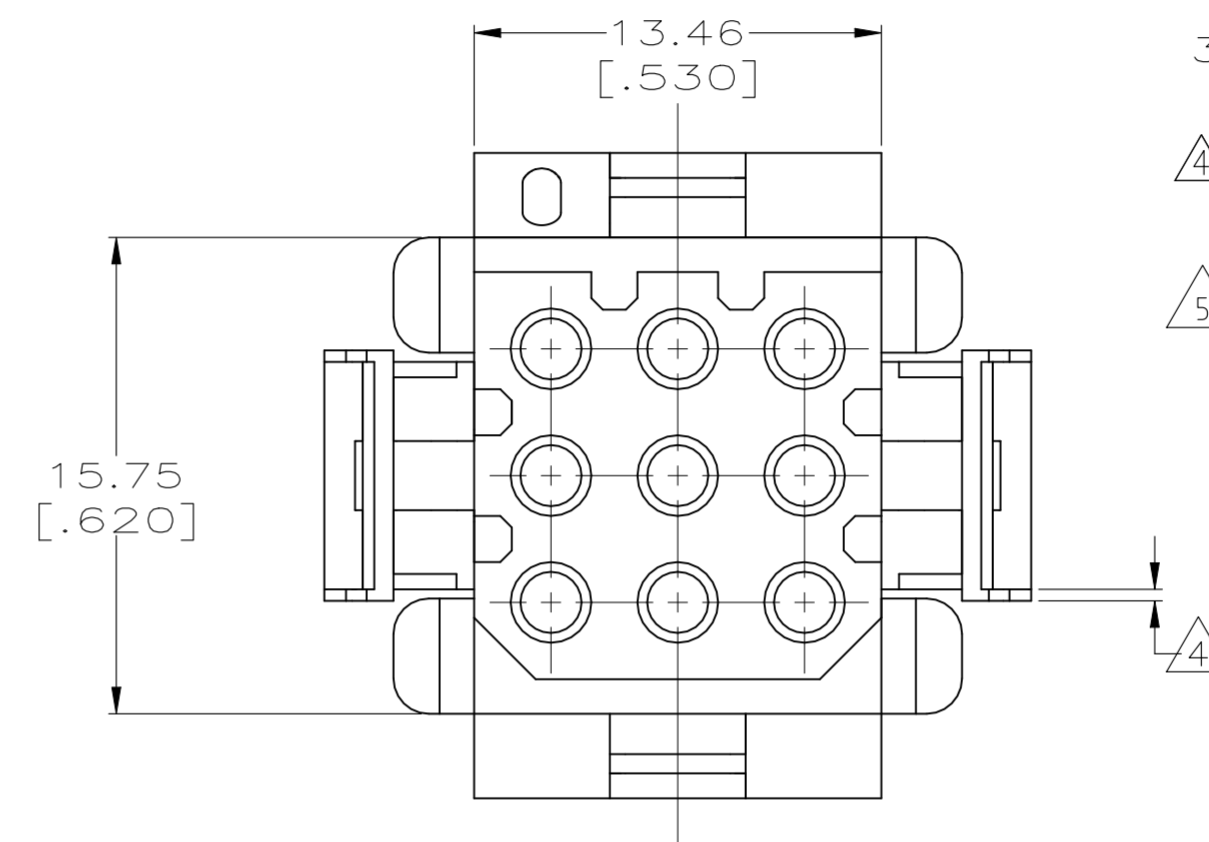
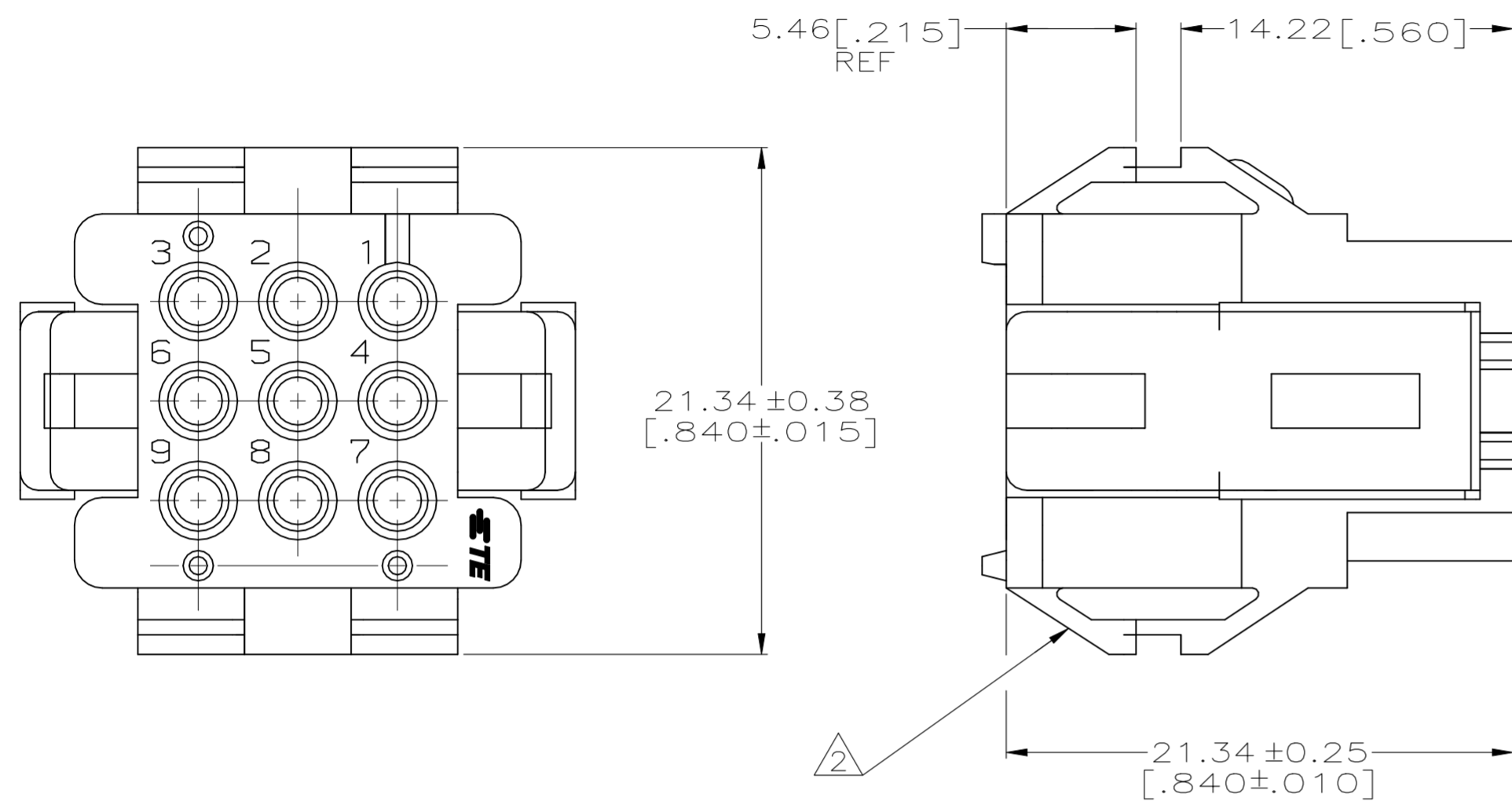


| REVISIONS |     |               |           |     |      |
|-----------|-----|---------------|-----------|-----|------|
| P         | LTR | DESCRIPTION   | DATE      | DWN | APVD |
| G         |     | ECO-21-006875 | 19OCT2021 | RK  | MZ   |

- MATES WITH HOUSING 640511.
- UL LOGO AND CSA LOGO TO APPEAR ON EITHER LATCH SURFACE PER AMP SPEC 202-20, I.D. NO. 1-18838-3 AND 1-18839-3. FROST BACKGROUND OPTIONAL.
- DIMENSIONS IN BRACKETS ARE IN INCHES.
- NON-FILL PERMITTED UP TO 3.8[.15] FROM EDGE OF LATCH ARM ON THE 0.38[.015] THICK FLANGE, 4 PLC.
- HOUSING MATERIAL: PA66, BLACK, UL 94 V-0 RATED



1-640521-0  
PART NUMBER

|   |  |                                |   |                    |                        |
|---|--|--------------------------------|---|--------------------|------------------------|
| THIS DRAWING IS A CONTROLLED DOCUMENT.  |  | DWN<br>R. VESTAL<br>12-01-97   | TE Connectivity                             |                    |                        |
| DIMENSIONS:<br>mm [INCHES]  |  | CHK<br>R. SWING<br>12-01-97    |   |                    |                        |
| TOLERANCES UNLESS OTHERWISE SPECIFIED:  |  | APVD<br>A. BEDDICK<br>12-01-97 | NAME<br>HOUSING, PLUG<br>MRII<br>9 POSITION |                    |                        |
| 0 PLC ± -<br>1 PLC ± -<br>2 PLC ± 0.13[.005]<br>3 PLC ± -<br>4 PLC ± -<br>ANGLES ± 0° 30' |  | PRODUCT SPEC<br>-              | SIZE<br>A2                                  | CAGE CODE<br>00779 | DRAWING NO<br>C-640521 |
| MATERIAL  |  | FINISH<br>-                    | WEIGHT<br>-                                 | RESTRICTED TO<br>- |                        |
| CUSTOMER DRAWING  |  |                                | SCALE<br>4:1                                | SHEET<br>1 of 1    | REV<br>G               |

