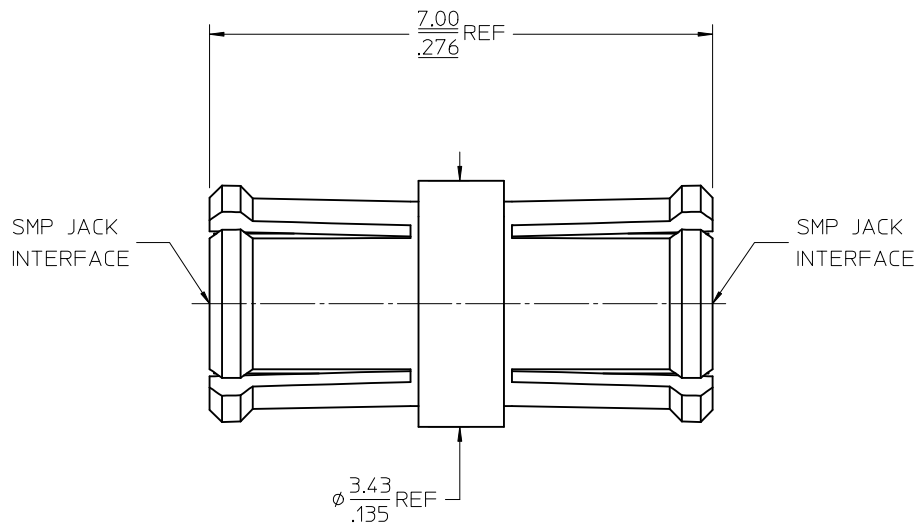
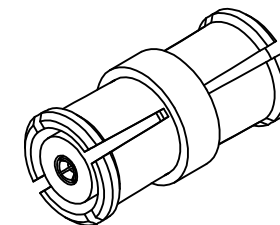


MATERIALS AND FINISHES

BODY BERYLLIUM COPPER
PLATED GOLD

CENTER CONTACT BERYLLIUM COPPER
PLATED GOLD

INSULATOR TEFLON



73415-3022	73415-3020 20 PCS PER SMALL TRAY (89707-0308)
73415-3021	73415-3020 ONE PER BAG
73415-3020	250 PCS PER BAG
PART NO.	DESCRIPTION

MIL-STD-348A, FIG. 326.1	INTERFACE
SPECIFICATION	DESCRIPTION

CHG: ADDED PACKAGING PER RF15-E356 EC NO: URF2016-0301 DRWNR: YEH CHKD: APPR: YCHENG 2015/10/16 2015/10/20 DESCRIPTION REV: A2	QUALITY SYMBOLS ▽=0 ▽=0 ▽=0
--	--------------------------------------

GENERAL TOLERANCES (UNLESS SPECIFIED) mm INCH 4 PLACES ± --- ± --- 3 PLACES ± --- ± --- 2 PLACES ± --- ± --- 1 PLACE ± --- ± --- 0 PLACE ± ± ANGULAR ± 2 ° DRAFT WHERE APPLICABLE MUST REMAIN WITHIN DIMENSIONS

DIMENSION STYLE MM/IN DRAWN BY: SSS CHECKED BY: TEF APPROVED BY: GMH DATE: 03/01/28 DATE: 03/01/28 DATE: 03/01/28 MATERIAL NO. SEE TABLE

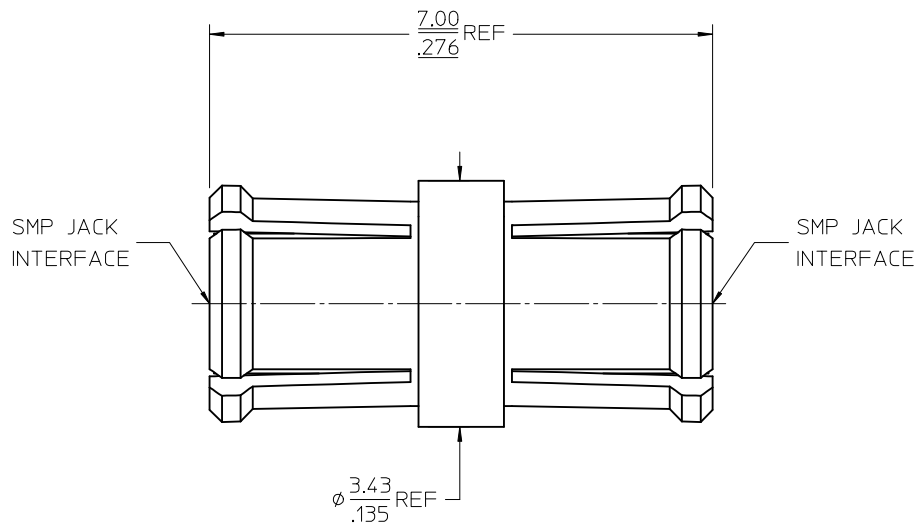
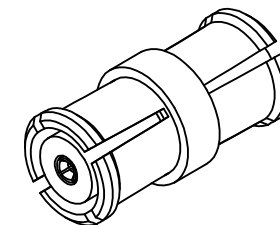
SCALE: 19:1 DESIGN UNITS: METRIC THIRD ANGLE PROJECTION TITLE: SMP JACK ADAPTER SMP-J/J/ADP molex DOCUMENT NO.: SD-73415-302 SHEET NO.: 1 OF 1 THIS DRAWING CONTAINS INFORMATION THAT IS PROPRIETARY TO MOLEX INCORPORATED AND SHOULD NOT BE USED WITHOUT WRITTEN PERMISSION

MATERIALS AND FINISHES

BODY BERYLLIUM COPPER
PLATED GOLD

CENTER CONTACT BERYLLIUM COPPER
PLATED GOLD

INSULATOR TEFLON



73415-3022	73415-3020 20 PCS PER SMALL TRAY (89707-0308)
73415-3021	73415-3020 ONE PER BAG
73415-3020	250 PCS PER BAG
PART NO.	DESCRIPTION

MIL-STD-348A, FIG. 326.1	INTERFACE
SPECIFICATION	DESCRIPTION

CHG: ADDED PACKAGING PER RF15-E356 EC NO: URF2016-0301 DRWR:YEH 2015/10/16 CHKD: APPR:YCHENG 2015/10/20 DESCRIPTION REV: A2	QUALITY SYMBOLS ▽=0 ▽=0 ▽=0
---	--------------------------------------

GENERAL TOLERANCES (UNLESS SPECIFIED) mm INCH 4 PLACES ± --- ± --- 3 PLACES ± --- ± --- 2 PLACES ± --- ± --- 1 PLACE ± --- ± --- 0 PLACE ± ± ANGULAR ± 2 ° DRAFT WHERE APPLICABLE MUST REMAIN WITHIN DIMENSIONS

DIMENSION STYLE MM/IN DRAWN BY SSS DATE 03/01/28 CHECKED BY TEF DATE 03/01/28 APPROVED BY GMH DATE 03/01/28 MATERIAL NO. SEE TABLE
--

SCALE 19:1 DESIGN UNITS METRIC THIRD ANGLE PROJECTION TITLE SMP JACK ADAPTER SMP-J/J/ADP molex DOCUMENT NO. SD-73415-302 SHEET NO. 1 OF 1 THIS DRAWING CONTAINS INFORMATION THAT IS PROPRIETARY TO MOLEX INCORPORATED AND SHOULD NOT BE USED WITHOUT WRITTEN PERMISSION
--