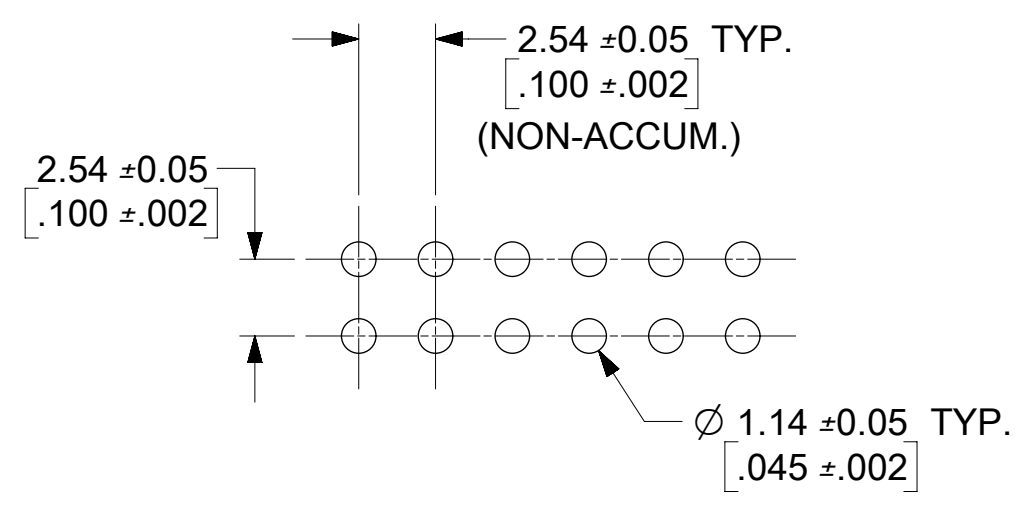
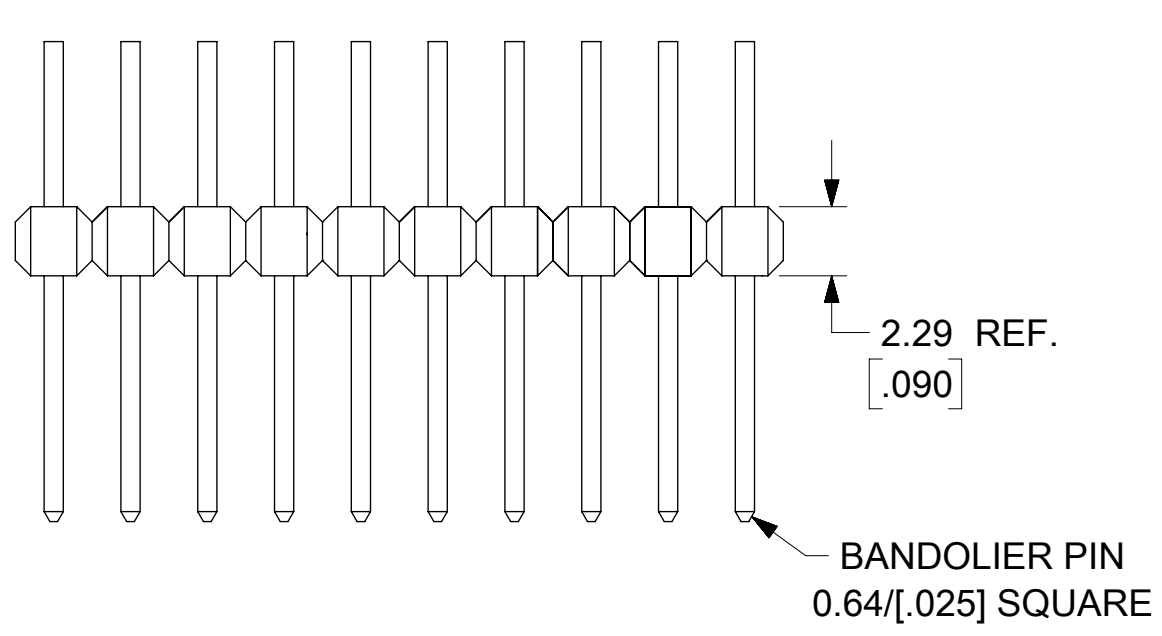
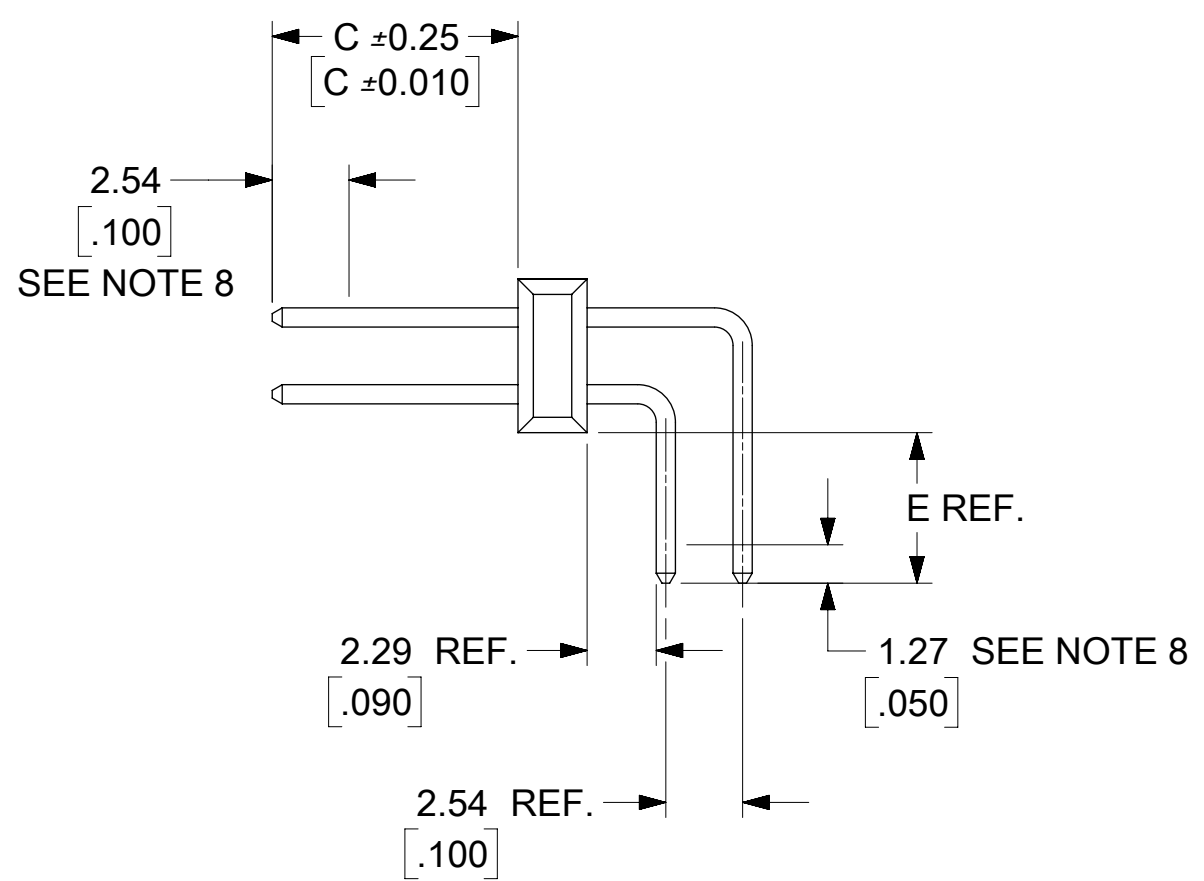
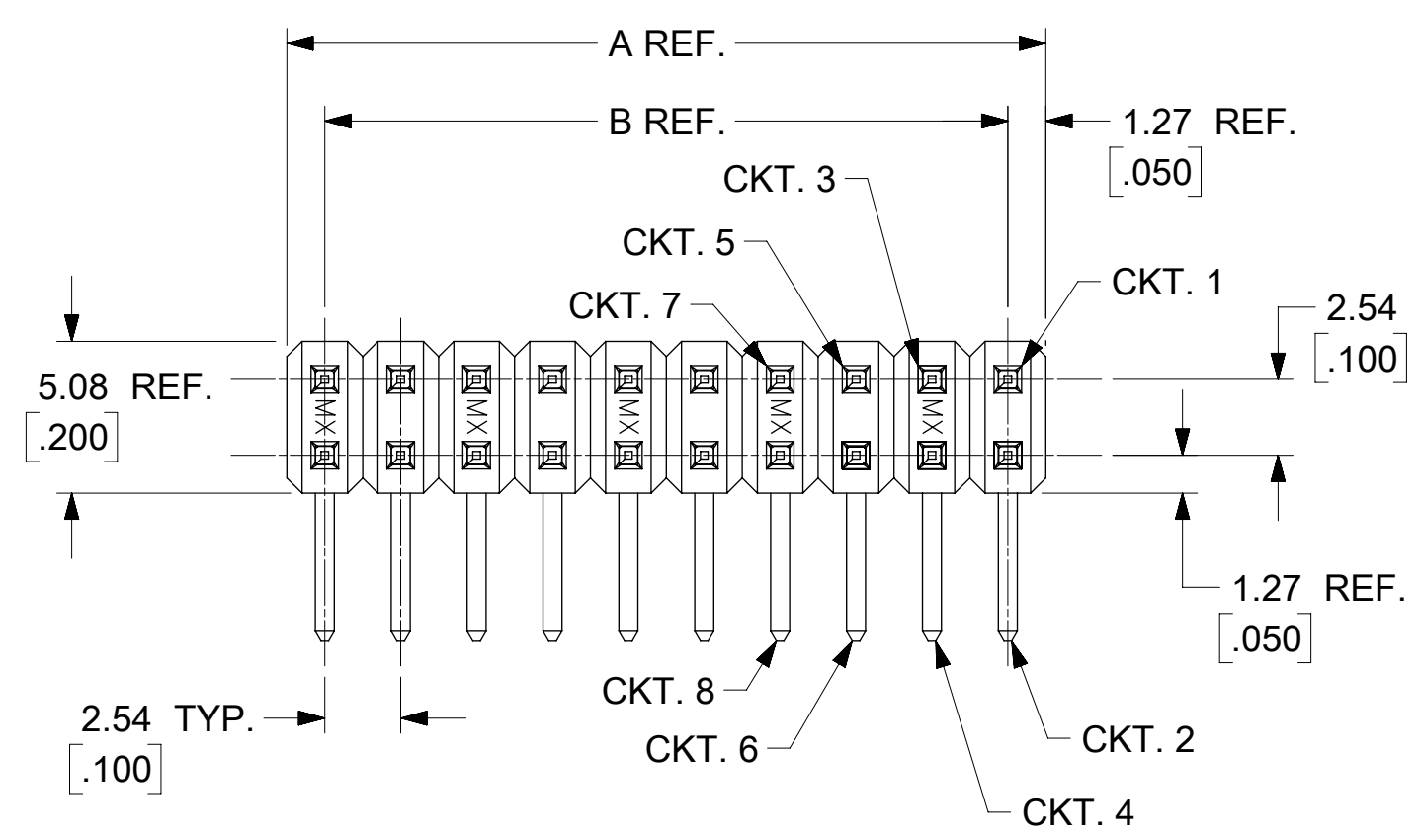


CKTS	A	B
04	5.08/[.200]	2.54/[.100]
06	7.62/[.300]	5.08/[.200]
08	10.16/[.400]	7.62/[.300]
10	12.70/[.500]	10.16/[.400]
12	15.24/[.600]	12.70/[.500]
14	17.78/[.700]	15.24/[.600]
16	20.32/[.800]	17.78/[.700]
18	22.86/[.900]	20.32/[.800]
20	25.40/[1.000]	22.86/[.900]
22	27.94/[1.100]	25.40/[1.000]
24	30.48/[1.200]	27.94/[1.100]
26	33.02/[1.300]	30.48/[1.200]
28	35.56/[1.400]	33.02/[1.300]
30	38.10/[1.500]	35.56/[1.400]



RECOMMENDED P.C. BOARD HOLE LAYOUT



- NOTES:
- MATERIAL: WAFER - HIGH TEMPERATURE THERMAL PLASTIC, 94V-0; COLOR: BLACK  
PIN - COPPER ALLOY
  - PLATING:  
TIN - 0.00381/[.000150] MINIMUM TIN PLATE OVER NICKEL PLATE.  
15 GOLD - 0.00038/[.000015] MINIMUM GOLD PLATE IN SELECT AREA, 0.00191/[.000075] MINIMUM TIN PLATE IN SELECT AREA, OVER NICKEL PLATE OVERALL.  
30 GOLD - 0.00076/[.000030] MINIMUM GOLD PLATE IN SELECT AREA, 0.00191/[.000075] MINIMUM TIN PLATE IN SELECT AREA, OVER NICKEL PLATE OVERALL.  
\* THE PRIMARY SHIPPING CARTON WILL BE LABELED "COMPLIANT TO RoHS DIRECTIVE 2002/95/EC AND ELV ANNEX II OF DIRECTIVE 2000/53/EC". CARTONS WITHOUT THIS LABEL MAY CONTAIN PRODUCT WITH LEAD.
  - PRODUCT CONFORMS TO PS-71764.
  - PACKAGING INFORMATION:  
FOR 4 THRU 8 CIRCUIT PARTS USE PK-70873-0353  
FOR 10 CIRCUITS AND OVER USE PK-70873-0075
  - FOR ILLUSTRATION PURPOSES, 20 (DUAL 10) CIRCUIT SIZE IS SHOWN.
  - PINS MUST MEET SOLDERABILITY SPEC. ES-152, EXCEPT VOIDS ARE PERMISSIBLE AT BANDOLIER PIN AT BANDOLIER PIN FAYING SURFACE. (APPROX. 0.64/[.025] LNG X 0.15/[.006] WD. REF.) 2 LOCATIONS
  - WAFER TO BE FLAT WITHIN 0.03 MM/CM OR [.003 IN./IN]
  - MEASURE POINT FOR PLATING THICKNESS.
  - THIS PART CONFORMS TO CLASS B REQUIREMENTS OF COSMETIC SPECIFICATION PS-45499-002

THIS DRAWING CONTAINS INFORMATION THAT IS PROPRIETARY TO MOLEX ELECTRONIC TECHNOLOGIES, LLC AND SHOULD NOT BE USED WITHOUT WRITTEN PERMISSION

DIMENSION UNITS	SCALE	CURRENT REV DESC: MIGRATED TO NX	
MM/INCH	4:1		
GENERAL TOLERANCES (UNLESS SPECIFIED)			
	MM	INCH	
4 PLACES	±	±	
3 PLACES	±	± 0.01	
2 PLACES	± 0.25	± 0.01	
1 PLACE	± 0.25	±	
0 PLACES	±	±	
ANGULAR TOL	± 0.5 °		
DRAFT WHERE APPLICABLE MUST REMAIN WITHIN DIMENSIONS		THIRD ANGLE PROJECTION	DRAWING SERIES
			C-SIZE 71764
		EC NO: 613447	2019/03/07
		DRWN: ABABU01	2019/03/11
		CHK'D: NMANE02	2019/03/11
		APPR: MRAMAKRISHNA	2019/03/11
		INITIAL REVISION:	
		DRWN: CAC	1995/08/23
		APPR: DJB	1995/08/23
DOCUMENT NUMBER	DOC TYPE	DOC PART	REVISION
SD-71764-001	PSD	001	A3
MATERIAL NUMBER	CUSTOMER	SHEET NUMBER	
SEE TABLE	GENERAL MARKET	1 OF 3	

ITEM NO: 71764-0004/0030, 9003		
DIM. C	6.10/[.240]	
DIM. E (REF.)	2.79/[.110]	
FINISH	TIN	
CONNECTOR END PLATING	TIN	
P.C. BOARD END PLATING	TIN	
PACKAGING	SEE NOTE 4 SHEET 1	
CKTS	ITEM NUMBER	VOIDS
04	71764-0004	
06	71764-0006	
08	71764-0008	
10	71764-0010	
12	71764-0012	
14	71764-0014	
16	71764-0016	
18	71764-0018	
20	71764-0020	
22	71764-0022	
24	71764-0024	
26	71764-0026	
28	71764-0028	
30	71764-0030	
06	71764-9003	3

ITEM NO: 71764-0104/0130, 9001, 9004		
DIM. C	6.10/[.240]	
DIM. E (REF.)	2.79/[.110]	
FINISH	15 GOLD	
CONNECTOR END PLATING	GOLD	
P.C. BOARD END PLATING	TIN	
PACKAGING	SEE NOTE 4 SHEET 1	
CKTS	ITEM NUMBER	VOIDS
04	71764-0104	
06	71764-0106	
08	71764-0108	
10	71764-0110	
12	71764-0112	
14	71764-0114	
16	71764-0116	
18	71764-0118	
20	71764-0120	
22	71764-0122	
24	71764-0124	
26	71764-0126	
28	71764-0128	
30	71764-0130	
06	71764-9001	3, 4
08	71764-9004	5, 6

ITEM NO: 71764-0204/0230, 9000, 9002		
DIM. C	6.10/[.240]	
DIM. E (REF.)	2.79/[.110]	
PLATING FINISH	30 GOLD	
CONNECTOR END PLATING	GOLD	
P.C. BOARD END PLATING	TIN	
PACKAGING	SEE NOTE 4 SHEET 1	
CKTS	ITEM NUMBER	VOIDS
04	71764-0204	
06	71764-0206	
08	71764-0208	
10	71764-0210	
12	71764-0212	
14	71764-0214	
16	71764-0216	
18	71764-0218	
20	71764-0220	
22	71764-0222	
24	71764-0224	
26	71764-0226	
28	71764-0228	
30	71764-0230	
06	71764-9002	3, 4
10	71764-9000	8

THIS DRAWING CONTAINS INFORMATION THAT IS PROPRIETARY TO MOLEX ELECTRONIC TECHNOLOGIES, LLC AND SHOULD NOT BE USED WITHOUT WRITTEN PERMISSION																	
DIMENSION UNITS		SCALE		CURRENT REV DESC: MIGRATED TO NX				<b>molex</b>		DUAL ROW WAFER ASS'Y W/BREAK-OFF OPTION RT. ANG. (0.64)/.025 SQ PINS							
MM/INCH		1:1															
GENERAL TOLERANCES (UNLESS SPECIFIED)				EC NO: 613447		2019/03/07		PRODUCT CUSTOMER DRAWING		DOCUMENT NUMBER		DOC TYPE		DOC PART		REVISION	
4 PLACES		±		DRWN: ABABU01		2019/03/11											
3 PLACES		±		CHK'D: NMANE02		2019/03/11		SD-71764-001		PSD		001		A3			
2 PLACES		± 0.25		APPR: MRAMAKRISHNA		2019/03/11											
1 PLACE		± 0.25		INITIAL REVISION:				MATERIAL NUMBER		CUSTOMER		SHEET NUMBER					
0 PLACES		±		DRWN: CAC		1995/08/23											
ANGULAR TOL ± 0.5 °				APPR: DJB		1995/08/23		SEE TABLE		GENERAL MARKET		2 OF 3					
DRAFT WHERE APPLICABLE MUST REMAIN WITHIN DIMENSIONS				THIRD ANGLE PROJECTION		DRAWING		SERIES									
						C-SIZE		71764									

ITEM NO: 71764-0304/0330		
DIM. C	8.13/[.320]	
DIM. E (REF.)	2.79/[.110]	
PLATING FINISH	TIN	
CONNECTOR END PLATING	TIN	
P.C. BOARD END PLATING	TIN	
PACKAGING	SEE NOTE 4 SHEET 1	
CKTS	ITEM NUMBER	VOIDS
04	71764-0304	
06	71764-0306	
08	71764-0308	
10	71764-0310	
12	71764-0312	
14	71764-0314	
16	71764-0316	
18	71764-0318	
20	71764-0320	
22	71764-0322	
24	71764-0324	
26	71764-0326	
28	71764-0328	
30	71764-0330	

ITEM NO: 71764-0404/0430		
DIM. C	8.13/[.320]	
DIM. E (REF.)	2.79/[.110]	
PLATING FINISH	15 GOLD	
CONNECTOR END PLATING	GOLD	
P.C. BOARD END PLATING	TIN	
PACKAGING	SEE NOTE 4 SHEET 1	
CKTS	ITEM NUMBER	VOIDS
04	71764-0404	
06	71764-0406	
08	71764-0408	
10	71764-0410	
12	71764-0412	
14	71764-0414	
16	71764-0416	
18	71764-0418	
20	71764-0420	
22	71764-0422	
24	71764-0424	
26	71764-0426	
28	71764-0428	
30	71764-0430	

ITEM NO: 71764-0504/0530		
DIM. C	8.13/[.320]	
DIM. E (REF.)	2.79/[.110]	
PLATING FINISH	30 GOLD	
CONNECTOR END PLATING	GOLD	
P.C. BOARD END PLATING	TIN	
PACKAGING	SEE NOTE 4 SHEET 1	
CKTS	ITEM NUMBER	VOIDS
04	71764-0504	
06	71764-0506	
08	71764-0508	
10	71764-0510	
12	71764-0512	
14	71764-0514	
16	71764-0516	
18	71764-0518	
20	71764-0520	
22	71764-0522	
24	71764-0524	
26	71764-0526	
28	71764-0528	
30	71764-0530	

THIS DRAWING CONTAINS INFORMATION THAT IS PROPRIETARY TO MOLEX ELECTRONIC TECHNOLOGIES, LLC AND SHOULD NOT BE USED WITHOUT WRITTEN PERMISSION									
DIMENSION UNITS <b>MM/INCH</b>		SCALE <b>1:1</b>		CURRENT REV DESC: MIGRATED TO NX				<b>molex</b>	
GENERAL TOLERANCES (UNLESS SPECIFIED)				EC NO: 613447		DUAL ROW WAFER ASS'Y			
4 PLACES ±		±		DRWN: ABABU01		2019/03/07		W/BREAK-OFF OPTION RT. ANG. (0.64)/.025 SQ PINS	
3 PLACES ±		± 0.01		CHK'D: NMANE02		2019/03/11			
2 PLACES ±		± 0.25 ± 0.01		APPR: MRAMAKRISHNA		2019/03/11		PRODUCT CUSTOMER DRAWING	
1 PLACE ±		±		INITIAL REVISION:				DOCUMENT NUMBER	
0 PLACES ±		±		DRWN: CAC		1995/08/23		SD-71764-001	
ANGULAR TOL ± 0.5 °				APPR: DJB		1995/08/23		DOC TYPE DOC PART REVISION	
DRAFT WHERE APPLICABLE MUST REMAIN WITHIN DIMENSIONS		THIRD ANGLE PROJECTION		DRAWING		SERIES		MATERIAL NUMBER CUSTOMER SHEET NUMBER	
				C-SIZE		71764		SEE TABLE GENERAL MARKET 3 OF 3	

ITEM NO: 71764-0004/0030, 9003			ITEM NO: 71764-0104/0130, 9001, 9004			ITEM NO: 71764-0204/0230, 9000, 9002		
DIM. C		(6.10)/.240	DIM. C		(6.10)/.240	DIM. C		(6.10)/.240
DIM. E (REF.)		(2.79)/.110	DIM. E (REF.)		(2.79)/.110	DIM. E (REF.)		(2.79)/.110
FINISH		TIN	FINISH		15 GOLD	PLATING FINISH		30 GOLD
CONNECTOR END PLATING		TIN	CONNECTOR END PLATING		GOLD	CONNECTOR END PLATING		GOLD
P.C. BOARD END PLATING		TIN	P.C. BOARD END PLATING		TIN	P.C. BOARD END PLATING		TIN
PACKAGING		SEE NOTE 4 SHEET 1	PACKAGING		SEE NOTE 4 SHEET 1	PACKAGING		SEE NOTE 4 SHEET 1
CKTS	ITEM NUMBER	VOIDS	CKTS	ITEM NUMBER	VOIDS	CKTS	ITEM NUMBER	VOIDS
04	71764-0004		04	71764-0104		04	71764-0204	
06	71764-0006		06	71764-0106		06	71764-0206	
08	71764-0008		08	71764-0108		08	71764-0208	
10	71764-0010		10	71764-0110		10	71764-0210	
12	71764-0012		12	71764-0112		12	71764-0212	
14	71764-0014		14	71764-0114		14	71764-0214	
16	71764-0016		16	71764-0116		16	71764-0216	
18	71764-0018		18	71764-0118		18	71764-0218	
20	71764-0020		20	71764-0120		20	71764-0220	
22	71764-0022		22	71764-0122		22	71764-0222	
24	71764-0024		24	71764-0124		24	71764-0224	
26	71764-0026		26	71764-0126		26	71764-0226	
28	71764-0028		28	71764-0128		28	71764-0228	
30	71764-0030		30	71764-0130		30	71764-0230	
06	71764-9003	3	06	71764-9001	3, 4	06	71764-9002	3, 4
			08	71764-9004	5, 6			
						10	71764-9000	8

<b>A</b>	REV:	ECR/ECN INFORMATION	TITLE:	DUAL ROW WAFER ASS'Y W/ BREAK-OFF OPTION RT. ANG. (0.64)/.025 SQ PINS	SHEET No.
		EC No: <b>UCP2007-0449</b>			<b>- 2 -</b>
		DATE: <b>2006-08-18</b>			
DOCUMENT NUMBER:		CREATED / REVISED BY:	CHECKED BY:	APPROVED BY:	
<b>SD-71764-001</b>		<b>PRIDDER</b>	<b>ADERR</b>	<b>FSMITH</b>	

ITEM NO: 71764-0304/0330			ITEM NO: 71764-0404/0430			ITEM NO: 71764-0504/0530		
DIM. C		(8.13)/.320	DIM. C		(8.13)/.320	DIM. C		(8.13)/.320
DIM. E (REF.)		(2.79)/.110	DIM. E (REF.)		(2.79)/.110	DIM. E (REF.)		(2.79)/.110
PLATING FINISH		TIN	PLATING FINISH		15 GOLD	PLATING FINISH		30 GOLD
CONNECTOR END PLATING		TIN	CONNECTOR END PLATING		GOLD	CONNECTOR END PLATING		GOLD
P.C. BOARD END PLATING		TIN	P.C. BOARD END PLATING		TIN	P.C. BOARD END PLATING		TIN
PACKAGING		SEE NOTE 4 SHEET 1	PACKAGING		SEE NOTE 4 SHEET 1	PACKAGING		SEE NOTE 4 SHEET 1
CKTS	ITEM NUMBER	VOIDS	CKTS	ITEM NUMBER	VOIDS	CKTS	ITEM NUMBER	VOIDS
04	71764-0304		04	71764-0404		04	71764-0504	
06	71764-0306		06	71764-0406		06	71764-0506	
08	71764-0308		08	71764-0408		08	71764-0508	
10	71764-0310		10	71764-0410		10	71764-0510	
12	71764-0312		12	71764-0412		12	71764-0512	
14	71764-0314		14	71764-0414		14	71764-0514	
16	71764-0316		16	71764-0416		16	71764-0516	
18	71764-0318		18	71764-0418		18	71764-0518	
20	71764-0320		20	71764-0420		20	71764-0520	
22	71764-0322		22	71764-0422		22	71764-0522	
24	71764-0324		24	71764-0424		24	71764-0524	
26	71764-0326		26	71764-0426		26	71764-0526	
28	71764-0328		28	71764-0428		28	71764-0528	
30	71764-0330		30	71764-0430		30	71764-0530	

<b>A</b>	REV:	ECR/ECN INFORMATION	TITLE:	DUAL ROW WAFER ASS'Y W/ BREAK-OFF OPTION RT. ANG. (0.64)/.025 SQ PINS	SHEET No.
		EC No: <b>UCP2007-0449</b>			<b>- 3 -</b>
		DATE: <b>2006-08-18</b>			
DOCUMENT NUMBER:		CREATED / REVISED BY:		CHECKED BY:	
<b>SD-71764-001</b>		<b>PRIDDER</b>		<b>ADERR</b>	
			APPROVED BY:		
			<b>FSMITH</b>		