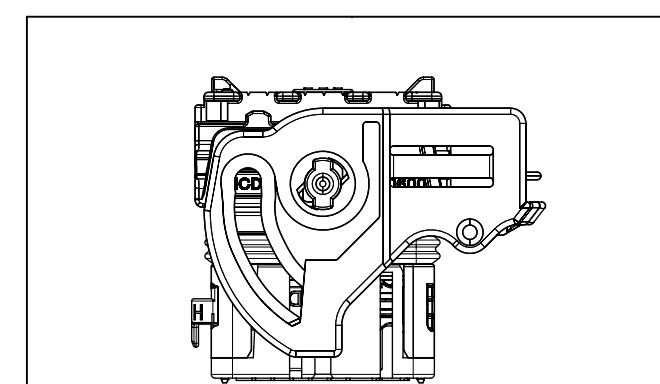
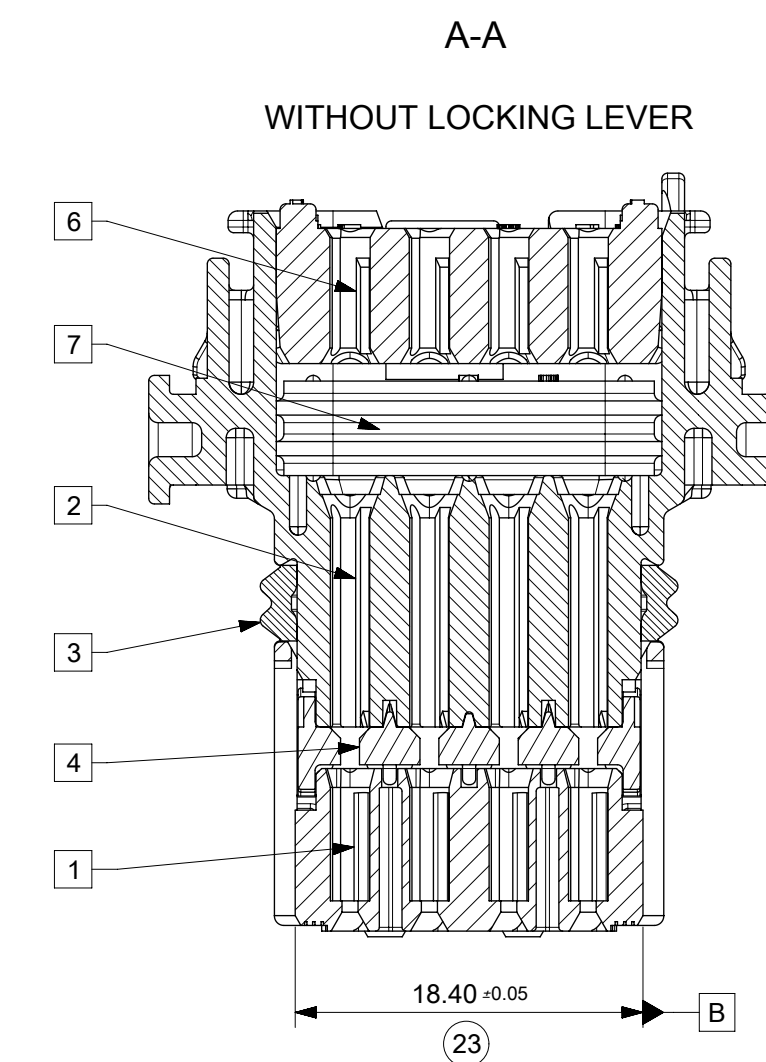
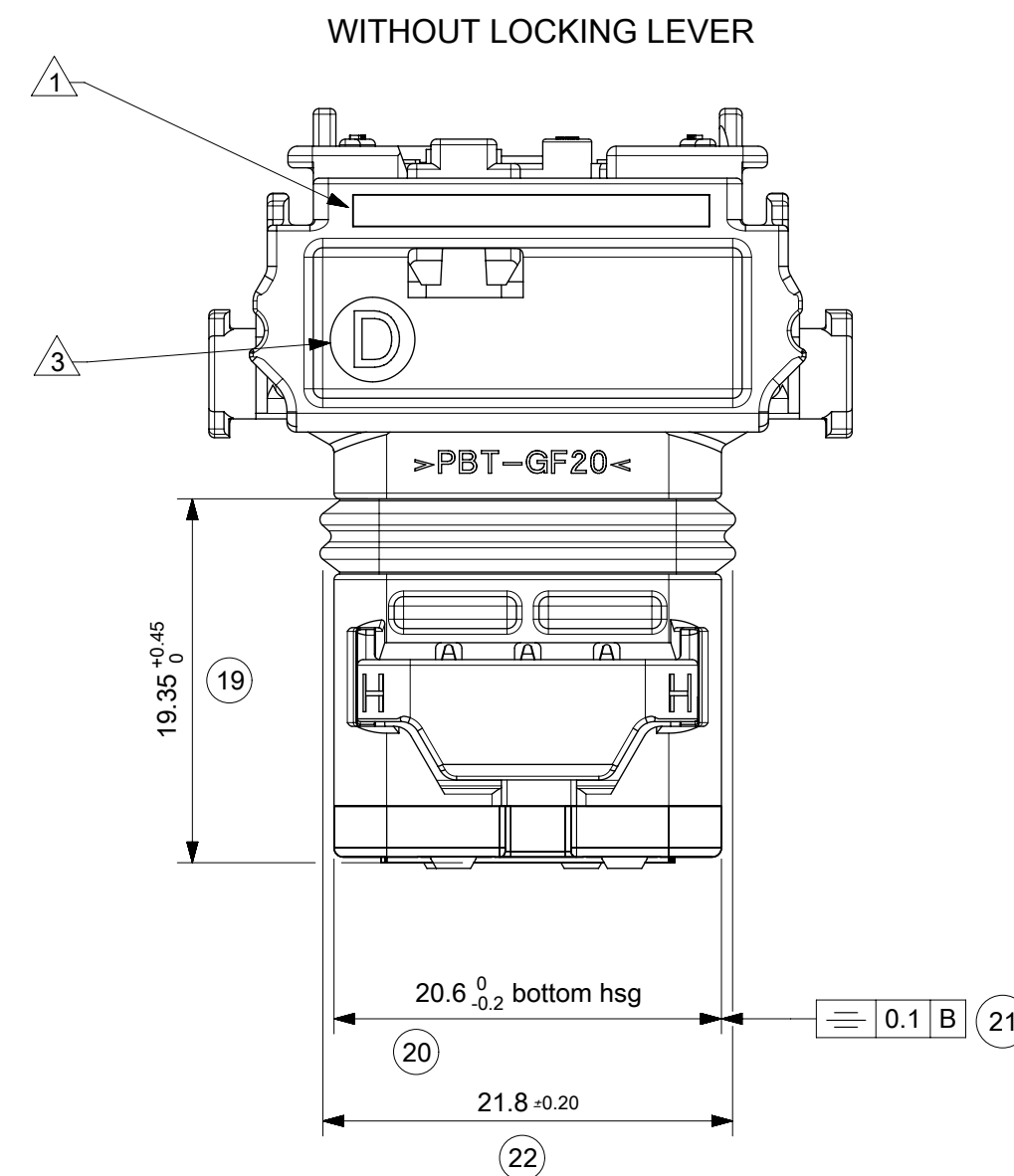
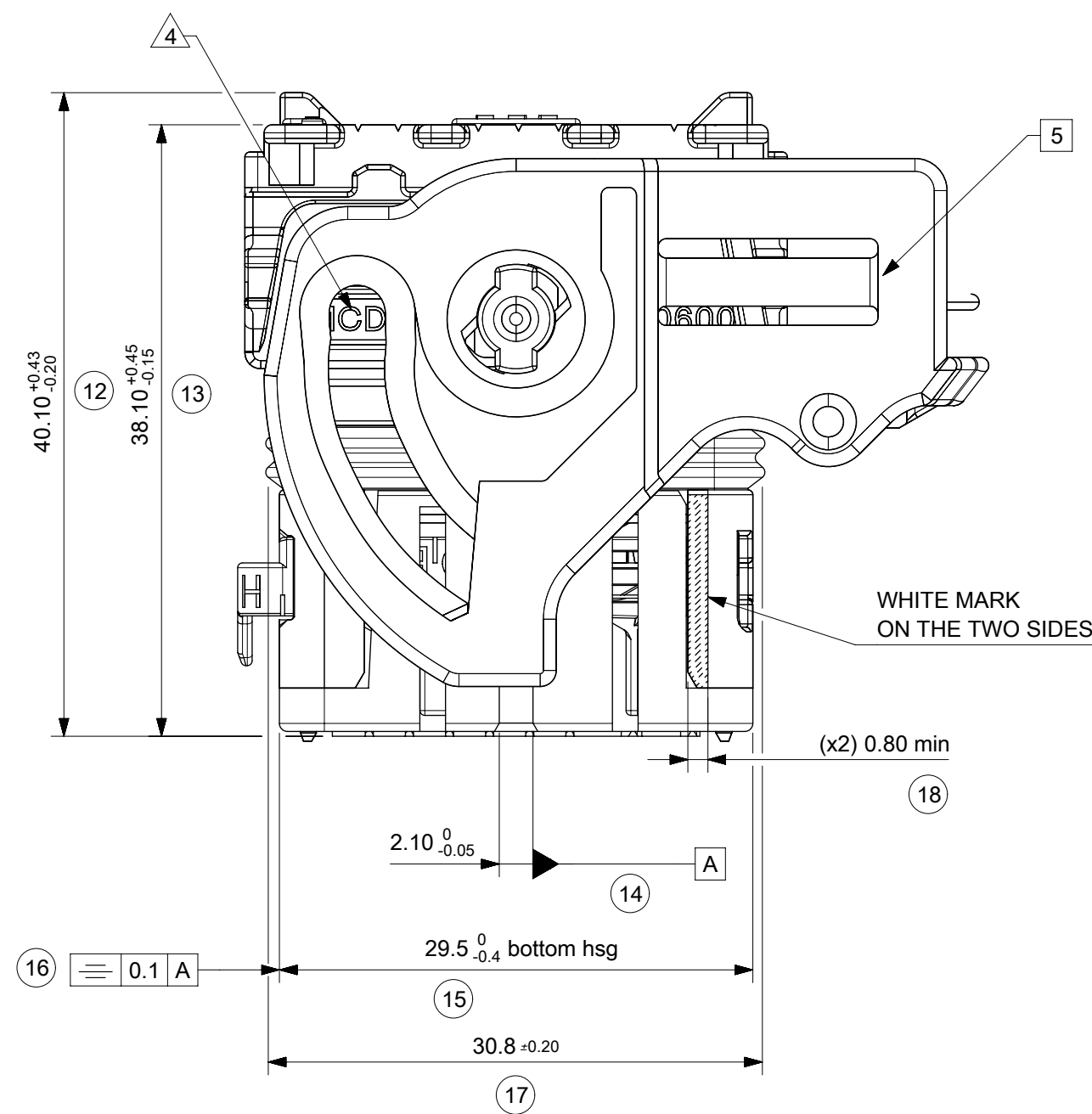
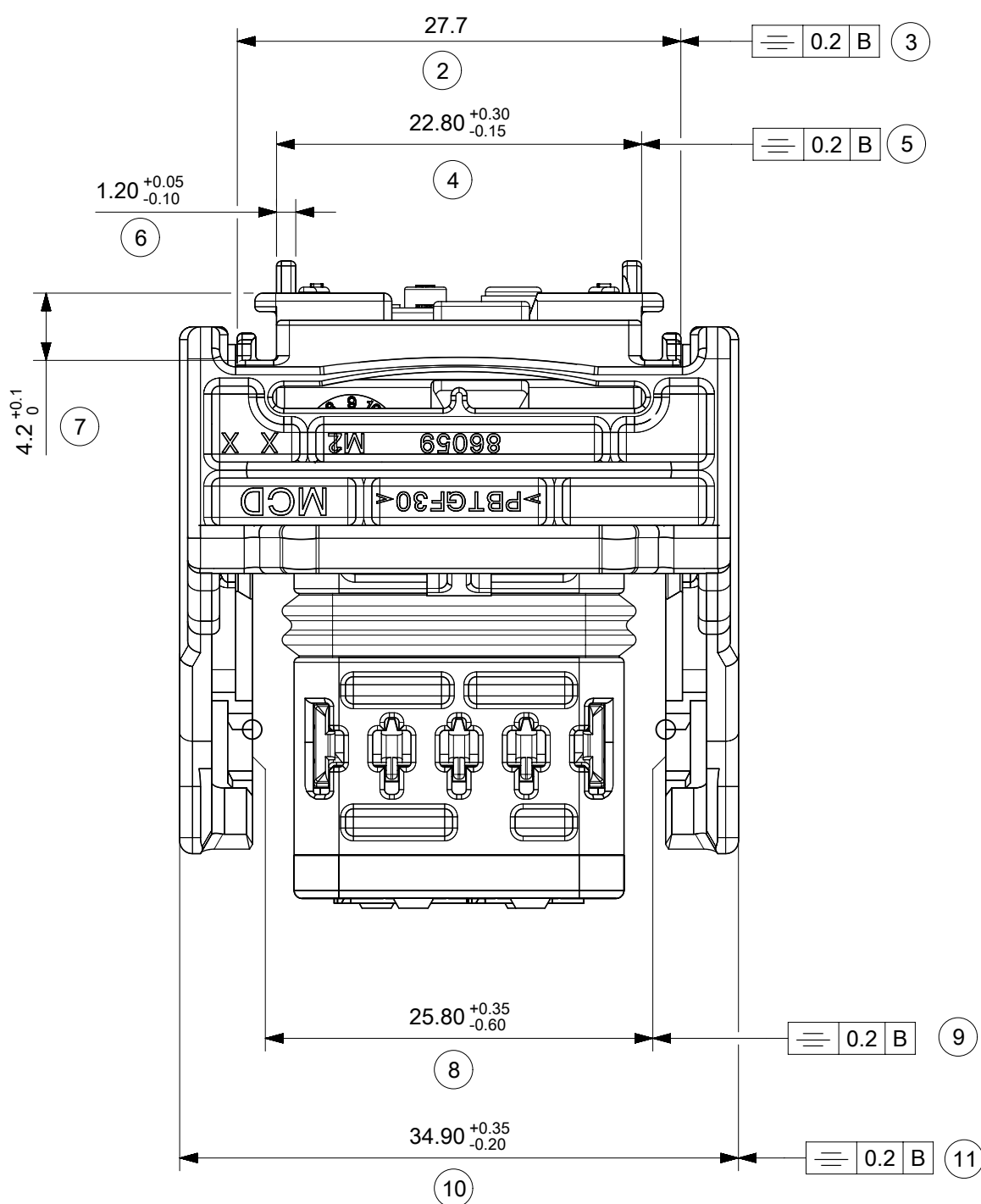
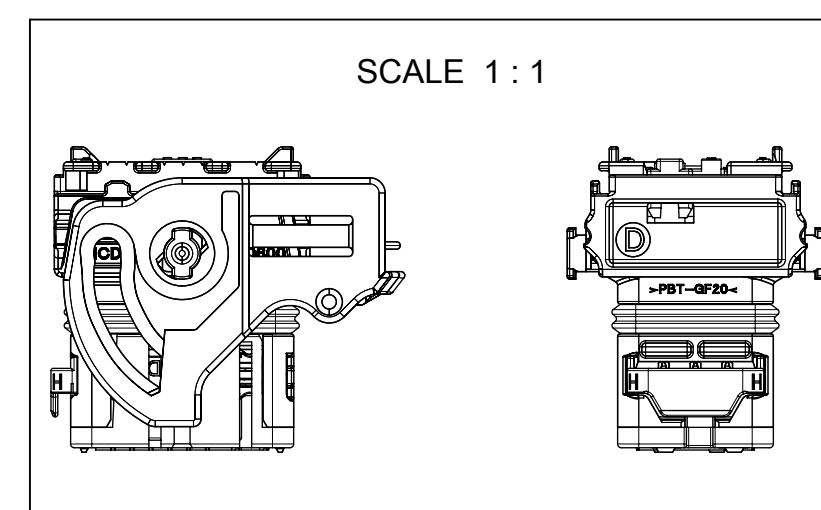
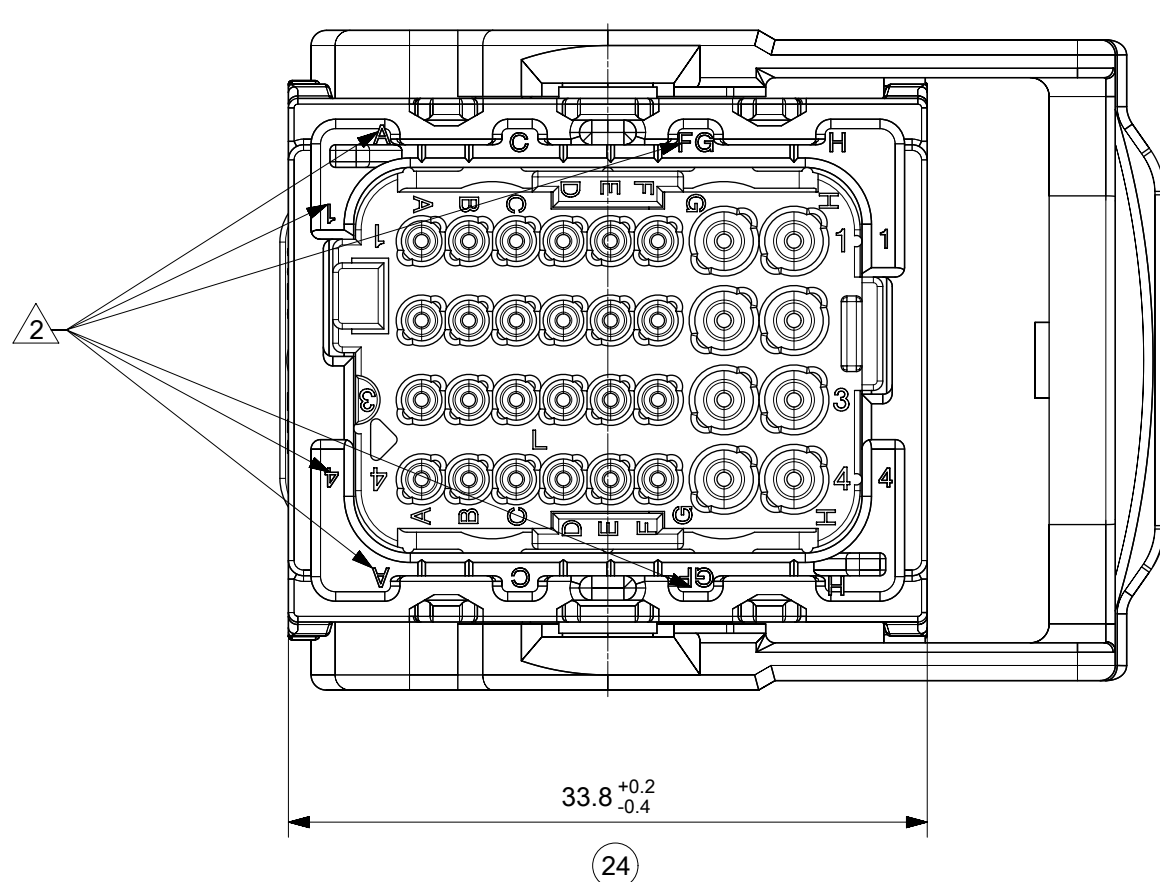


LEFT WIRE OUTPUT	
MATERIAL NUMBER	COLOR
0643191211	BLACK
0643191218	GREY
0643191219	BROWN
0643191216	BLUE



RIGHT WIRE OUTPUT	
MATERIAL NUMBER	COLOR
0643193211	BLACK
0643193218	GREY
0643193219	BROWN
0643193216	BLUE



NOTES:

- FOR ILLUSTRATION PURPOSE THE FEMALE HOUSING SHOWN IS THE RIGHT WIRE OUTPUT VERSION CODING 1
- APPLICATION SPECIFICATION: AS-64319-002
- WIRES EXTERNAL DIAMETER USED:
FOR CP0.6 TERMINAL: USE WIRES WITH AN EXTERNAL DIAMETER BETWEEN Ø1.25MM MIN AND Ø1.90MM MAX
FOR CP1.5 TERMINAL: USE WIRES WITH AN EXTERNAL DIAMETER BETWEEN Ø1.40MM MIN AND Ø2.80MM MAX
- THE CONNECTOR FITS WITH WIRE CAP (32 WAY) MOLEX P/N 0643191201
- BLIND PLUG FOR CP 0.6 AND 1.5 CAVITIES (MOLEX P/N 0643251010 AND 0643251023) MUST BE USED ON THIS PART.
- DELIVERED PRODUCT WEIGHT: 27.6 g

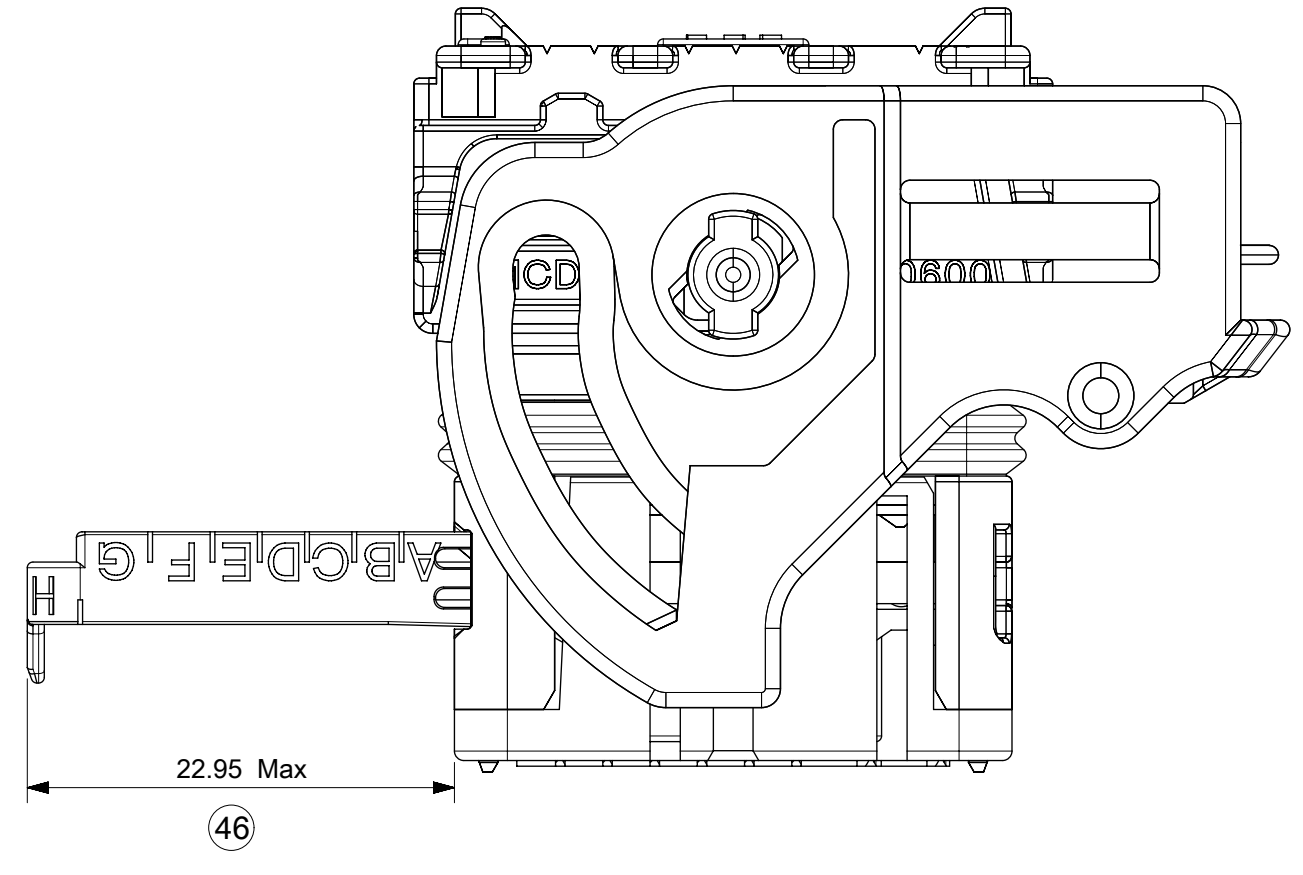
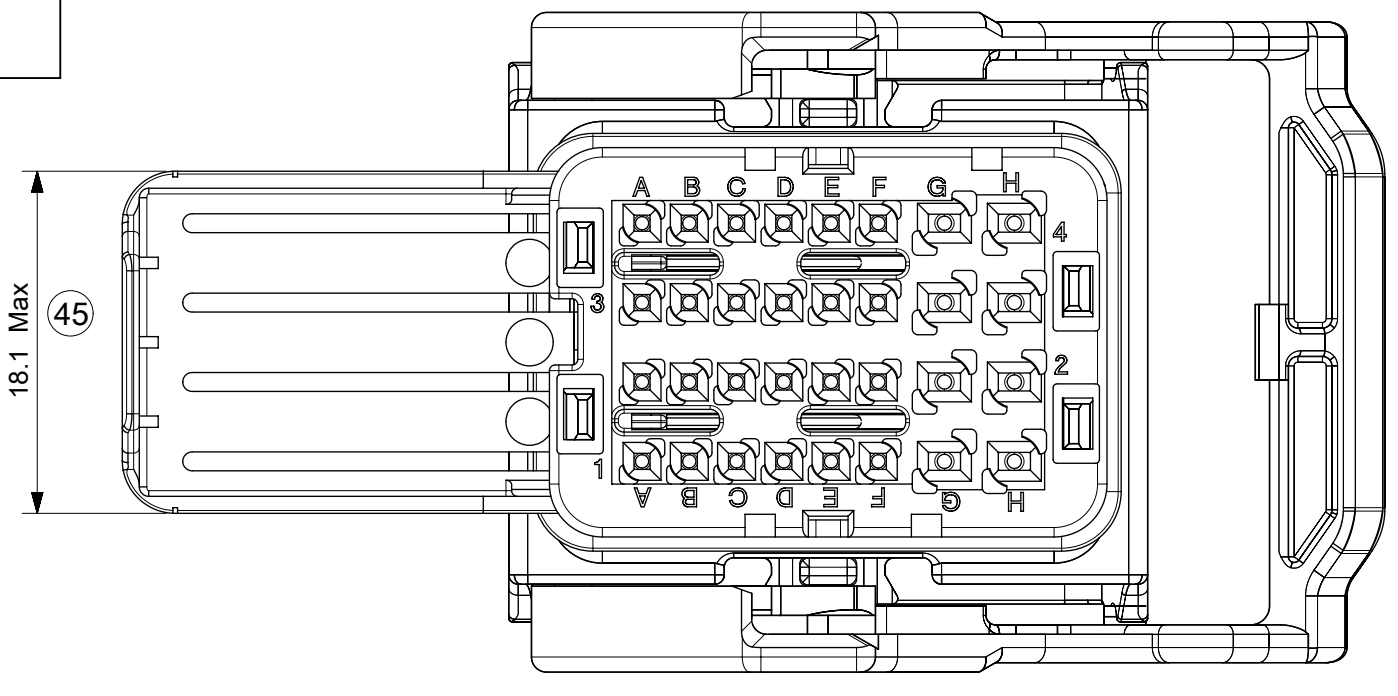
POS.	DESIGNATION	MATERIAL	COLOR
7	MAT SEAL	Silicon	RED
6	BACK GRID 32W	>PBT-GF20<	GREY
5	LOCKING LEVER 32W	>PBT-GF30<	BLACK
4	SECONDARY LOCK	>PBT-GF20<	GREEN
3	PERIPHERAL SEAL 32W	Silicon	BLUE
2	BACK PART	>PBT-GF20<	BLACK
1	FRONT PART	>PBT-GF20<	COLOR LINKED TO KEYING

MARKINGS :	
1	- Assembled part tracability: Year + Day
2	- Terminal cavities identification
3	- Lever position indicator: "D" LETTER VISIBLE = "RIGHT WIRE OUTPUT" "G" LETTER VISIBLE = "LEFT WIRE OUTPUT"
4	- Supplier identification
5	- Material identification

THIS DRAWING CONTAINS INFORMATION THAT IS PROPRIETARY TO MOLEX ELECTRONIC TECHNOLOGIES, LLC AND SHOULD NOT BE USED WITHOUT WRITTEN PERMISSION		CURRENT REV DESC: NX RE-MASTERING (2)			
DIMENSION UNITS	SCALE	EC NO: 178472			
mm	2.5:1	DRWN: GMANIVANNAN 2018/06/26		CMC CONNECTOR 32 WAY MAT SEAL VERSION	
GENERAL TOLERANCES (UNLESS SPECIFIED)		CHK'D: OPLESSIS 2018/07/06			
ANGULAR TOL	± 2'	APPR: SLAFAURE 2018/07/06		PRODUCT CUSTOMER DRAWING	
4 PLACES	± 0.1	INITIAL REVISION:		DOCUMENT NUMBER	
3 PLACES	± 0.1	DRWN: TBADAROUX 2007/07/16		SD-64319-001	
2 PLACES	± 0.1	APPR: cbouchan 2007/07/16		DOC TYPE DOC PART REVISION	
1 PLACE	± 0.1	DRAWING		PSD 001 J1	
0 PLACES	±	SERIES		CUSTOMER	
DRAFT WHERE APPLICABLE MUST REMAIN WITHIN DIMENSIONS		FIRST ANGLE PROJECTION		SHEET NUMBER	
		DRAWING		1 OF 2	
		A1-SIZE		SEE CHARTS	
		64319		GENERAL MARKET	

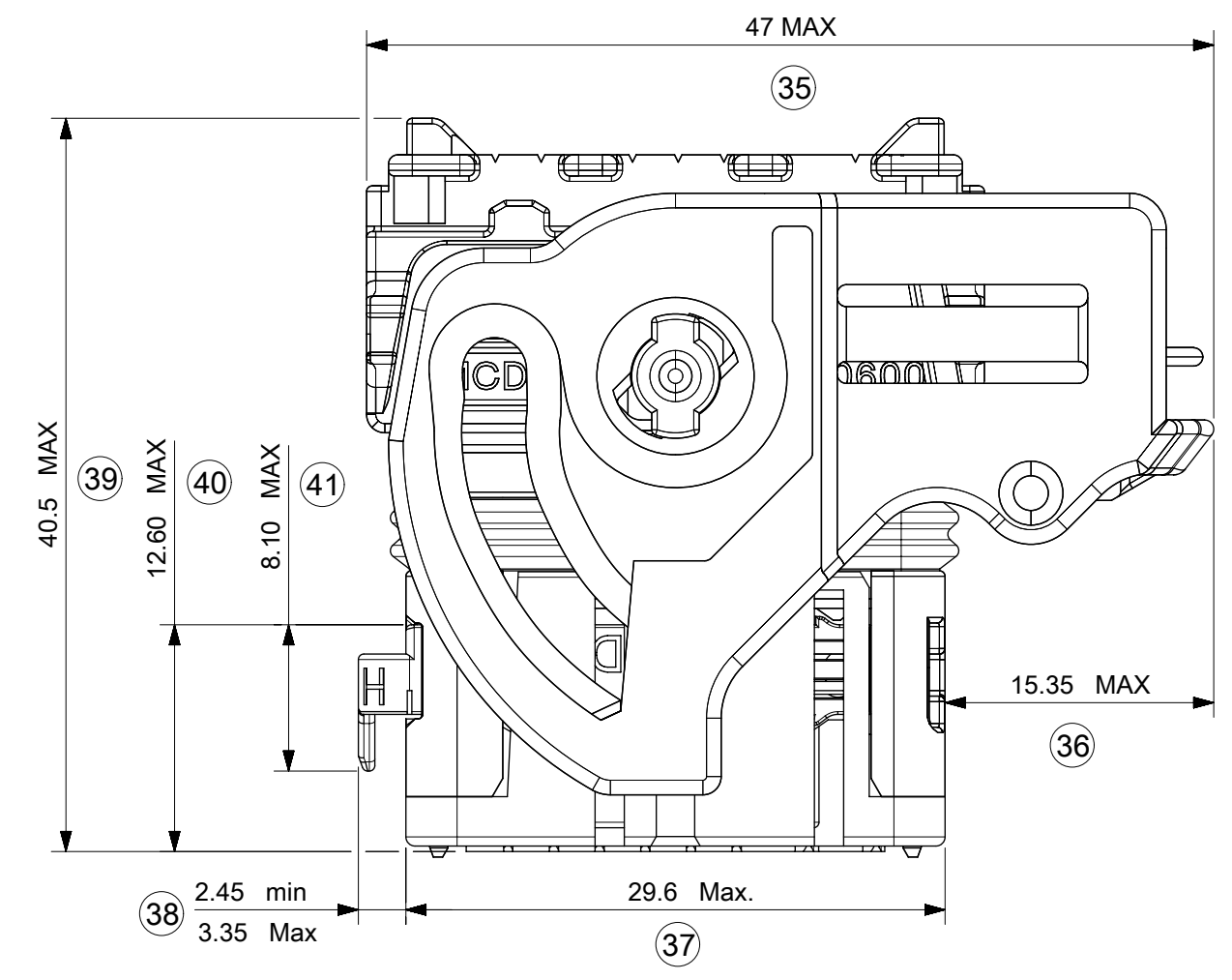
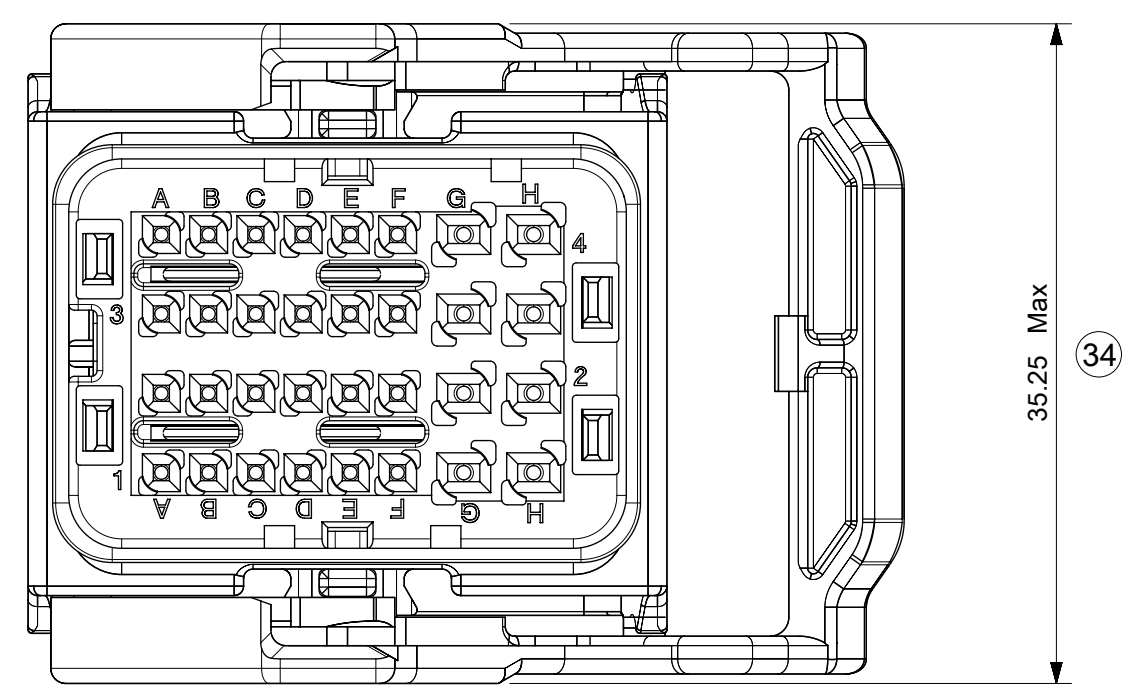
CONNECTOR OVERALL DIMENSIONS:
SECONDARY LOCKING FULLY OPENED
FOR TERMINALS INSERTION

RIGHT WIRE OUTPUT

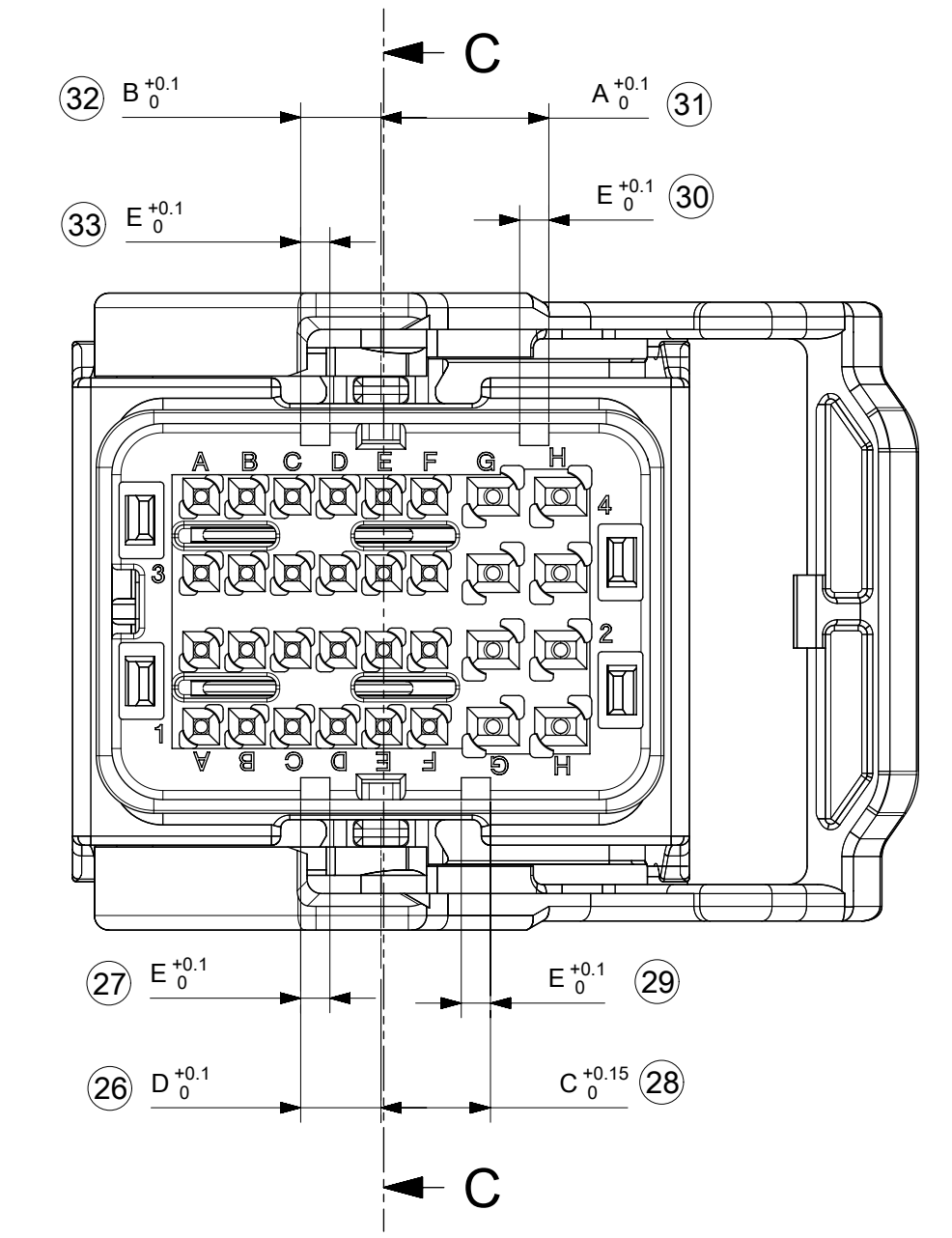


CONNECTOR OVERALL DIMENSIONS:
SECONDARY LOCKING IN DELIVERY
POSITION

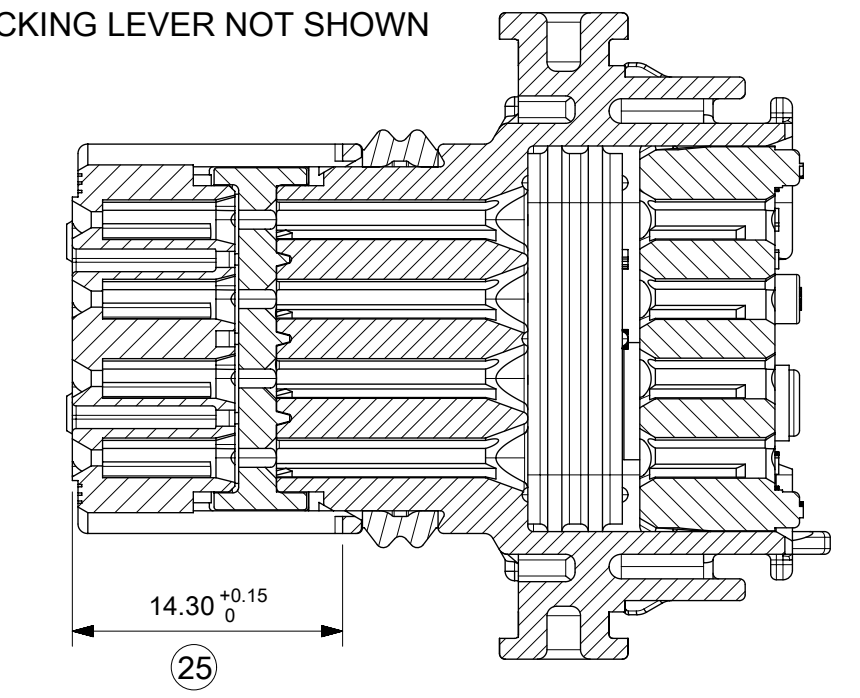
RIGHT WIRE OUTPUT



CODING POSITION

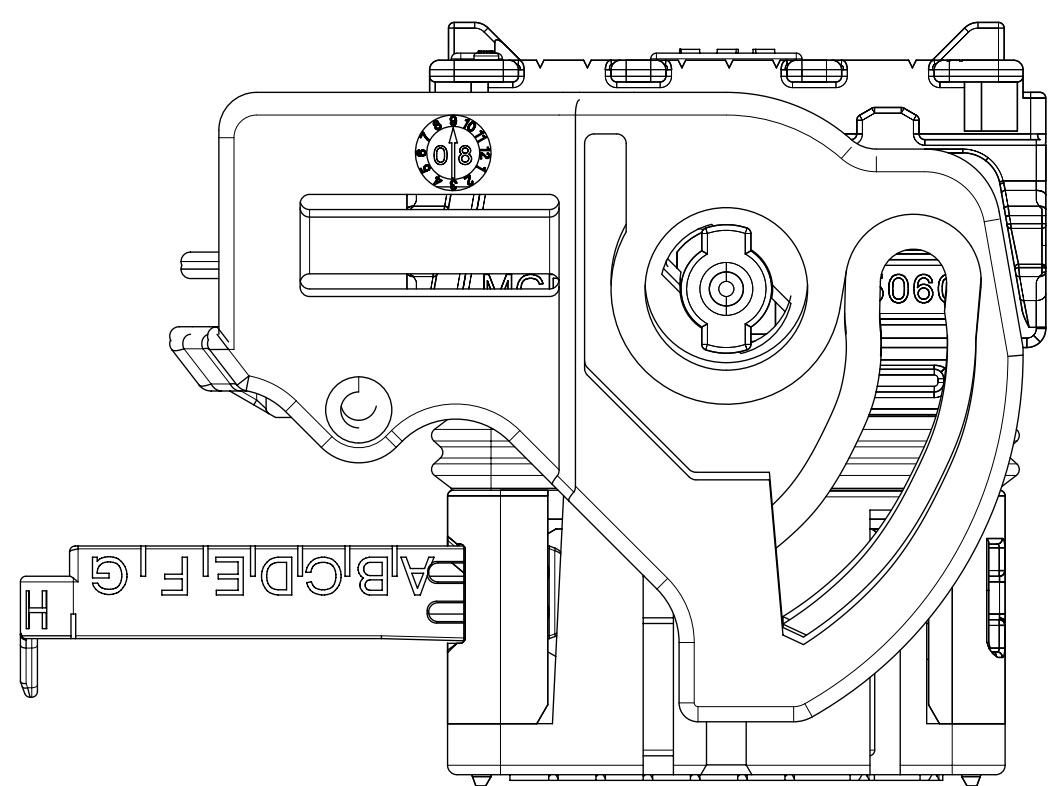
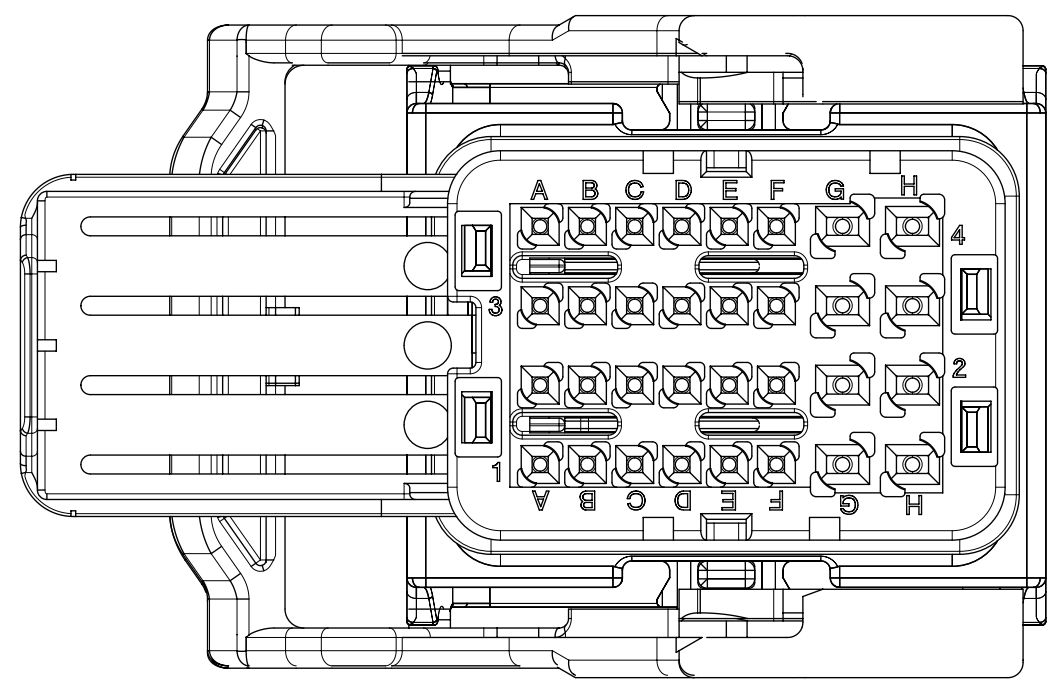


C-C
LOCKING LEVER NOT SHOWN



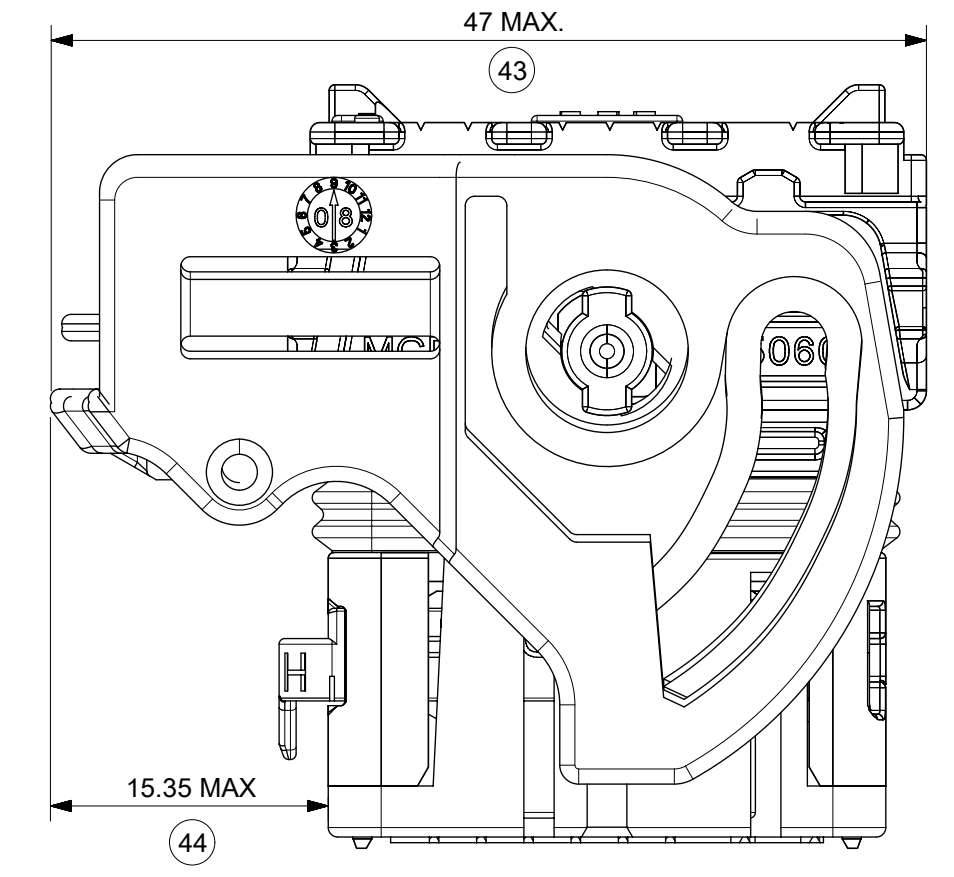
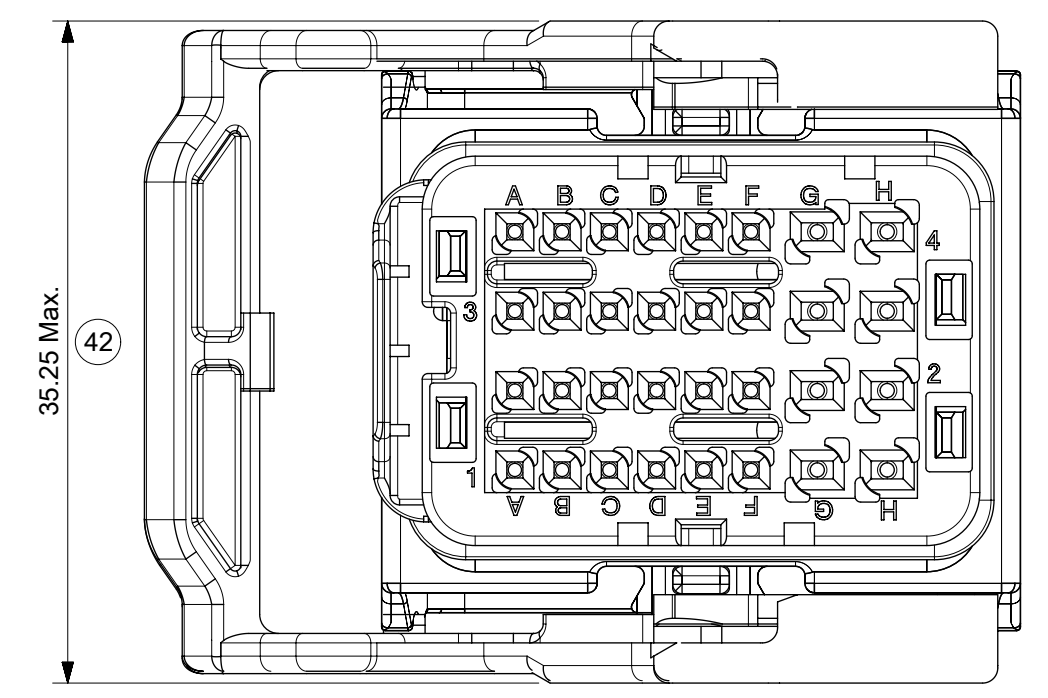
CONNECTOR OVERALL DIMENSIONS:
SECONDARY LOCKING FULLY OPENED
FOR TERMINALS INSERTION

LEFT WIRE OUTPUT



CONNECTOR OVERALL DIMENSIONS:
SECONDARY LOCKING IN DELIVERY
POSITION

LEFT WIRE OUTPUT



COLOR	CODING	A	B	C	D	E
BLACK	1	9.2	4.4	6	4.4	1.6
GREY	2	7.6	6	9.2	6	1.6
BROWN	3	6	7.6	9.2	9.2	1.6
BLUE	5	4.4	7.6	6	6	1.6

TERMINALS USED

CAVITY N°	FEMALE TERMINALS (Section mm2)	PLATING	MOLEX P/N°	min / MAX WIRE INSULATION DIAMETER (mm)
A1 to F1 A2 to F2 A3 to F3 A4 to F4	CP 0.6 0.35mm2	Tin plated	0643221019	∅1.25 min / ∅1.40 Max
		Gold plated	0643221229	
	CP 0.6 0.5mm2	Tin plated	0643221039	∅1.40 min / ∅1.70 Max
		Gold plated	0643221239	
G1 to H4 G1 to H4	CP 0.6 0.75mm2	Tin plated	0643221029	∅1.60 min / ∅1.90 Max
		Gold plated	0643221219	
	CP 1.5 0.5mm2 to 1mm2	Tin plated	0643231029	∅1.40 min / ∅2.15 Max
		Gold plated	0643231319	
CP 1.5 >1mm2 to 2mm2	Tin plated	0643231039	∅2.10 min / ∅2.80 Max	
	Gold plated	0643231219		

THIS DRAWING CONTAINS INFORMATION THAT IS PROPRIETARY TO MOLEX ELECTRONIC TECHNOLOGIES, LLC AND SHOULD NOT BE USED WITHOUT WRITTEN PERMISSION

DIMENSION UNITS	SCALE
mm	2.5:1

GENERAL TOLERANCES (UNLESS SPECIFIED)

ANGULAR TOL	±	2°
4 PLACES	±	0.1
3 PLACES	±	0.1
2 PLACES	±	0.1
1 PLACE	±	0.1
0 PLACES	±	

DRAFT WHERE APPLICABLE MUST REMAIN WITHIN DIMENSIONS

CURRENT REV DESC: NX RE-MASTERING (2)

EC NO: 178472
 DRWN: GMANIVANNAN 2018/06/26
 CHK'D: OPLESSIS 2018/07/06
 APPR: SLAFAURE 2018/07/06

INITIAL REVISION:
 DRWN: TBADAROUX 2007/07/16
 APPR: cbouchan 2007/07/16

molex

CMC CONNECTOR 32 WAY
MAT SEAL VERSION

PRODUCT CUSTOMER DRAWING

DOCUMENT NUMBER	DOC TYPE	DOC PART	REVISION
SD-64319-001	PSD	001	J1

MATERIAL NUMBER	CUSTOMER	SHEET NUMBER
SEE SHEET 1	GENERAL MARKET	2 OF 2