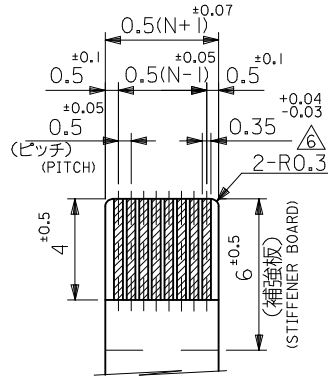


注記 NOTES

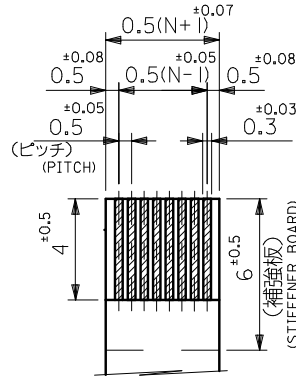
- 使用材料 : MATERIAL  
 ハウジング : 46ナイロン, UL94V-0  
 HOUSING : 46NYLON  
 アクチュエータ : PPS, UL94V-0  
 ACTUATOR  
 ターミナル : リン青銅, 半田メッキ (t=0.2)  
 TERMINAL : PHOS-BRO.TIN-LEAD  
 金具 : リン青銅, 半田メッキ (t=0.2)  
 FITTING NAIL : PHOS-BRO.TIN-LEAD
- エンボステープ梱包時は、アクチュエータがロックした状態とする。  
 IN THE PACKAGE, ACTUATOR OF PART NO.52435-\*\*\*27 SHOULD BE LOCKED.
- ソルダーテール半田付け面のズレ量、及び金具半田付け面のズレ量は、基準面 H に対し上方向 0.1 MAX. , 下方向 0.15MAX. とする。  
 MISALIGNMENT OF SOLDER TAILS AND FITTING NAILS FROM H  
 UPPER DIRECTION: 0.1 MAX. , LOWER DIRECTION: 0.15MAX.
- 偶数極に適用。  
 APPLY FOR EVEN CIRCUIT.
- パターンはくり止め用金具。  
 FITTING NAIL FOR PREVENTION OF PEELING OF P.C.B. PATTERN.
- RO. 3は、FPCの導体部にかからないこと。  
 RO.3 MUST NOT BE OVERLAPPED TO PATTERN OF FPC.
- ソルダーテールの平坦度は、0.1 MAXIMUM とする。  
 SOLDER TAIL COPLANARITY IS 0.1 MAXIMUM.

MODEL NO. 52435-\*\*\*27

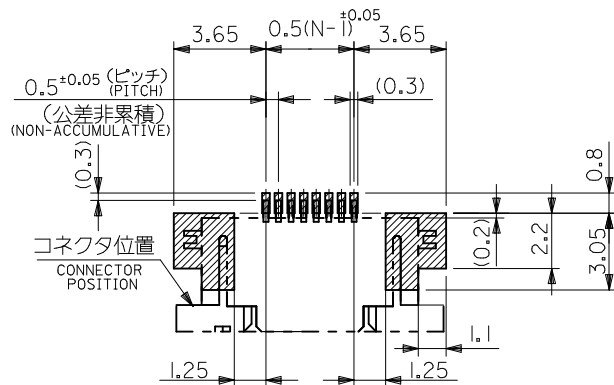
|  |                                       |            |  |                              |  |                        |
|--|---------------------------------------|------------|--|------------------------------|--|------------------------|
| REVISED<br>EC NO: J2015-0014<br>DRWN: AYOSHI 2014/07/08<br>CHKD: YKOBAYASHI 2014/07/08<br>APPR: YNOGAWA 2014/07/17 | GENERAL TOLERANCES (UNLESS SPECIFIED) |            | DIMENSION STYLE<br>MM ONLY   | SCALE<br>---                 | DESIGN UNITS<br>METRIC                                   | THIRD ANGLE PROJECTION |
|  | 10 UNDER                              | ±0.2       | DRAWN BY<br>SKAJINUMA  | DATE<br>91/10/31             | TITLE<br>0.5 FPC CONN ZIF FOR SMT<br>R/A (UPPER CONTACT) |                        |
|  | 10 OVER 30 UNDER                      | ±0.25      | CHECKED BY<br>MFUKUSHIMA   | DATE<br>97/07/15             |  |                        |
|  | 30 OVER                               | ±0.3       | APPROVED BY<br>MFUKUSHIMA  | DATE<br>97/07/15             |  |                        |
|  | ANGULAR                               | ±3 °       | MATERIAL NO.<br>SEE SHEET 2  | DOCUMENT NO.<br>SD-52435-018 |  |                        |
| DRAFT WHERE APPLICABLE<br>MUST REMAIN<br>WITHIN DIMENSIONS   |                                       | SIZE<br>A3 | THIS DRAWING CONTAINS INFORMATION THAT IS PROPRIETARY TO MOLEX<br>INCORPORATED AND SHOULD NOT BE USED WITHOUT WRITTEN PERMISSION |                              |  |                        |



適合FPC推奨寸法  
APPLICABLE FPC  
RECOMMENDED DIMENSION.  
(仕上がり厚さ: 0.3<sup>+0.05</sup>)  
(THICKNESS: 0.3<sup>+0.05</sup>)



適合FFC推奨寸法  
APPLICABLE FFC  
RECOMMENDED DIMENSION.  
(仕上がり厚さ: 0.3<sup>+0.05</sup>)  
(THICKNESS: 0.3<sup>+0.05</sup>)



参考基板レイアウト  
(マウント面)  
RECOMMENDED P.C.BOARD  
PATTERN DIMENSION (REF.)  
(MOUNTING SIDE)

|      |      |       |      |            |    |
|------|------|-------|------|------------|----|
| 20.6 | 18.6 | 14.65 | 13.5 | 52435-2827 | 28 |
| 20.1 | 18.1 | 14.15 | 13.0 | -2727      | 27 |
| 18.6 | 16.6 | 12.65 | 11.5 | -2427      | 24 |
| 18.1 | 16.1 | 12.15 | 11.0 | -2327      | 23 |
| 17.6 | 15.6 | 11.65 | 10.5 | -2227      | 22 |
| 16.6 | 14.6 | 10.65 | 9.5  | -2027      | 20 |
| 16.1 | 14.1 | 10.15 | 9.0  | -1927      | 19 |
| 15.6 | 13.6 | 9.65  | 8.5  | -1827      | 18 |
| 15.1 | 13.1 | 9.15  | 8.0  | -1727      | 17 |
| 14.6 | 12.6 | 8.65  | 7.5  | -1627      | 16 |
| 14.1 | 12.1 | 8.15  | 7.0  | -1527      | 15 |
| 13.6 | 11.6 | 7.65  | 6.5  | -1427      | 14 |
| 13.1 | 11.1 | 7.15  | 6.0  | -1327      | 13 |
| 12.1 | 10.1 | 6.15  | 5.0  | -1127      | 11 |
| 11.6 | 9.6  | 5.65  | 4.5  | -1027      | 10 |
| 11.1 | 9.1  | 5.15  | 4.0  | -0927      | 9  |
| 10.6 | 8.6  | 4.65  | 3.5  | -0827      | 8  |
| 10.1 | 8.1  | 4.15  | 3.0  | -0727      | 7  |
| 9.6  | 7.6  | 3.65  | 2.5  | 52435-0627 | 6  |

MODEL NO. 52435-\*\*27 D C B (A) MATERIAL NO. 極数

|  |  |              |                            |                 |  |                        |                           |
|--|--|--------------|----------------------------|-----------------|--|------------------------|---------------------------|
| REVISED<br>EC NO: J2015-0014<br>DRWN: YOSHII 2014/07/08<br>CHKD: YKOBAYASHI 2014/07/08<br>APPR: YNOGAWA 2014/07/17                       | GENERAL TOLERANCES<br>(UNLESS SPECIFIED) |              | DIMENSION STYLE<br>MM ONLY |                 | SCALE<br>---   | DESIGN UNITS<br>METRIC | THIRD ANGLE<br>PROJECTION |
|  | 10 UNDER                                 | ±0.2         | DRAWN BY<br>SKAJINUMA      | DATE<br>9/10/31 | TITLE<br>0.5 FPC CONN ZIF FOR SMT<br>R/A (UPPER CONTACT) |                        |                           |
|  | 10 OVER 30 UNDER                         | ±0.25        | CHECKED BY<br>MFUKUSHIMA   | DATE<br>9/7/15  |  |                        |                           |
|  | 30 OVER                                  | ±0.3         | APPROVED BY<br>MFUKUSHIMA  | DATE<br>9/7/15  |  |                        |                           |
| ANGULAR  | ±3 °                                     | MATERIAL NO. |                            | DOCUMENT NO.    | SHEET NO.  |                        |                           |
| DRAFT WHERE APPLICABLE<br>MUST REMAIN<br>WITHIN DIMENSIONS   |  | SEE CHART    |                            | SD-52435-018    |  |                        | 2 OF 2                    |
| SIZE A3 THIS DRAWING CONTAINS INFORMATION THAT IS PROPRIETARY TO MOLEX<br>INCORPORATED AND SHOULD NOT BE USED WITHOUT WRITTEN PERMISSION |  |              |                            |                 |  |                        |                           |