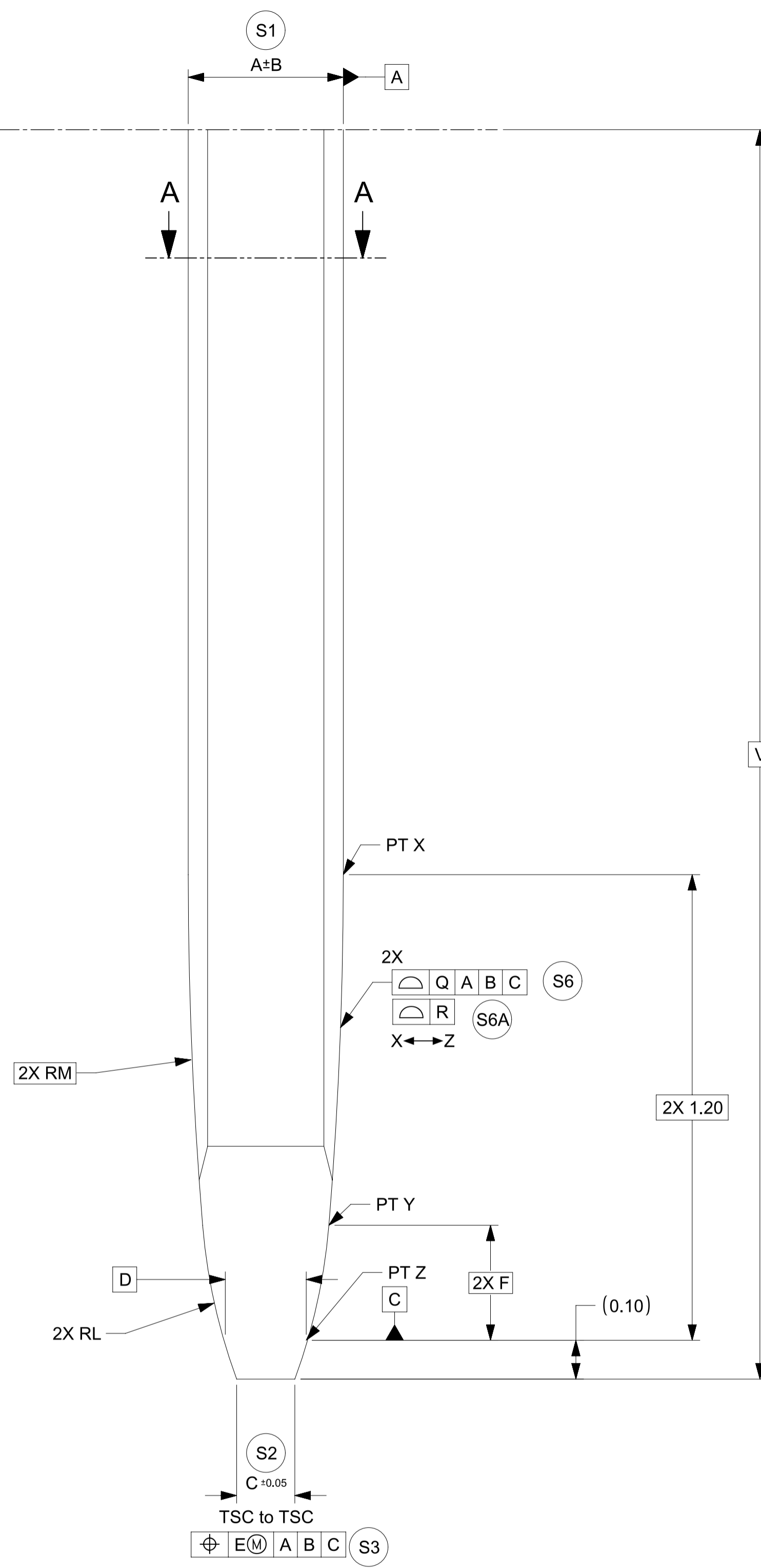


GEOMETRY & PLATING ABOVE THE LINE IS NOT CONTROLLED BY THIS DOCUMENT



SCALE 100:1

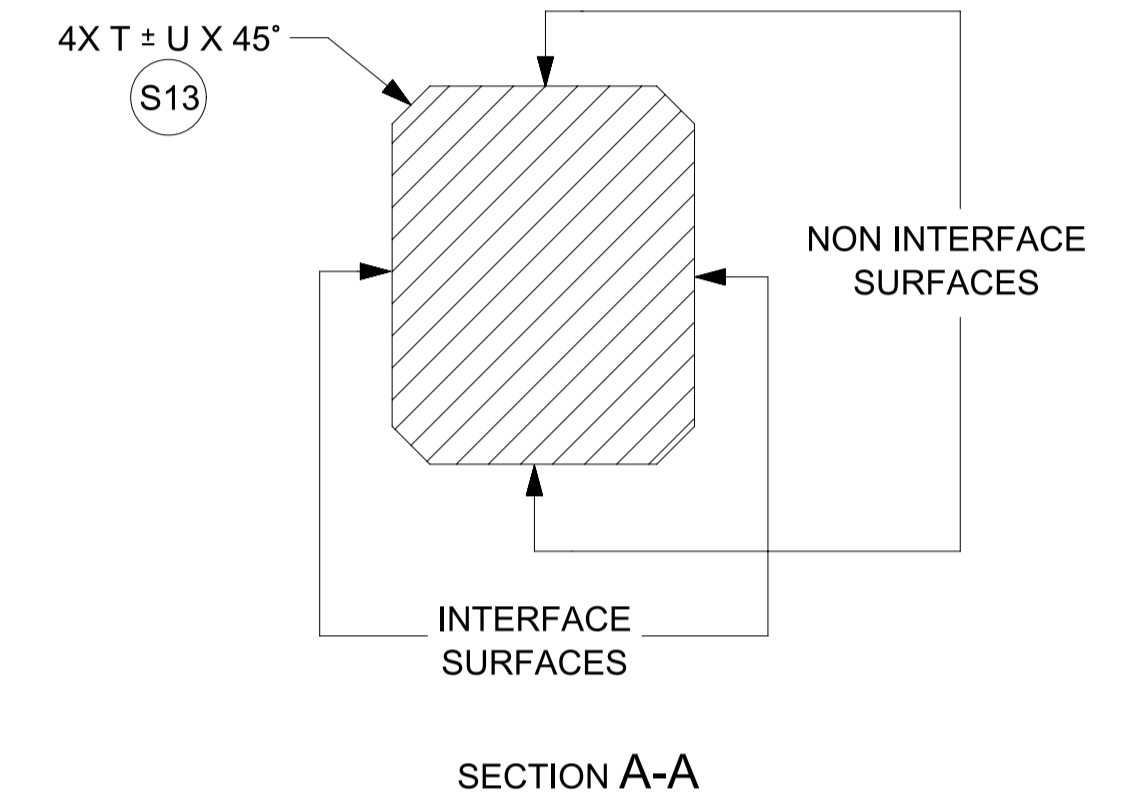


TABLE 1			DRAWING DIMENSIONS																		
Model NO.	Description	Application	A	B	C	D	E	F	G	H	J	L	M	N	P	Q	R	T	U	V	W
34735-0004_FM_000	0.50mm BLADE	HEADER	0.40	0.015	0.15	0.216	0.05	0.296	0.50	0.03	0.05	1.5	11	0.20	0.50	0.10	0.06	0.05	0.03	4.0 MIN	0.08
34735-0001_FM_000	0.64mm BLADE - NORMAL THICKNESS	HEADER	0.64	0.03	0.25	0.356	0.10	0.285	0.64	0.03	0.05	1	7	0.25	0.55	0.10	0.06	0.05	0.03	5.5 MIN	0.08
34735-0002_FM_000	0.64mm BLADE - REDUCED THICKNESS	HEADER	0.625	0.015	0.234	0.341	0.10	0.285	0.64	0.03	0.05	1	7	0.25	0.55	0.10	0.06	0.05	0.03	5.5 MIN	0.08
34735-0006_FM_000	1.20mm BLADE	HEADER	0.60	0.015	0.21	0.316	0.10	0.285	1.00	0.05	0.05	1	7	0.59	0.55	0.10	0.06	0.05	0.03	5.5 MIN	0.13
34735-0003_FM_000	1.50mm BLADE	HEADER	0.80	0.03	0.25	0.321	0.10	1.10	1.50	0.05	0.10	4.775	1.083	0.5	1.68	0.10	0.06	0.05	0.03	5.0 MIN	0.13
34735-0010_FM_000	2.8mm BLADE	HEADER	0.80	0.025	0.20	0.345	0.10	0.314	2.50	0.10	0.10	1	4	1.80	1.10	0.15	0.06	0.06	0.05	9.5 MIN	0.25
34735-0011_FM_000	6.3mm BLADE	HEADER	0.80	0.025	0.31	0.345	0.10	0.314	6.0	0.25	0.20	1	4	3.90	1.10	0.15	0.06	0.06	0.05	10.5 MIN	0.13
34735-0012_FM_000	1.20mm BLADE	INLINE	0.60	0.015	0.21	0.316	0.10	0.285	1.20	0.05	0.05	1	7	0.59	0.55	0.10	0.06	N/A	N/A	5.5 MIN	0.13

FUNCTIONAL SYMBOLS $\nabla_A = 0$ $\nabla_C = 0$ $\nabla_P = 0$ DIVISIONAL SYMBOLS	THIS DRAWING CONTAINS INFORMATION THAT IS PROPRIETARY TO MOLEX ELECTRONIC TECHNOLOGIES, LLC AND SHOULD NOT BE USED WITHOUT WRITTEN PERMISSION		CURRENT REV DESC:		<p>DESIGN STANDARD HEADER PIN & BLADE TIP GEOMETRY FOR MATING TO HARNESS TERMINALS</p> <p>PRODUCT SALES DRAWING</p>
	DIMENSION UNITS	SCALE	PHASE: Design Production		
	mm	100:1	EC NO: CO-000000508		
	GENERAL TOLERANCES (UNLESS SPECIFIED)		DRWN: Raghavendra MV		
ANGULAR TOL ± 0.5°		APPR: Deepak Patil		2022-01-31	DOC TYPE DOC PART REVISION
4 PLACES ± 0.00000		CHKD: Nathan Song		2022-02-07	347350050
3 PLACES ± 0.0150		APPR: Deepak Patil		2022-02-09	PSD 000 A21
2 PLACES ± 0.050		INITIAL REVISION:		DOCUMENT NUMBER	
1 PLACE ± 0.10		DRWN: Raghavendra MV		DOC TYPE DOC PART REVISION	
0 PLACES ± 0.00		APPR: Deepak Patil		347350050	
DRAFT WHERE APPLICABLE MUST REMAIN WITHIN DIMENSIONS		THIRD ANGLE PROJECTION	DRAWING	SERIES	MATERIAL NUMBER
			A1-SIZE	34735	CUSTOMER
					SHEET NUMBER
					2 OF 2

NOTES

1. GENERAL:

- 1.1. ALL PRODUCT SPECIFICATIONS AND THEIR RELATED DOCUMENTS USING THIS FEATURE MUST REFERENCE THIS DOCUMENT AS THE CONTROLLING SPECIFICATION AND USE THE SAME BALLOON NUMBERS.
- 1.2. COMPLIANCY TO THIS DOCUMENT:
 - a) COMPLIANCY MAY BE CLAIMED BY MEETING THE REQUIREMENTS IN THIS SPECIFICATION WITH THE DEVIATION IDENTIFIED AND MAY BE REFERENCED IN OTHER DOCUMENTS (DRAWINGS, DVP&R, ETC.) AS 'CONFORMS TO MOLEX 347350050 REV X.X'.
 - b) PRODUCTS DESIGNED AFTER THE DATE OF RELEASE OF THIS DOCUMENT SHALL BE COMPLIANT TO THE CURRENT REVISION OF THIS DOCUMENT.
 - c) PRODUCTS THAT HAVE MET PREVIOUS REVISION(S) OF THIS DOCUMENT SPECIFICATION SHALL STILL BE CONSIDERED 'MOLEX STANDARDS COMPLIANT' TO THOSE REVISIONS AND DO NOT NEED TO BE RE-VALIDATED.
- 1.3. DEVIATIONS TO THIS DOCUMENT ARE ALLOWABLE UNDER THE FOLLOWING CONDITIONS:
 - a) ALL DEVIATIONS SHALL SHOW EQUAL OR BETTER PERFORMANCE (ELECTRICAL/MECHANICAL) AS REQUIRED BY VALIDATION SPECIFICATION.
 - b) EXCEPTIONS ARE CLEARLY IDENTIFIED ON THE PRODUCT SPECIFICATION.
 - c) ALL DEVIATIONS ARE APPROVED BY THE FOLLOWING INDIVIDUALS:
 - PERSON WHO HAS INTERFACE RESPONSIBILITY
 - PERSON WITH DESIGN STANDARD APPROVER AUTHORITY
 - d) ALL RECORDS OF DEVIATION APPROVALS SHALL BE INCLUDED WITH CHANGE NOTICE DOCUMENTATION.

2. DESIGN - MATERIALS:

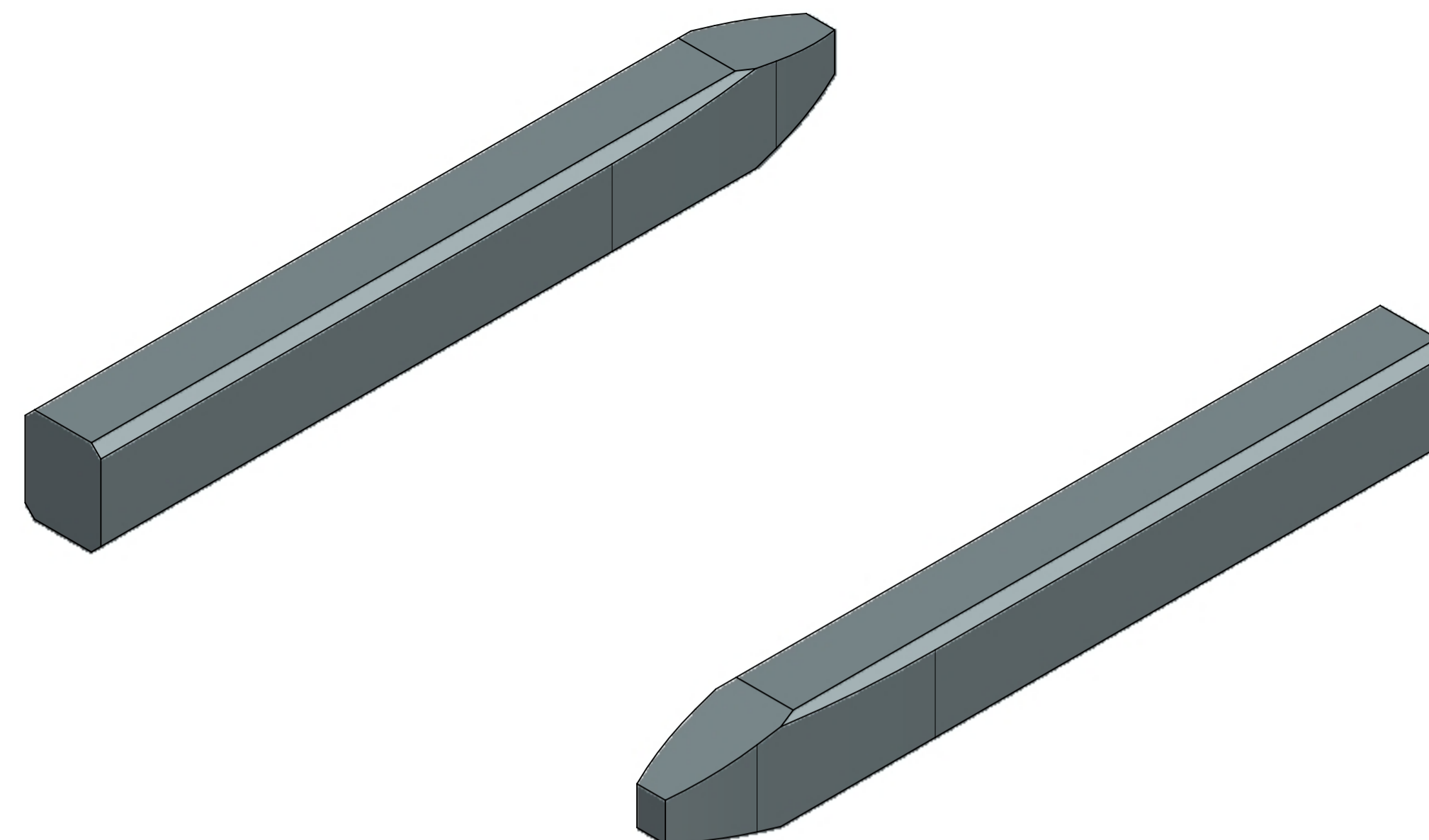
- 2.1. BASE MATERIAL TYPE : COPPER ALLOY

3. DESIGN - GEOMETRY:

- 3.1. THE 3-D CAD DATA IS BASIC (WITHOUT TOLERANCE) AND MASTER FOR THIS PART WITH EXCEPTION TO UNDERLINED DIMENSIONS. DIMENSIONAL INFORMATION NOT SHOWN ON THIS DRAWING IS DEFINED BY THE DATA FILE AT ITS LATEST REVISION.
- 3.2. PRODUCT DESIGN MODEL NUMBER(S): SEE BOM TABLE
- 3.3. GEOMETRIC DIMENSIONS AND TOLERANCES PER ASME Y14.5-2009
- 3.4. EDGES OF UNDEFINED SHAPE PER ISO 13715.
- 3.5. DIMENSIONS AND TOLERANCES APPLY BEFORE AND AFTER PLATING.
- 3.6. GENERAL TOLERANCES: SEE TITLE BLOCK

4. DESIGN - MANUFACTURING:

- 4.1. ANY REMAINING PROCESS LUBRICANT MUST NOT VARNISH OR DEGRADE ELECTRICAL PERFORMANCE. PROCESS LUBRICANTS SHOULD BE APPROVED BY THE RESPONSIBLE ENGINEER.
- 4.2. ALLOWABLE BURR: 0.03mm MAX UNLESS OTHERWISE SPECIFIED
- 4.3. FOR UNPLATES BLADES - TOOLING MARKS SPANNING ACROSS OR ALONG THE INTERFACING PROFILE OF THE BLADE SHOULD BE FURTHER INSPECTED. A TOOLING MARK DEEPER THAN 1 MICRON SHOULD NOT BE ACCEPTED.



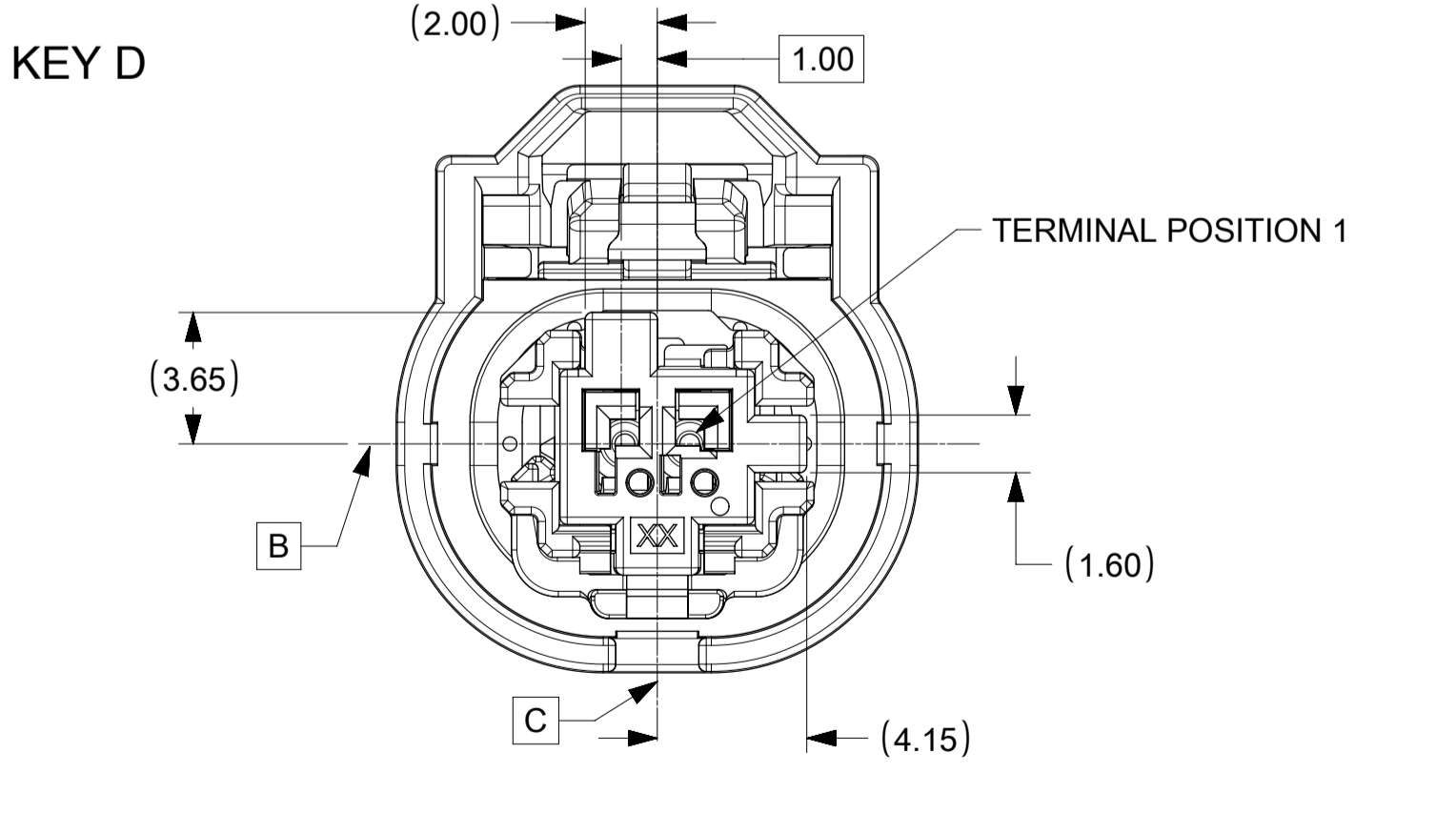
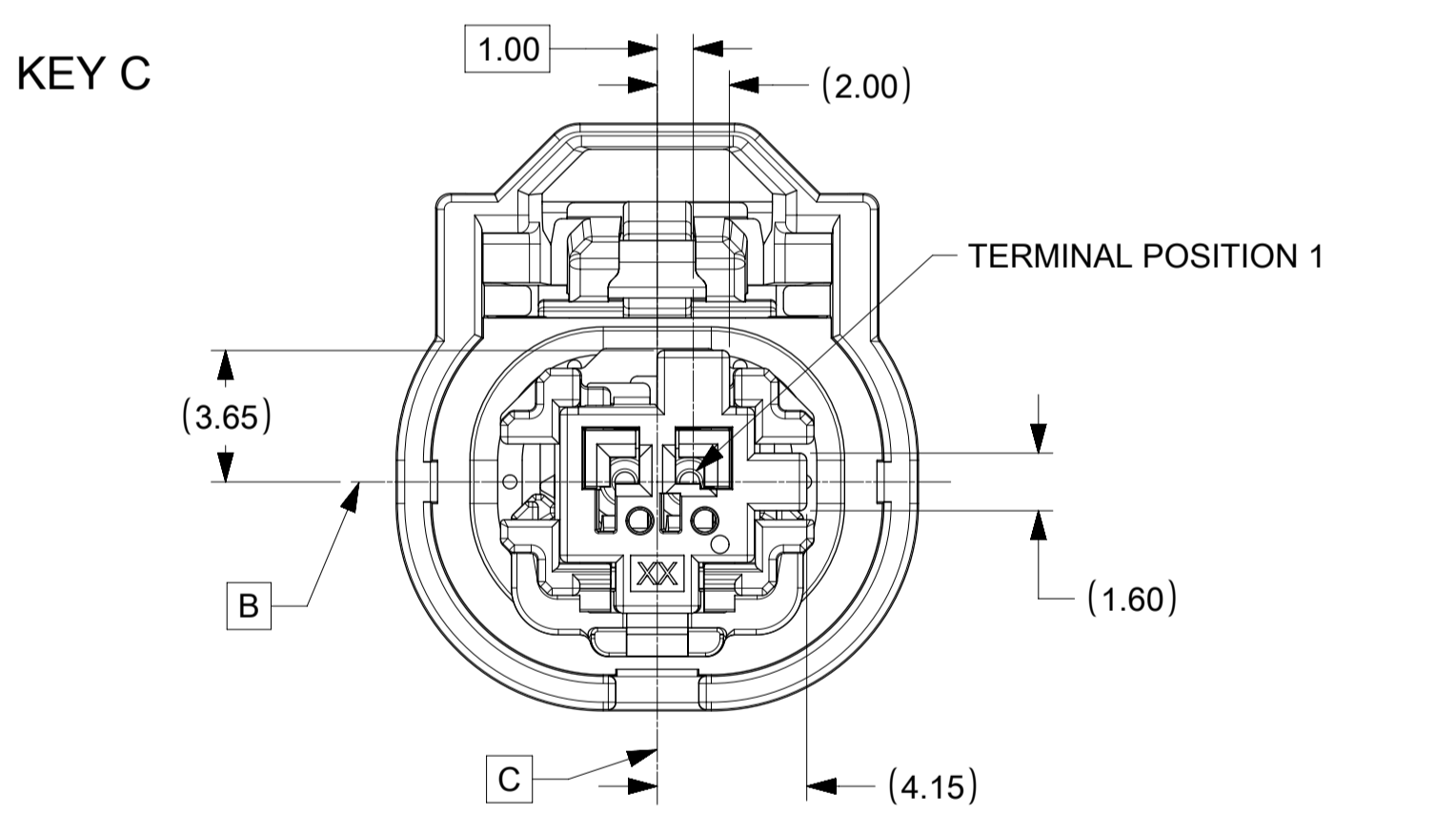
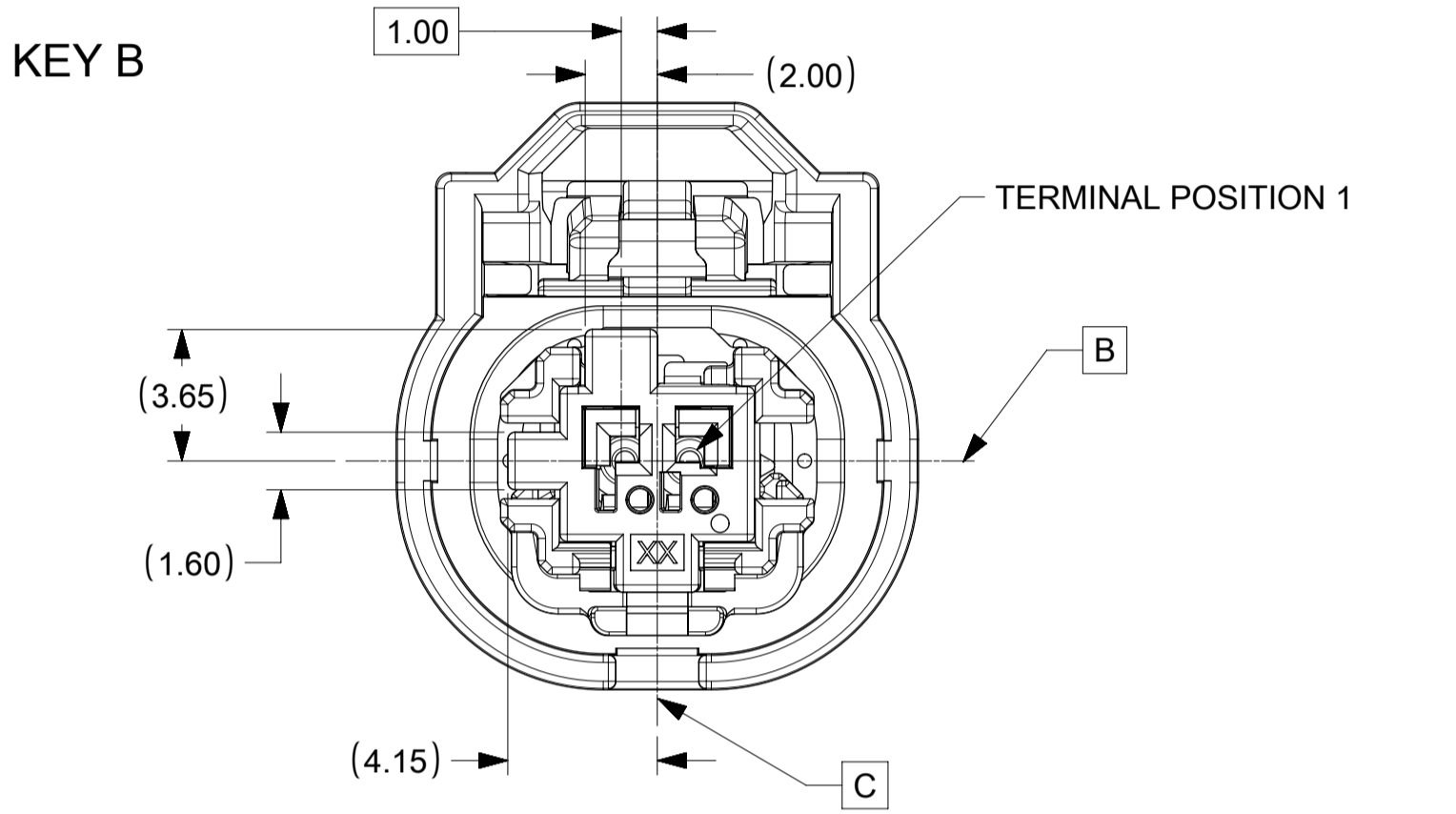
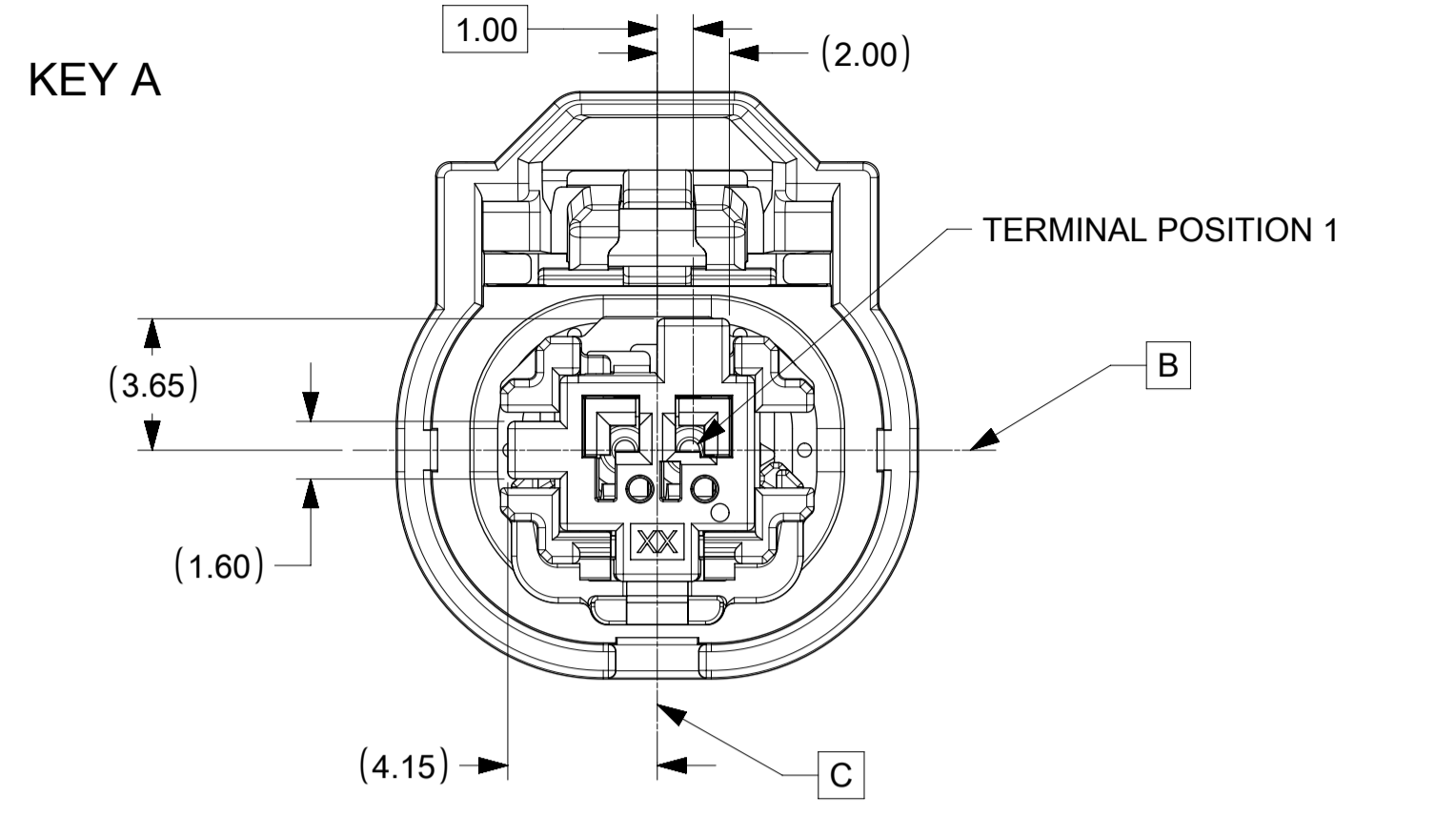
SCALE 50:1

0.5 MM PIN VIEW SHOWN FOR REPRESENTATION PURPOSES ONLY

FUNCTIONAL SYMBOLS	THIS DRAWING CONTAINS INFORMATION THAT IS PROPRIETARY TO MOLEX ELECTRONIC TECHNOLOGIES, LLC AND SHOULD NOT BE USED WITHOUT WRITTEN PERMISSION		
	DIMENSION UNITS	SCALE	CURRENT REV DESC:
$\frac{F}{A} = 0$	mm	50:1	PHASE: Design Production EC NO: CO-00000508 DRWN: Raghavendra MV 2022-01-31 CHKD: Nathan Song 2022-02-07 APPR: Deepak Patil 2022-02-09
$\frac{F}{C} = 0$	GENERAL TOLERANCES (UNLESS SPECIFIED)		
$\frac{F}{P} = 0$	ANGULAR TOL ± 0.5°		
DIVISIONAL SYMBOLS	4 PLACES	± 0.00000	
	3 PLACES	± 0.0150	INITIAL REVISION:
	2 PLACES	± 0.050	DRWN: Raghavendra MV 2022-01-31
	1 PLACE	± 0.10	APPR: Deepak Patil 2022-02-09
	0 PLACES	± 0.00	
DRAFT WHERE APPLICABLE MUST REMAIN WITHIN DIMENSIONS		THIRD ANGLE PROJECTION	DRAWING
			A1-SIZE
		SERIES	34735
		MATERIAL NUMBER	CUSTOMER
		DOCUMENT NUMBER	REVISION
		347350050	PSD 000 A21
		DESIGN STANDARD HEADER PIN & BLADE TIP GEOMETRY FOR MATING TO HARNESS TERMINALS	
		PRODUCT SALES DRAWING	
		SHEET NUMBER	
		1 OF 2	

SHEET DESCRIPTION

KEY CONFIGURATIONS



SYMBOLS	THIS DRAWING CONTAINS INFORMATION THAT IS PROPRIETARY TO MOLEX ELECTRONIC TECHNOLOGIES, LLC AND SHOULD NOT BE USED WITHOUT WRITTEN PERMISSION		
	DIMENSION UNITS	SCALE	CURRENT REV DESC: REMOVED DEVELOPMENT NOTICE
▽ = 0	mm	5:1	<p>molex</p> <p>MINI50 SEALED 1X2 RCPT ASSY</p> <p>PRODUCT CUSTOMER DRAWING</p>
▽ = 0	GENERAL TOLERANCES (UNLESS SPECIFIED)		
▽ = 0	ANGULAR TOL ± 3.0°		
▽ = 0	4 PLACES ±	EC NO: 612798	
▽ = 0	3 PLACES ±	DRWN: MLI149 2019/02/25	
▽ = 0	2 PLACES ± 0.1	CHK'D: JCONDON 2019/02/28	
▽ = 0	1 PLACE ± 0.2	APPR: JCONDON 2019/02/28	
⊠ = 0	0 PLACES ±	INITIAL REVISION:	
■ = 0	DRAFT WHERE APPLICABLE MUST REMAIN WITHIN DIMENSIONS		<p>DOCUMENT NUMBER</p> <p>349672000</p>
⊕	THIRD ANGLE PROJECTION	DRAWING	DOC TYPE DOC PART REVISION
⊕		A1-SIZE	PSD 000 A2
		SERIES	MATERIAL NUMBER CUSTOMER SHEET NUMBER
		34967	SEE CHART 2 OF 3

DOCUMENT STATUS	P1	RELEASE DATE	2019/02/28 21:35:58
-----------------	----	--------------	---------------------

TABLE OF CONTENTS	
SHEET NO.	SHEET DESCRIPTION
1	INTERFACE NOTES AND BOM
2	INTERFACE KEY CONFIGURATIONS
3	INTERFACE DEFINITION
4	INTERFACE DATUM TARGETS

MATING INTERFACE CHART			
DESCRIPTION	COLOR	MODEL NUMBER	KEY
1X2, KEY A, BLACK	BLACK	349682801	A
1X2, KEY B, LIGHT GRAY	LIGHT GRAY	349682802	B
1X2, KEY C, DARK GRAY	DARK GRAY	349682803	C
1X2, KEY D, STONE GRAY	STONE GRAY	349682804	D

NOTES: VALID UNLESS OTHERWISE SPECIFIED

1. GENERAL:

REFER TO "SAE/USCAR 12 CONNECTOR GUIDELINES" AND "SAE/USCAR 2 PERFORMANCE SPECIFICATION FOR AUTOMOTIVE ELECTRICAL CONNECTOR SYSTEMS" FOR ADDITIONAL REQUIREMENTS.

2. DESIGN - MATERIALS:

- a. HOUSING: SPS/NYLON 20% GLASS FILLED OR EQUIVALENT
FLAMMABILITY REQUIREMENT: PER ISO3795 OR GMW3191
 - 1. BURN RATE 100mm/MIN MAXIMUM
 - 2. MATERIAL MUST BE SELF EXTINGUISHING
- b. BLADE TERMINAL: SEE MOLEX SALES DRAWING 347350050. FOR MATERIAL, DIMENSIONAL, PLATING AND COATING REQUIREMENTS AND ANY BLADE TERMINAL DESIGN INFORMATION NOT SHOWN ON REFERENCED OR THIS DRAWING SEE EWCAP DWG NO. EWCAP-001.
 - 1. TIN PLATING: 2.5-4.0 MICROMETERS MATTE TIN OVER 1.25-2.25 MICROMETERS DUCTILE SULFAMATE NICKEL
 - 2. SILVER PLATING: 1.9-3.3 MICROMETERS SILVER OVER 1.0-1.8 MICROMETERS DUCTILE SULFAMATE NICKEL.
ANTI-TARNISH: SYNTHETIC HYDROCARBON CONTACT SURFACE FINISH OR EQUIVALENT APPLIED WITHOUT VOID TO CONTACT AREA

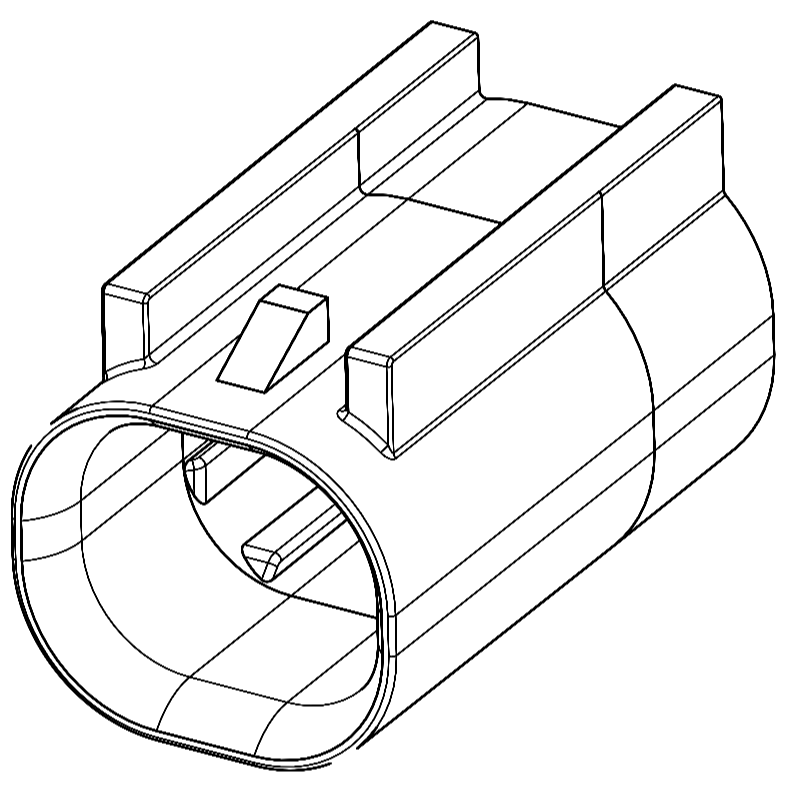
c. STANDARD COLORS FOR KEYING (SEE CHART). DEVIATION REQUIRES APPROVAL OF AUTHORIZED PERSON.

3. DESIGN - GEOMETRY:

- a. THE 3-D CAD DATA IS BASIC (WITHOUT TOLERANCE) AND THE MASTER FOR THIS PART WITH THE EXCEPTION OF UNDERLINED DIMENSIONS. DIMENSIONAL INFORMATION NOT SHOWN IN THIS DRAWING IS DEFINED BY THE DATA FILE AT ITS LATEST REVISION.
- b. PRODUCT DESIGN MODEL NUMBER(S): SEE MATING INTERFACE CHART
- c. GEOMETRIC DIMENSIONS AND TOLERANCES PER ASME Y14.5-2009
- d. GENERAL TOLERANCES: SEE TITLE BLOCK
- e. EDGES AND UNDIMENSIONED DETAILS PER ISO13715
- f. CORNERS SHOWN AS SHARP TO BE R0.2 MAX.
- g. LETTERING SHALL BE 0.15 MAX RAISED IN 0.25 MAX RECESS PAD.
THIS INCLUDES RECYCLING CODE, CAVITY ID, VENDOR IDENTIFICATION, AND CUSTOMER MATERIAL NUMBER.
(FOR SMALL PARTS: LETTERING SHALL BE 0.10 MAX RAISED IN 0.15 MAX RECESS PAD)

4. DESIGN - MANUFACTURING:

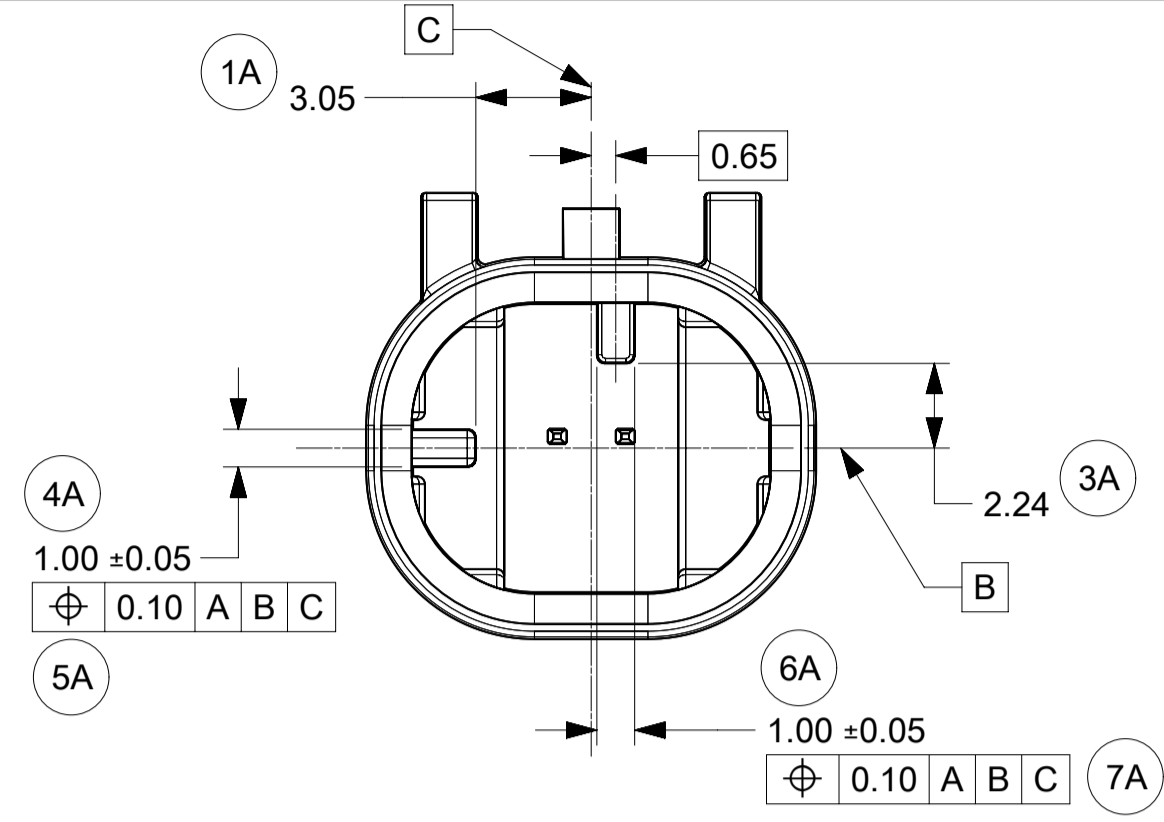
- a. ALLOWABLE FLASH MAX 0.20 HIGH BY MAX 0.13 THICK.
- b. ALLOWABLE SPLIT/PARTING LINE MISMATCH 0.2 MAX.
- c. EJECTOR PIN MARKS TO BE FLUSH TO 0.25 MAX DEPRESSED. LOCATION MUST BE APPROVED BY PRODUCT ENGINEERING. EJECTOR PIN MARKS NOT PERMISSIBLE ON OR NEAR DATUM TARGET AREA.
- d. ALLOWABLE GATE VESTIGE FLUSH TO 0.25 MAX RECESS. LOCATION MUST BE APPROVED BY PRODUCT ENGINEERING.
- e. NO EXTERNAL MOLD RELEASE AGENT ALLOWED DURING MANUFACTURING.
- f. NO PARTING LINES, MISMATCHES OR EJECTOR MARKS PERMISSIBLE WITHIN THE INDICATED SURFACE. TOOLING FOR INDICATED SURFACE MUST BE PROCESSED TO A SURFACE FINISH OF NTMA #70 (400 PAPER).
- g. BLADE TERMINAL ENVIRONMENTAL BARRIER (USED WITH SILVER PLATED TERMINALS) SHALL NOT BE PRESENT ON ANY SURFACE OTHER THAN THE BLADE TERMINALS
- h. NO PARTING LINES, FLASH, MISMATCHES OR EJECTOR MARKS PERMISSIBLE ON THE INDICATED NOSE SURFACE OR TRANSITION TO INTERNAL SHROUD SURFACE.



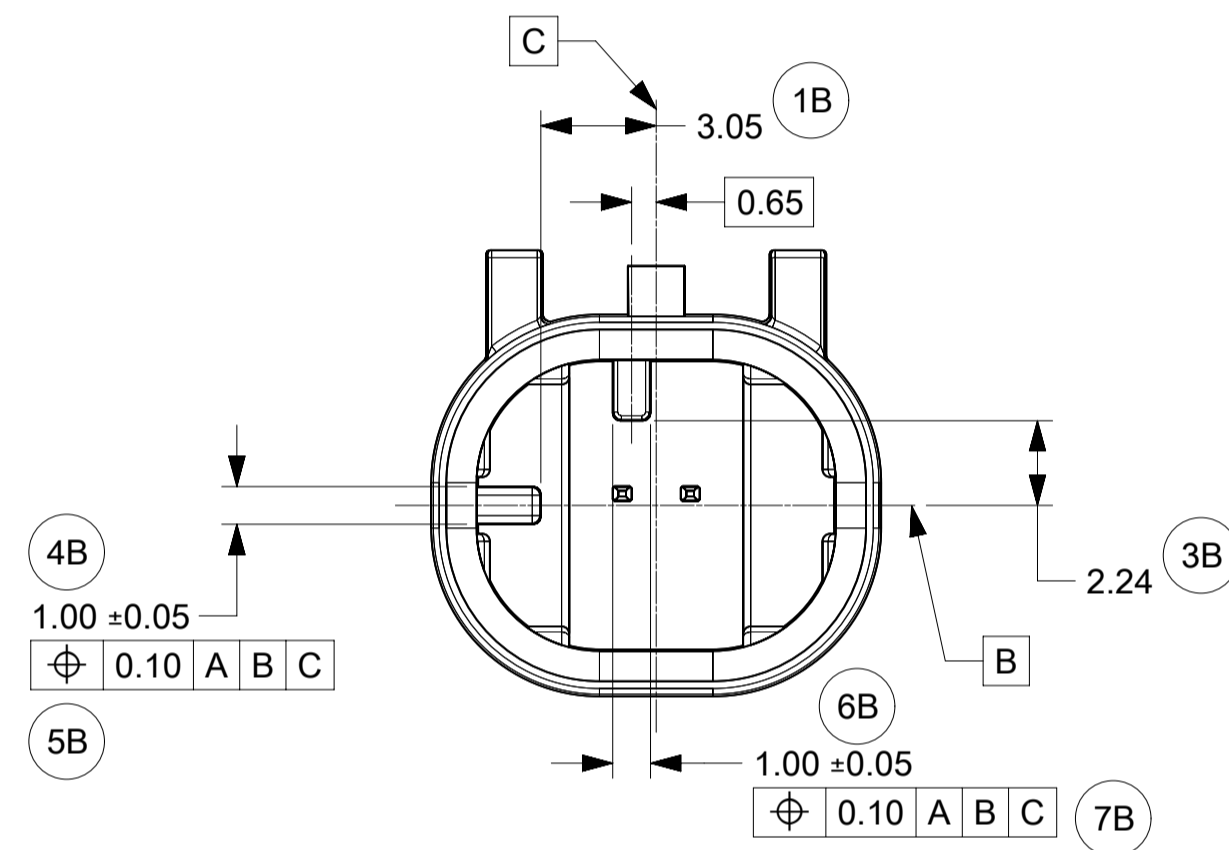
QUALITY SYMBOLS	THIS DRAWING CONTAINS INFORMATION THAT IS PROPRIETARY TO MOLEX ELECTRONIC TECHNOLOGIES, LLC AND SHOULD NOT BE USED WITHOUT WRITTEN PERMISSION									
	FA = 0	2021/03/22 DRWN: ML149 CHKD: JCONDON 2021/03/24	GENERAL TOLERANCES (UNLESS SPECIFIED)		DIMENSION UNITS	SCALE				
FE = 0	ANGULAR TOL ± 3.0 °		mm	10:1						
FC = 0	659036 EC NO: DRWN: ML149 CHKD: JCONDON 2021/03/24	4 PLACES ±		DRWN BY	DATE	MINI50 SEALED 1X2 HEADER INTERFACE				
FV = 0		3 PLACES ±		ML149	2017/05/08					
CS = 0	REV APPR: JCONDON	2 PLACES ± 0.1		CHK'D BY	DATE	PRODUCT CUSTOMER DRAWING				
CC = 0		1 PLACE ± 0.2		JCONDON	2017/09/13					
CA = 0	A2	0 PLACES ±		APPR BY	DATE	SERIES	MATERIAL NUMBER	CUSTOMER		
CB = 0		DRAFT WHERE APPLICABLE MUST REMAIN WITHIN DIMENSIONS		A1	JCONDON	2017/09/13	34968	SEE CHART		
CC = 0				DRAWING SIZE	THIRD ANGLE PROJECTION	DOCUMENT NUMBER	DOC TYPE	DOC PART	SHEET NUMBER	
CD = 0						349682800	PSD	000	1 OF 4	

SHEET DESCRIPTION
KEY CONFIGURATIONS

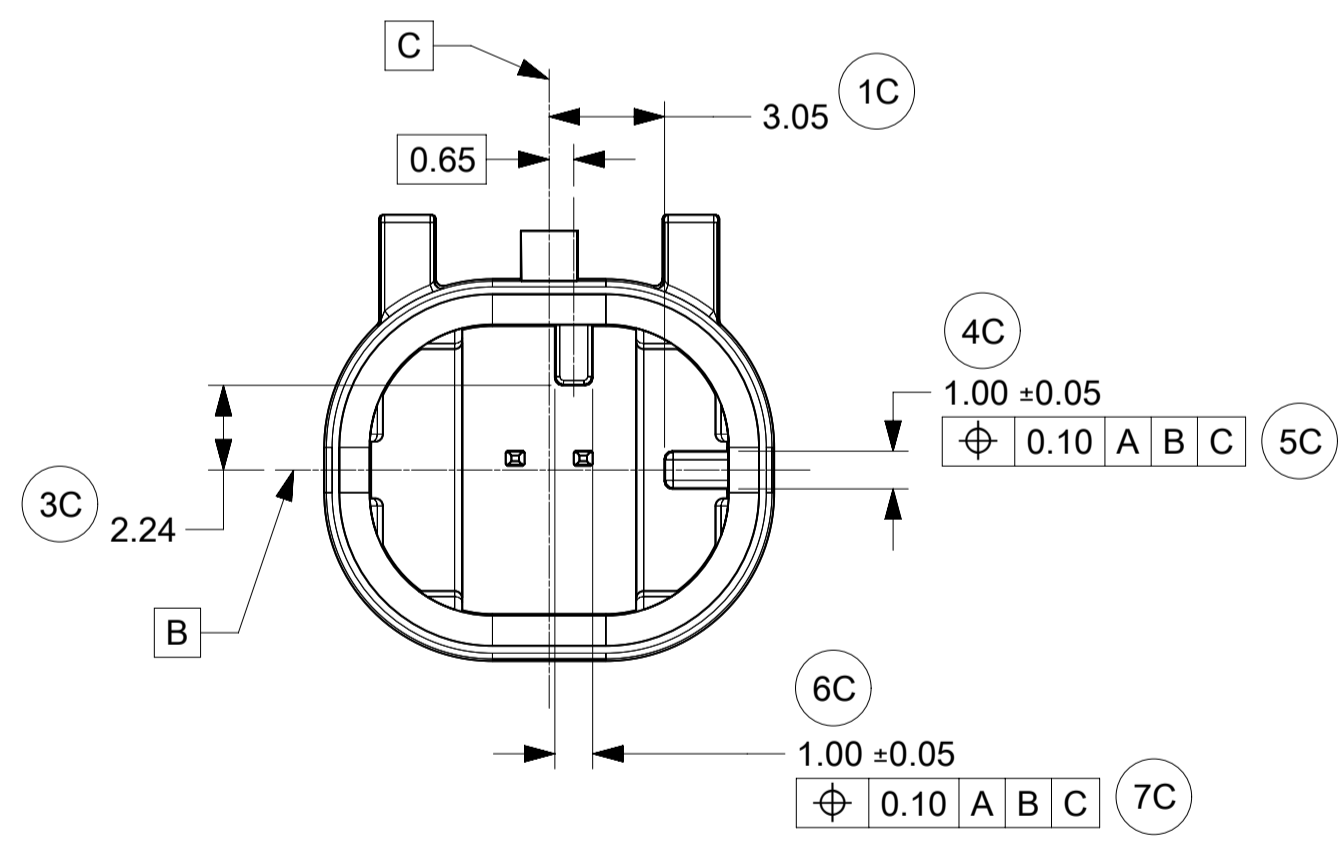
1X2



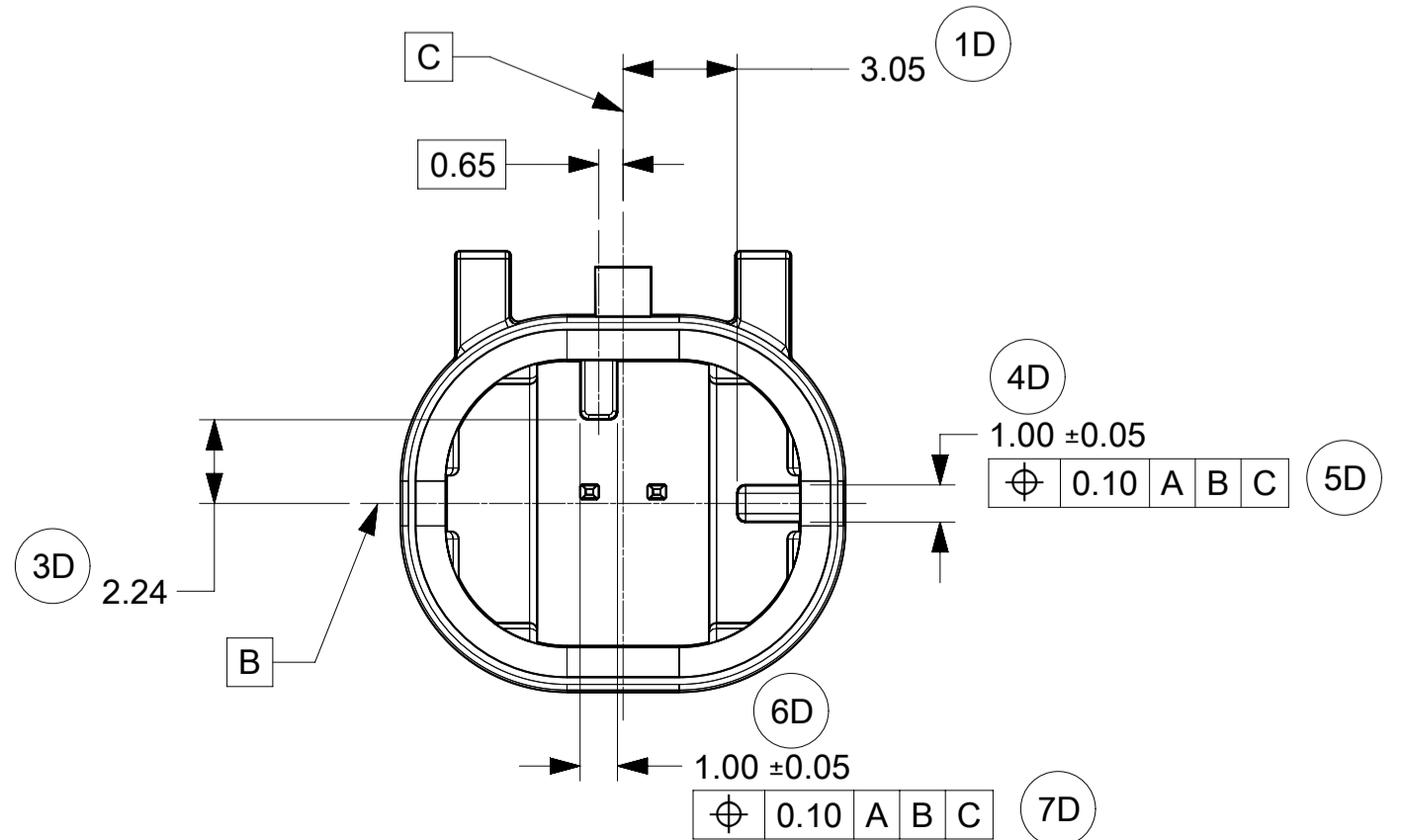
KEY OPTION A



KEY OPTION B



KEY OPTION C



KEY OPTION D

THIS DRAWING CONTAINS INFORMATION THAT IS PROPRIETARY TO MOLEX ELECTRONIC TECHNOLOGIES, LLC AND SHOULD NOT BE USED WITHOUT WRITTEN PERMISSION									
QUALITY SYMBOLS	EC NO: 659036 DRWN: ML149 CHKD: JCONDON APPR: JCONDON	GENERAL TOLERANCES (UNLESS SPECIFIED)		DIMENSION UNITS	SCALE				
		ANGULAR TOL ± 3.0 °		mm	5:1				
FA = 0	2021/03/22 2021/03/24 2021/03/24	4 PLACES ±		DRWN BY	DATE	MINI50 SEALED 1X2 HEADER INTERFACE			
FE = 0		3 PLACES ±		ML149	2017/05/08				
FE = 0		2 PLACES ± 0.1		CHK'D BY	DATE	PRODUCT CUSTOMER DRAWING			
FV = 0		1 PLACE ± 0.2		JCONDON	2017/09/13				
CV = 0		0 PLACES ±		APPR BY	DATE	SERIES: 34968 MATERIAL NUMBER: SEE CHART CUSTOMER:			
CV = 0		DRAFT WHERE APPLICABLE MUST REMAIN WITHIN DIMENSIONS		JCONDON	2017/09/13				
CV = 0	A2		DRAWING SIZE	THIRD ANGLE PROJECTION	DOCUMENT NUMBER: 349682800 DOC TYPE: PSD DOC PART: 000		SHEET NUMBER: 2 OF 4		

