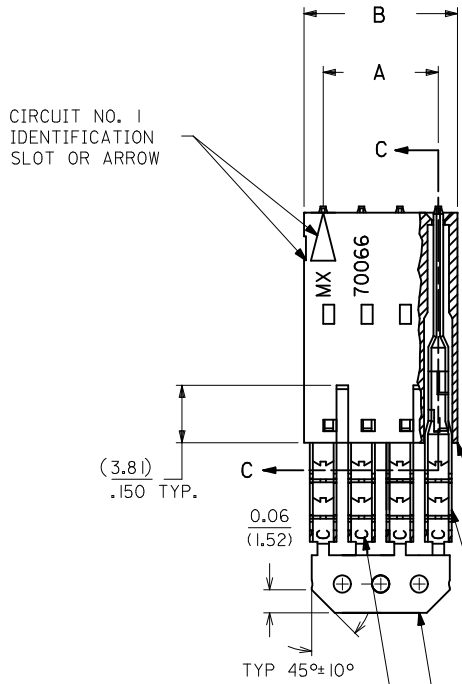
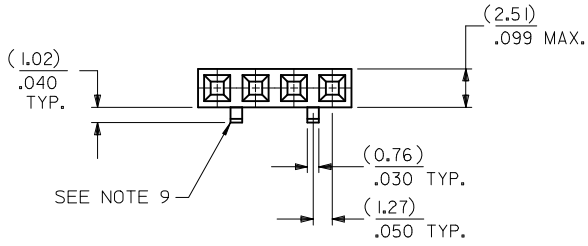
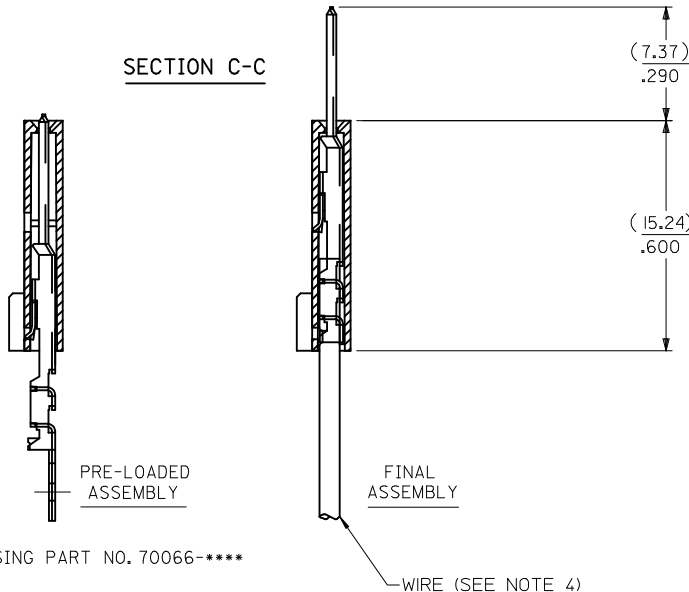


# OPTION D

- NOTES:
- MATERIAL: HOUSING - G.F. POLYESTER, 94V-0  
TERMINAL - PHOSPHOR BRONZE
  - FINISH: 0.38 MICROMETERS/15 MICROINCHES MINIMUM GOLD  
IN SELECT AREA  
1.91 MICROMETERS/75 MICROINCHES MINIMUM TIN  
IN SELECT AREA  
OVER NICKEL UNDERPLATE OVER-ALL.
  - PRODUCT SPECIFICATION: PS-70400
  - TO BE USED WITH 28 AWG. STANDARD WIRE WITH  
1.35/.053 DIAMETER MAXIMUM INSULATION.
  - SEE CHART FOR CIRCUIT SIZES.
  - STANDARD PACKAGING PER PK-70873-0001. OPTIONAL  
PACKAGING MAY BE AVAILABLE. REQUEST DRAWING  
PK-70475.
  - PARTS STACKABLE END TO END ON 2.54/100 CENTERS
  - SEE DRAWING SDA-70457-\*\*\*\* (SHEET 3) FOR OPTIONAL  
HOUSING DETAILS.
  - 4 CIRCUIT SHOWN. 3-25 CIRCUITS HAVE 2 RIBS.
  - TO MATE WITH MOLEX PART NUMBERS: 70018-0000,  
70022-\*\*\*\*, 70104-\*\*\*\*.
  - 2 CIRCUIT ASSEMBLIES SUPPLIED AS GROUPED PAIRS.



## SECTION C-C



CKT. SIZE	A	B	EDP. NO.	ENG. NO.
2	( 2.54 ) .100	( 5.05 ) .199	14-44-2102	A-70475-0946
3	( 5.08 ) .200	( 7.59 ) .299	14-44-2103	A-70475-0947
4	( 7.62 ) .300	( 10.13 ) .399	14-44-2104	A-70475-0948
5	( 10.16 ) .400	( 12.67 ) .499	14-44-2105	A-70475-0949
6	( 12.70 ) .500	( 15.21 ) .599	14-44-2106	A-70475-0950
7	( 15.24 ) .600	( 17.75 ) .699	14-44-2107	A-70475-0951
8	( 17.78 ) .700	( 20.29 ) .799	14-44-2108	A-70475-0952
9	( 20.32 ) .800	( 22.83 ) .899	14-44-2109	A-70475-0953
10	( 22.86 ) .900	( 25.37 ) .999	14-44-2110	A-70475-0954
11	( 25.54 ) 1.000	( 27.91 ) 1.099	14-44-2111	A-70475-0955
12	( 27.94 ) 1.100	( 30.45 ) 1.199	14-44-2112	A-70475-0956
13	( 30.48 ) 1.200	( 32.99 ) 1.299	14-44-2113	A-70475-0957
14	( 33.02 ) 1.300	( 35.53 ) 1.399	14-44-2114	A-70475-0958
15	( 35.56 ) 1.400	( 38.07 ) 1.499	14-44-2115	A-70475-0959
16	( 38.01 ) 1.500	( 40.61 ) 1.599	14-44-2116	A-70475-0960
17	( 40.64 ) 1.600	( 43.15 ) 1.699	14-44-2117	A-70475-0961
18	( 43.18 ) 1.700	( 45.69 ) 1.799	14-44-2118	A-70475-0962
19	( 45.72 ) 1.800	( 48.23 ) 1.899	14-44-2119	A-70475-0963
20	( 48.26 ) 1.900	( 50.77 ) 1.999	14-44-2120	A-70475-0964
21	( 50.80 ) 2.000	( 53.31 ) 2.099	14-44-2121	A-70475-0965
22	( 53.34 ) 2.100	( 55.85 ) 2.199	14-44-2122	A-70475-0966
23	( 55.88 ) 2.200	( 58.39 ) 2.299	14-44-2123	A-70475-0967
24	( 58.42 ) 2.300	( 60.93 ) 2.399	14-44-2124	A-70475-0968
25	( 60.96 ) 2.400	( 63.47 ) 2.499	14-44-2125	A-70475-0969



I.D. SLOT CODE TO WIRE GAUGE CHART	
I.D. SLOT CODE	WIRE GAUGE
C	28 AWG.

PLATING CODE (STRIPE ON CARRIER STRIP)	
PLATING	COLOR
15 GOLD	YELLOW

ADD GEN TOLERANCES	DESCRIPTION	QUALITY SYMBOLS
EC NO: UCP2011-3892	2011/06/27	▽=0
DRWINHIS IBARRA	CHKD:MORGAN	▽=0
APPR:SMILLER	2011/07/07	▽=0

GENERAL TOLERANCES (UNLESS SPECIFIED)	
mm	INCH
4 PLACES ± .010	± .0004
3 PLACES ± .010	± .0004
2 PLACES ± 0.25	± .010
1 PLACE ± 0.35	± .014
ANGULAR ± 1/2°	

DIMENSION STYLE	
MM/IN	SCALE
DRAWN BY: WAZ	DATE: 10/13/1984
CHECKED BY: WAZ	DATE: 10/13/1984
APPROVED BY: RL	DATE: 10/13/1984
MATERIAL NO. SEE TABLE	
DOCUMENT NO. SDA-70475-0946-0969	

SCALE	DESIGN UNITS	THIRD ANGLE PROJECTION
4:1	INCH	ASSEMBLY, SL CONNECTOR SINGLE ROW 2.54/100 GRID
MOLEX MOLEX INCORPORATED		SHEET NO. 1 OF 1