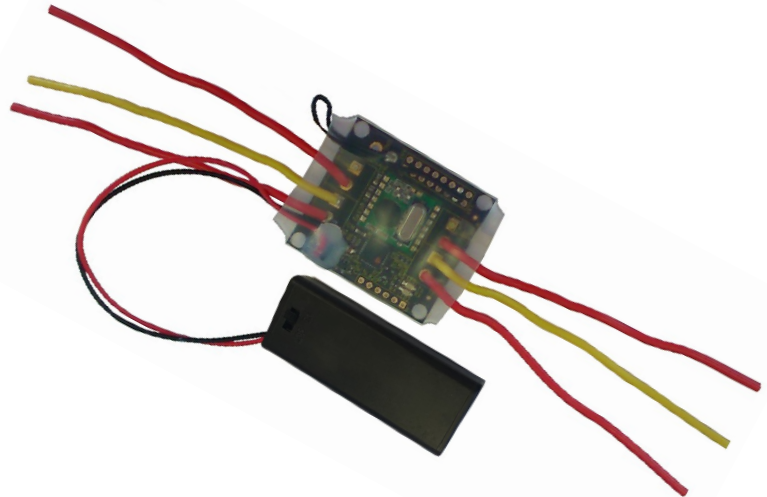


Makes any switch wireless!

Features:

- Simple to use
- Range up to 100m
- 2 Channel switch
- Ultra low power
- Versatile
- Compact - 38mm x 42mm
- Shrink-wrap Housing



Applications:

- Remote Control
- Remote Switching
- Remote Light switch
- Single or double gang switch

Operates with:

- BRAVO-T868
- ELITE Series
- MAINSLINK
- TRAP

Description:

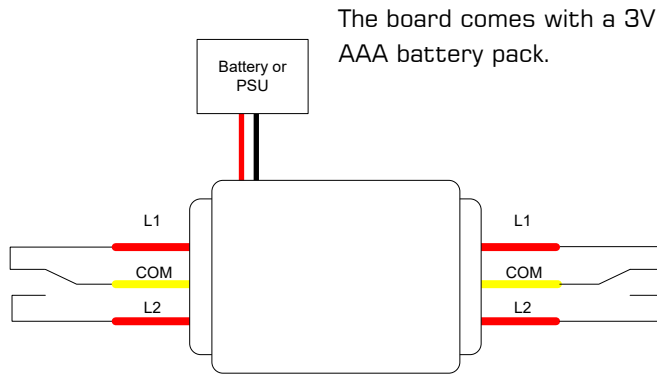
The SQUIDBOARD is an innovative product which allows anybody to make their own remote transmitter and wireless enable an existing switch.

With 6 wired inputs to use and being only 38mm x 42mm the SQUIDBOARD is small and powerful. The tiny board is easily capable of achieving 100m range in open line-of-sight conditions.

Ordering Information:

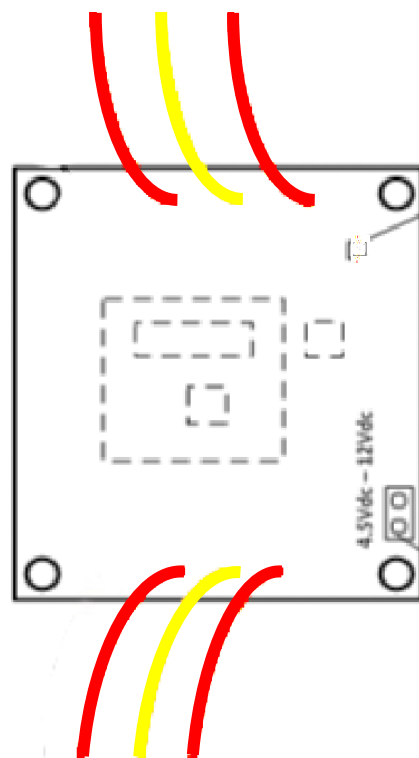
| Part Number | Description |
|----------------|---|
| SQUIDBOARD-868 | Turns any 868MHz switch into a remote control |

Functional overview:



SQUIDBOARD has four inputs. Each requires a volt free switch in order to operate. Any inputs wires that are unused may be removed or just folded out of the way.

Note: please ensure unused wires are insulated to stop false transmissions and battery loss.



Green transmit indicator LED
Red battery low indicator LED

The SQUIDBOARD is supplied with a battery connector for use with a 3V AAA battery pack.

NOTE: There is no regulator fitted to this circuit so it cannot support the 4.5-12V stated on the PCB.

Operational Characteristics

The SQUIDBOARD is very simple to connect and use. Simply wire a switch to any one or many of the inputs and send a signal.

Pairing process will be as per the datasheet of your chosen receiver.

IMPORTANT NOTE:

As default the SQUIDBOARD is designed for use with latching buttons - to send a signal on state change when a switch is made or broken. This means all 3 wires must be used.

If both Live wires touch the common this will put the module to sleep and will not wake unless power is cycled to the unit.

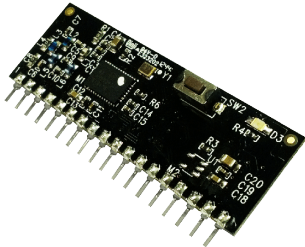
*Soldering to or otherwise modifying the SQUIDBOARD will invalidate the warranty.

SQUIDBOARD-868



Compatible receivers:

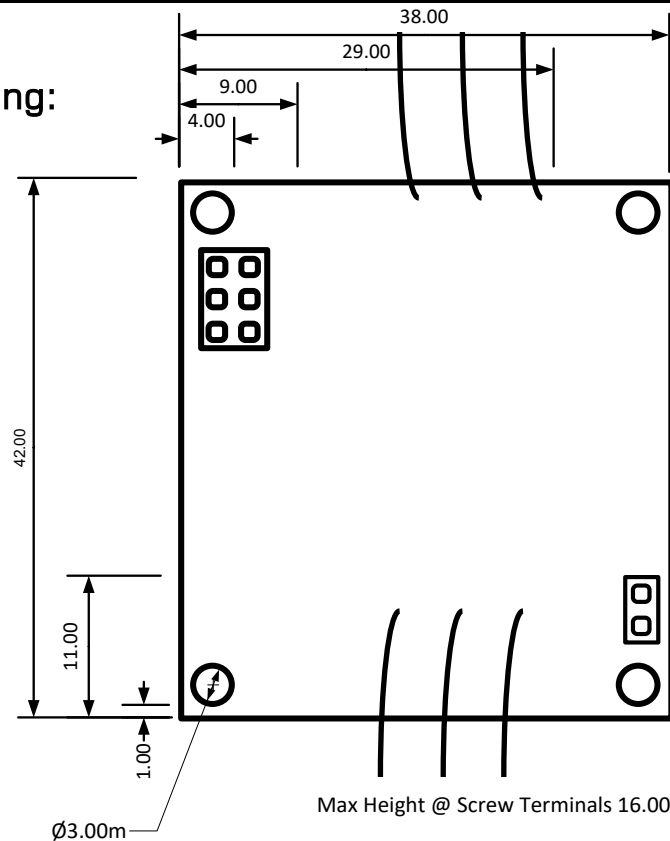
The SQUIDBOARD is a versatile remote control and as such is compatible with nearly all RF Solutions 868MHz receivers.



Ordering Information

| Receiver Part Number | Form Factor | Expected Range | Outputs |
|----------------------|--------------------------|----------------|---------------------|
| ELITE-RX* | Boxed IP rated | 100m | 4x 230Vac outputs |
| ELITE-RXL* | Boxed IP rated | 100m | 4 changeover relays |
| MAINSLINK-RX | Boxed IP rated | 100m | 1x 230Vac output |
| TRAP-RX | Boxed IP rated | 100m | 4 changeover relays |
| BRAVO-T868 | Intelligent radio module | 100m | 8 TTL level |

Mechanical Drawing:



FM76316

SQUIDBOARD-868



Technical Specifications:

Operating temperature: 0 - 55°C

Storage Temperature: -10 - 70°C

| Electrical Characteristics | Min | Typical | Max | Units |
|---|-----|---------|-----|-------|
| Supply Voltage: 3V Supply | 2.4 | 3 | 3.8 | Vdc |
| Antenna Output Lead Impedance | | 50 | | Ohms |
| Minimum input activation time to trigger transmission | | 50 | | ms |
| 868MHz Version | | | | |
| Supply Current: Quiescent | 1 | 1.5 | 2 | uA |
| Supply Current: Transmitting Data | 18 | 22 | 26 | mA |



FM76316

Simplified Declaration of Conformity (RED)

- BG** - С настоящото RF Solutions Limited декларира, че този тип радиосъоръжение дефинирани в този документ е в съответствие с Директива 2014/53/ЕС. Цялостният текст на ЕС декларацията за съответствие може да се намери на следния интернет адрес: www.rfolutions.co.uk
- CS** - Tímto RF Solutions Limited prohlašuje, že typ rádiového zařízení definované v tomto dokumentu je v souladu se směrnicí 2014/53/EU. Úplné znění EU prohlášení o shodě je k dispozici na této internetové adrese: www.rfolutions.co.uk
- DA** - Hermed erklærer RF Solutions Limited, at radioudstyrstypen defineret i dette dokument er i overensstemmelse med direktiv 2014/53/EU. EU-overensstemmelseserklæringens fulde tekst kan findes på følgende internetadresse: www.rfolutions.co.uk
- DE** - Hiermit erkläre RF Solutions Limited, dass der Funkanlagentyp in diesem Dokument definiert der Richtlinie 2014/53/EU entspricht. Der vollständige Text der EU-Konformitätserklärung ist unter der folgenden Internetadresse verfügbar: www.rfolutions.co.uk
- EL** - Με την παρούσα ο/η RF Solutions Limited, δηλώνει ότι ο ραδιοεξοπλισμός ορίζεται σε αυτό το έγγραφο πληροί την οδηγία 2014/53/ΕΕ. Το πλήρες κείμενο της δήλωσης συμμόρφωσης ΕΕ διατίθεται στην ακόλουθη ιστοσελίδα στο διαδίκτυο: www.rfolutions.co.uk
- EN** - Hereby, RF Solutions Limited declares that the radio equipment type defined within this document is in compliance with Directive 2014/53/EU. The full text of the EU declaration of conformity is available at the following internet address: www.rfolutions.co.uk
- ES** - Por la presente, RF Solutions Limited declara que el tipo de equipo radioeléctrico definido dentro de este documento es conforme con la Directiva 2014/53/UE. El texto completo de la declaración UE de conformidad está disponible en la dirección Internet siguiente: www.rfolutions.co.uk
- ET** - Käesolevaga deklareerib RF Solutions Limited, et käesolev raadioseadme tüüp määratletud selles dokumendis vastab direktiivi 2014/53/EL nõuetele. ELi vastavusdeklaratsiooni täielik tekst on kättesaadav järgmisel internetiaadressil: www.rfolutions.co.uk
- FI** - RF Solutions Limited vakuuttaa, että radiolaitetyypin määriteltäessä selles dokumendis on direktiivin 2014/53/EU mukainen. EU-vaatimustenmukaisuusvakuutuksen täysimittainen teksti on saatavilla seuraavassa internetosoitteessa: www.rfolutions.co.uk
- FR** - Le soussigné, RF Solutions Limited, déclare que l'équipement radioélectrique du type défini dans ce document est conforme à la directive 2014/53/UE. Le texte complet de la déclaration UE de conformité est disponible à l'adresse internet suivante: www.rfolutions.co.uk
- HR** - RF Solutions Limited ovime izjavljuje da je radijska oprema tipa definirani u ovom dokumentu u skladu s Direktivom 2014/53/EU. Cjeloviti tekst EU izjave o skladnosti dostupan je na sljedećoj internetskoj adresi: www.rfolutions.co.uk
- HU** - RF Solutions Limited igazolja, hogy a dokumentumban meghatározottak szerint típusú rádióberendezés megfelel a 2014/53/EU irányelvnek. Az EU-megfelelőségi nyilatkozat teljes szövege elérhető a következő internetes címen: www.rfolutions.co.uk
- IT** - Il fabbricante, RF Solutions Limited, dichiara che il tipo di apparecchiatura radio definito all'interno di questo documento è conforme alla direttiva 2014/53/UE. Il testo completo della dichiarazione di conformità UE è disponibile al seguente indirizzo Internet: www.rfolutions.co.uk
- LT** - Aš, RF Solutions Limited, patvirtinu, kad radijo įrenginių tipas apibrėžta šiame dokumente atitinka Direktyvą 2014/53/ES. Visas ES atitikties deklaracijos tekstas prieinamas šiuo interneto adresu: www.rfolutions.co.uk
- LV** - Ar šo RF Solutions Limited deklarē, ka radioiekārta kas definēts šajā dokumentā atbilst Direktīvai 2014/53/ES. Pilns ES atbilstības deklarācijas teksts ir pieejams šādā interneta vietnē: www.rfolutions.co.uk
- MT** - B'dan, RF Solutions Limited, niddikjara li dan it-tip ta' taghmir tar-radju definit f'dan id-dokument huwa konformi mad-Direttiva 2014/53/UE. It-test kollu tad-dikjarazzjoni ta' konformita' tal-UE huwa disponibbli f'dan l-indirizz tal-Internet li ġej: www.rfolutions.co.uk
- NL** - Hierbij verklaar ik, RF Solutions Limited, dat het type radioapparatuur gedefinieerd in dit document conform is met Richtlijn 2014/53/EU. De volledige tekst van de EU-conformiteitsverklaring kan worden geraadpleegd op het volgende internetadres: www.rfolutions.co.uk
- PL** - RF Solutions Limited niniejszym oświadczam, że typ urządzenia radiowego zdefiniowane w tym dokumencie jest zgodny z dyrektywą 2014/53/UE. Pełny tekst deklaracji zgodności UE jest dostępny pod następującym adresem internetowym: www.rfolutions.co.uk
- PT** - O(a) abaixo assinado(a) RF Solutions Limited declara que o presente tipo de equipamento de rádio definido neste documento está em conformidade com a Diretiva 2014/53/UE. O texto integral da declaração de conformidade está disponível no seguinte endereço de Internet: www.rfolutions.co.uk
- RO** - Prin prezenta, RF Solutions Limited declară că tipul de echipamente radio definit în acest document este în conformitate cu Directiva 2014/53/UE. Textul integral al declarației UE de conformitate este disponibil la următoarea adresă internet: www.rfolutions.co.uk
- SK** - RF Solutions Limited týmto vyhlasuje, že rádiové zariadenie typu definované v tomto dokumente je v súlade so smernicou 2014/53/EÚ. Úplné EÚ vyhlásenie o zhode je k dispozícii na tejto internetovej adrese: www.rfolutions.co.uk
- SL** - RF Solutions Limited potrjuje, da je tip radijske opreme opredeljeno v tem dokumentu skladen z Direktivo 2014/53/EU. Celotno besedilo izjave EU o skladnosti je na voljo na naslednjem spletnem naslovu: www.rfolutions.co.uk
- SV** - Härmed försäkrar RF Solutions Limited att denna typ av radioutrustning definieras i detta dokument överensstämmer med direktiv 2014/53/EU. Den fullständiga texten till EU-försäkran om överensstämmelse finns på följande webbadress: www.rfolutions.co.uk

RF Solutions Ltd. Recycling Notice

Meets the following EC Directives:

DO NOT

Discard with normal waste, please recycle.

ROHS Directive 2011/65/EC

Specifies certain limits for hazardous substances.

WEEE Directive 2012/19/EC

Waste electrical & electronic equipment. This product must be disposed of through a licensed WEEE collection point. RF Solutions Ltd., fulfils its WEEE obligations by membership of an approved compliance scheme.

Environment Agency producer registration number: WEE/JBO104WV.

Disclaimer:

Whilst the information in this document is believed to be correct at the time of issue, RF Solutions Ltd does not accept any liability whatsoever for its accuracy, adequacy or completeness. No express or implied warranty or representation is given relating to the information contained in this document. RF Solutions Ltd reserves the right to make changes and improvements to the product(s) described herein without notice. Buyers and other users should determine for themselves the suitability of any such information or products for their own particular requirements or specifications. RF Solutions Ltd shall not be liable for any loss or damage caused as a result of user's own determination of how to deploy or use RF Solutions Ltd's products. Use of RF Solutions Ltd products or components in life support and/or safety applications is not authorised except with express written approval. No licences are created, implicitly or otherwise, under any of RF Solutions Ltd's intellectual property rights. Liability for loss or damage resulting or caused by reliance on the information contained herein or from the use of the product (including liability resulting from negligence or where RF Solutions Ltd was aware of the possibility of such loss or damage arising) is excluded. This will not operate to limit or restrict QuasarUK Ltd's liability for death or personal injury resulting from its negligence.



Waste Batteries and Accumulators Directive 2006/66/EC

Where batteries are fitted, before recycling the product, the batteries must be removed and disposed of at a licensed collection point.

RF Solutions battery producer number:

BPRN00060.