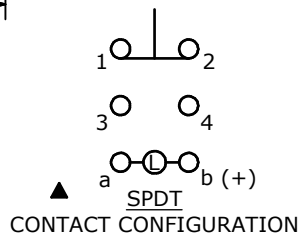


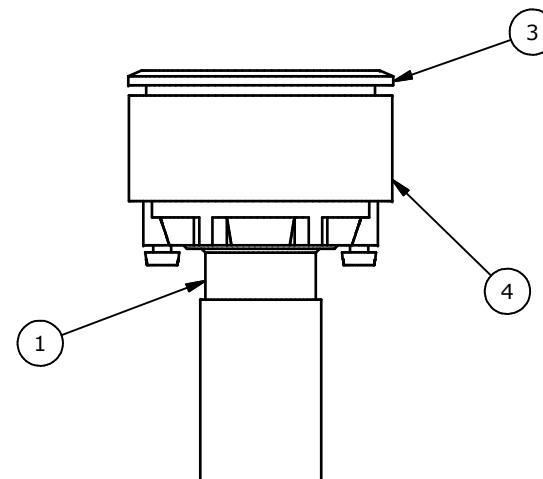
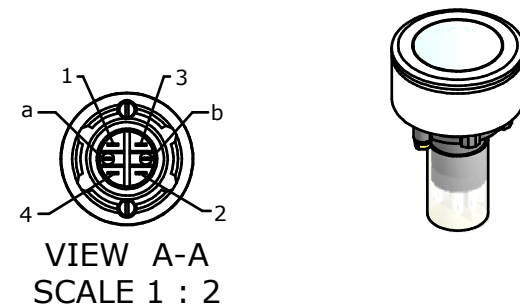
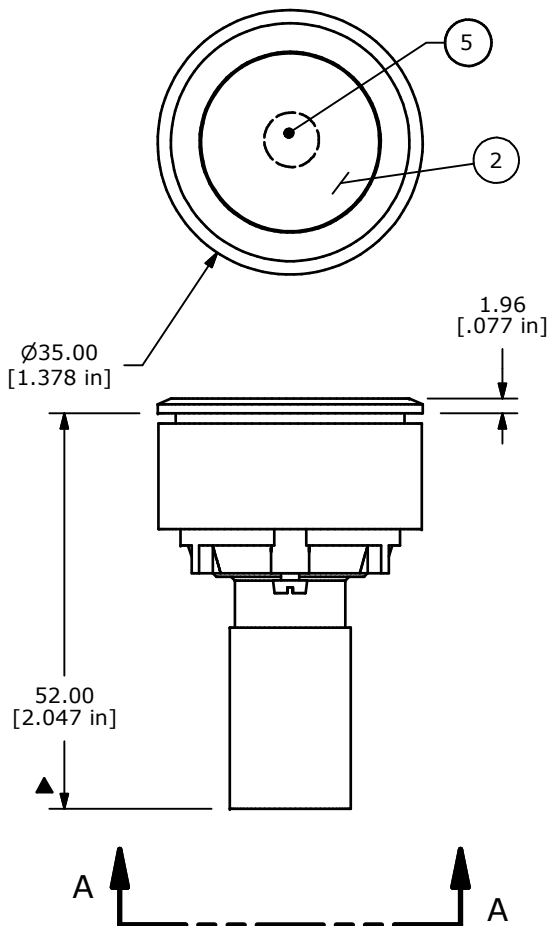
RECOMMEND PANEL MOUNTING



NOTES:

1. ALL DIMENSIONS IN MM [INCH].
2. GENERAL TOLERANCE: 0.0±0.4
0.00±0.25
3. TERM. NOS. FOR REF. ONLY.
4. RATING: 5A @250VAC
8A @125VAC
.2A @250VDC
6A @24VDC
5. INSULATION: 1,000 MΩ MIN.
6. DIELECTRIC STRENGTH: 1,500V FOR 1 MIN.
7. SEALED TO IP65.
8. TRAVEL: 3.0MM FULL TRAVEL, 2.0MM LATCH
9. ELECTRICAL LIFE: >50,000 CYCLES
10. OPERATING TEMP: -25C TO +55C
11. PANEL THICKNESS: 0.5MM TO 3.0MM
12. LAMP: NEON 110 VAC GREEN
- 13.▲ DENOTES CRITICAL PARAMETER.

▲ Parts List				
ITEM	QTY	PART NUMBER	DESCRIPTION	
1	1	F060620	LAKEEU11 BODY	
2	1	F060212	29MM GREEN LENS	
3	1	F051706	35MM FLUSH MOUNT BEZEL	
4	1	F051707	35MM FLUSH MOUNT RETAINER	
5	1	F050411	NEON 110 VAC GREEN	



TITLE LAKEEU31FGRNGRN

A	18306	RELEASE FOR PRODUCTION	11/17/08	BLR
REV	PCR NO	DESCRIPTION	DATE	BY

SCALE	DATE	DR	DWG	REV
1 : 1	11/17/2008	BLR	XF0773P	A

THE INFORMATION CONTAINED IN THIS DOCUMENT IS PROPRIETARY TO E-SWITCH AND IS NOT TO BE COPIED OR TRANSFERRED