

# IT8500G+ series Programmable DC Electronic Load

## APPLICATIONS

- Battery test
- Charger test
- Lithium battery protection board test
- Component test
- Power supply test
- ATE

*Your Power Testing Solution*

# IT8500G+ series Programmable DC Electronic Load



IT8500G+ series programmable electronic load is not only a desktop power supply, but also suitable for system integration. It is specially designed for fast charging adapters, power banks, industrial power modules, power electronic device R&D and burn-in testing. It not only has the traditional CC/CV/CR/CP load mode, but also provide compound modes such as CR+CC/CV+CC/CR-LED, which are widely applicable to DUTs with different characteristics. So it performs well in limiting current overshoot and dynamic loading. Not only that, the multi-channel mode and ripple measurement mode of IT8500G+ help to reduce test cost and improve test efficiency. Without additional oscilloscope and communication interface, you can easily realize the program control of hundreds of channels.

## FEATURE

- 7 operating modes: : CC/CV/CR/CW/CR+CC/CV+CC/CR-LED
- Built-in voltage and current ripple measurement functions
- Built in 8 fast charging communication protocol, including QC2.0, QC3.0, PE+, PE2.0+, USB PD2.0, USB,PD3.0, FCP, SCP \*1
- Dynamic mode up to 20kHz
- Voltage measurement resolution up to 0.1mV / 0.1mA
- Multi-channel, up to 16 units can be connected
- OCP/OPP, battery discharge mode
- Auto test, LIST mode, short circuit mode
- Measure function, can measure the voltage rise/fall time
- Monitor 0-100% current at 0-10V (I-monitor)
- Built-in USB/LAN communication interface \*2

\*1 Only available with IT8511G+

\*2 150W model with built-in USB interface

| Model     | Parameter |         |       | Accessories              |          |          |
|-----------|-----------|---------|-------|--------------------------|----------|----------|
|           | Voltage   | Current | Power | Fast charge card IT-E164 | USB      | LAN      |
| IT8511G+  | 150V      | 30A     | 150W  | Optional                 | Standard | /        |
| IT8512G+  | 150V      | 30A     | 300W  | /                        | Standard | Standard |
| IT8512BG+ | 600V      | 15A     | 300W  | /                        | Standard | Standard |
| IT8513G+  | 150V      | 120A    | 600W  | /                        | Standard | Standard |
| IT8513BG+ | 600V      | 20A     | 600W  | /                        | Standard | Standard |
| IT8513CG+ | 40V       | 200A    | 600W  | /                        | Standard | Standard |

# Your Power Testing Solution

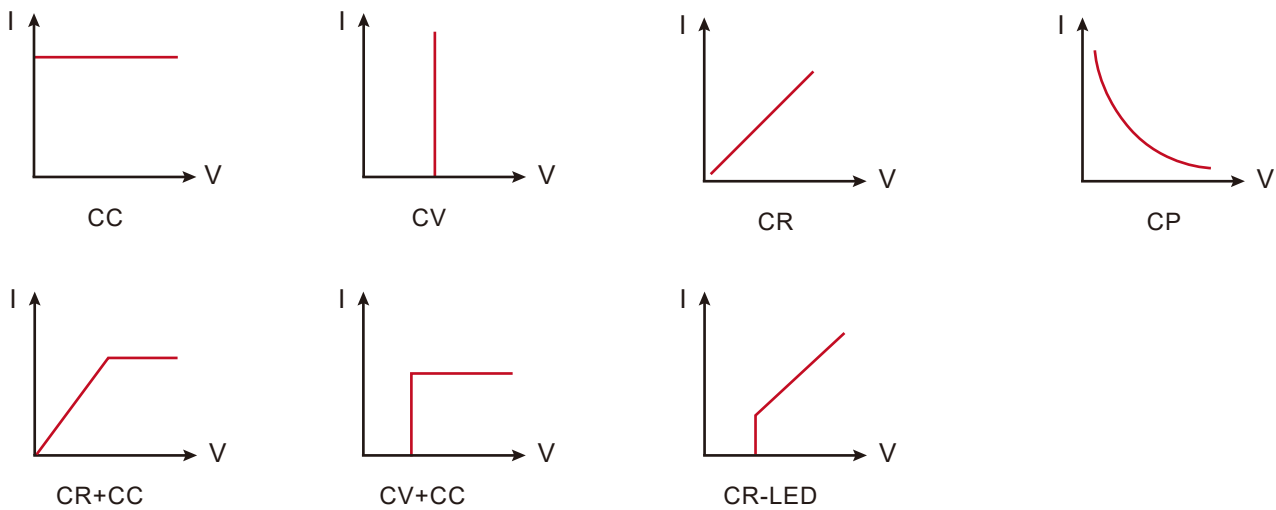
## IT8500G+ series Programmable DC Electronic Load

### Application



Battery test    Lithium battery protection board test    Power bank test    Charger test    Components test    ATE

### 7 working mode



### Voltage/current ripple measurement

Ripple is one of the parameters that must be tested for switching power supplies. Excessive ripple may cause interference to the DUT or shorten the life of the DUT. IT8500G+ has a ripple measurement function, and its measurement bandwidth is up to 300kHz, which meets the ripple measurement requirements of switching power supplies or chargers. At the same time, its remote sense function can help to eliminate the impact caused by the voltage drop on the line. No oscilloscope needed, users can just press the 'down' button on the front panel to read the voltage ripple value ( $V_{p-p}/V_p+/V_{p-}$ ) and current ripple value ( $I_{pp}/I_p+/I_{p-}$ ) of the DUT directly. This greatly simplifies the wiring and operation process.

# Your Power Testing Solution

## IT8500G+ series Programmable DC Electronic Load

### Built-in multiple fast charge protocol

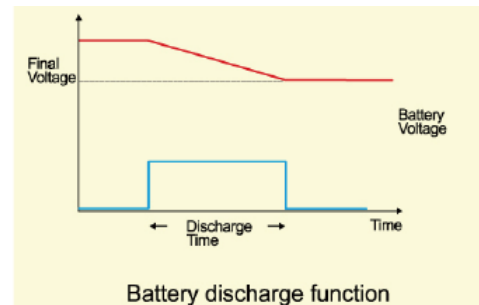
The consumption of battery power is getting faster and faster due to more and more functions generated in mobile phone. Fast charging technology can help to improve user experience under the situation. IT8500G+ has built-in multiple fast charging protocols (QC2.0, QC3.0, PE+, PE2.0+, USB PD2.0, USB PD3.0, F CP, SCP) which can complete the test for adapters with different protocols. Users can quickly choose the charging protocol on the menu. And in automatic test mode, it can realize the performance verification of the fast charging adapter under different charging process, like no-load voltage, short-circuit current, constant voltage and constant current.

\* Only available with IT8511G+



### Battery discharge test

IT8500G+ can perform battery discharge test in CC mode. After selecting the discharge test mode, set the turn off conditions "off voltage", "off capacity" and "discharge time". When any one of the above conditions is met during the test, the discharge stops and the electronic load automatically switches to the OFF state. During the test, the battery voltage, time and battery discharged capacity can be acquired.

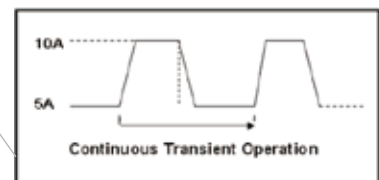


### Dynamic mode

Dynamic testing means that the electronic load can be switched between two set parameters according to the set rules. This function is used to test the dynamic characteristics of power supplies.

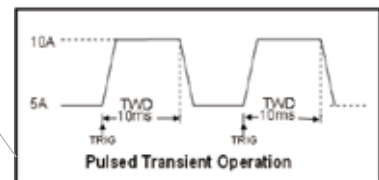
#### ● Continuous transient operation

In the continuous mode, when the dynamic test operation is enabled, it will continuously switch between value A and value B.



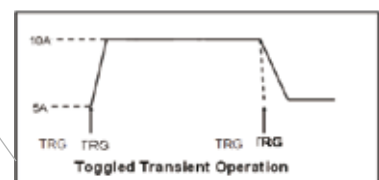
#### ● Pulsed transient operation

In the pulse mode, when the dynamic test operation is enabled, each time a trigger signal is received, it will switch to value B. After maintaining pulse width time B, it will switch back to value A.



#### ● Toggled transient operation

In the toggled transient mode, when the dynamic test operation is enabled, it will switch between value A and value B every time a trigger signal is received.



# Your Power Testing Solution

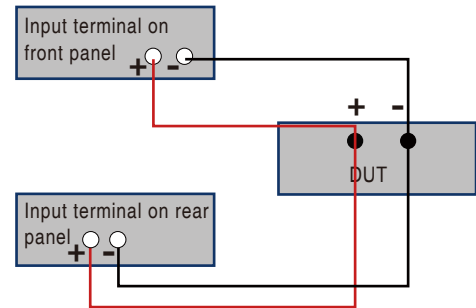
## IT8500G+ series Programmable DC Electronic Load

### OCP/OPP

The IT8500G+ has over-power protection (OPP) and over-current protection (OCP) test function. Take the OPP test mode for example, when the input voltage reaches  $V_{on}$  value, it will delay for a period of time, and then start to work. It will increase by a step value at regular intervals. At the same time, detect and evaluate whether the input voltage of the electronic load is higher than the OPP voltage. If it is, go down and continue to delay increment according to the cut-off power value until it reaches the cut-off power. Judge by voltage value first, and then power value according to the set power value range.

### Remote measurement

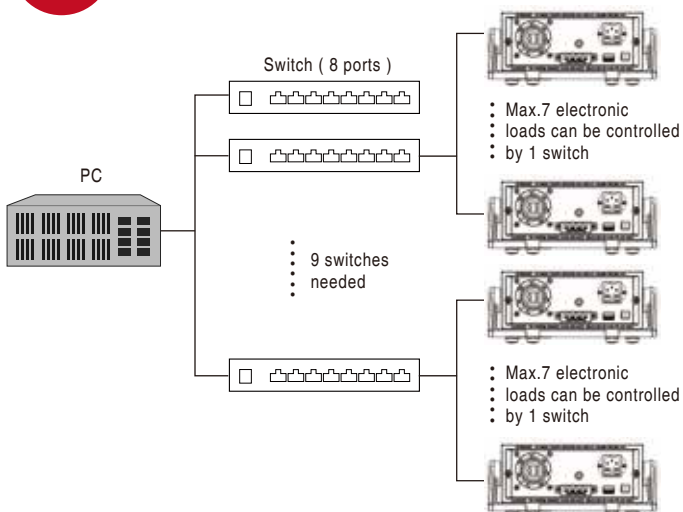
In the CC/CV/CR/CP mode, when the electronic load consumes a large current, a large voltage drop will be generated on the connection line between the DUT and the load terminal. In order to keep the measurement accuracy, the electronic load provides a remote measurement terminal on the rear panel, and the user can use this terminal to measure the output terminal voltage of the DUT.



### Multi-channel

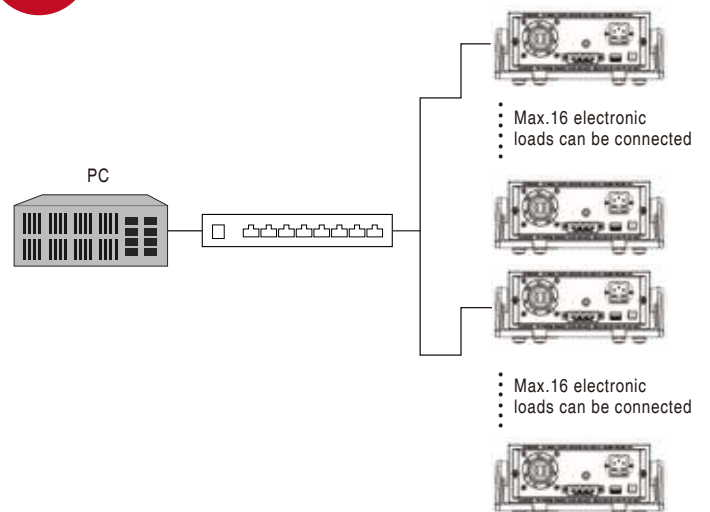
The multi-channel mode of IT8500G+ is specially designed for optimizing system integration. Through this mode, it can easily build hardware platforms with dozens or even hundreds of channels. It simplifies communication connections. There is no need to purchase expensive communication modules or communication interface expansion cards (such as USB hub, multi-serial card or switch), which greatly saves test costs. The multi-channel mode of IT8500G+ allows up to 16 units connections. This means that only one communication line is required to connect to the PC for every 16 electronic loads. Let us take the 60-channel burn-in test as an example, if you use the multi-channel mode of IT8500G+, it can save the cost of 8 expansion switches, which presents you an more efficient ATE solution.

#### Before Traditional ATE integration (60 channels)



**Traditional solution:** To control 60 channels electronic loads, you need extra 9 switches.

#### Now ATE integration with IT8500G+(60channels)



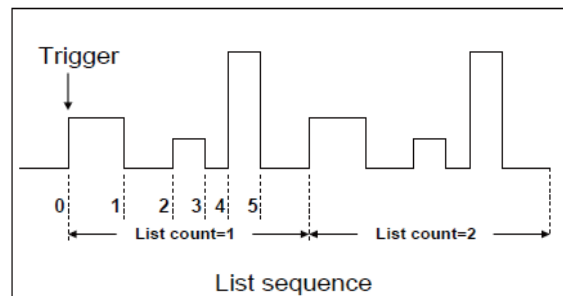
**Solution with IT8500G+:** only 1 switch needed to control 60 channels electronic loads. With multi-channel commands, it can shorten communication time and improve system efficiency.

# Your Power Testing Solution

## IT8500G+ series Programmable DC Electronic Load

### LIST

List mode allows users to generate a complex current sequence. Moreover, the mode change can be synchronized with an internal or external signal, to accomplish dynamic and precise test which can save cost for users. Users can edit step value, pulse width and slope sequence and meet a complex test request. A list file includes following parameters: file name step counts (range 2-84), time width of single step (0.00005s-3600s), step value and slope. The edited list file can be recalled easily. The DC load provides 7 nonvolatile registers to save list files setting for recall later. In the list mode, the load starts to run the list file once receiving a trigger signal, continue to run until end of the operation or receiving another trigger.

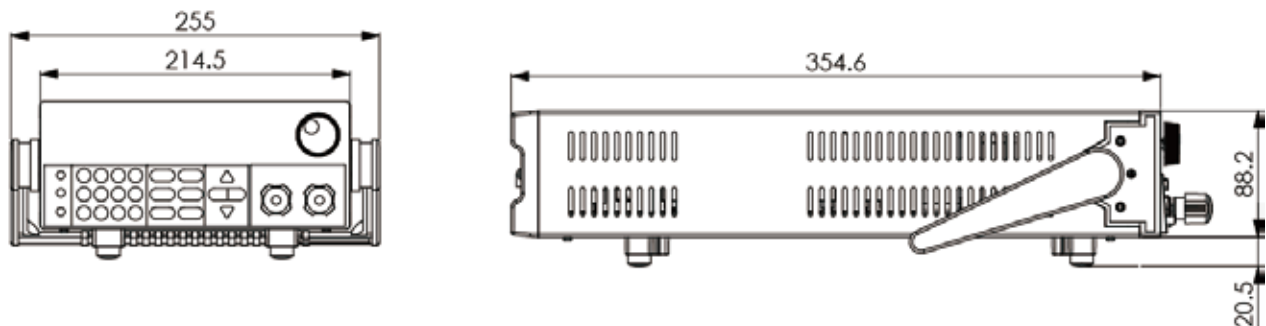


### I Monitor and Measure

To make it easy to monitor the actual current waveform during the test, there is an I-monitor monitoring terminal on the rear panel of IT8500G+. With just an oscilloscope, no need to use expensive current probes, you can monitor the current waveforms. Through the I-Monitor terminal, the electronic load converts the 0-100% full-range current into an analog signal of 0-10V, which can be connected to the oscilloscope to display the real-time current waveform.

In addition, IT8500G+ also provides Measure function. It can quickly measure the voltage rise/fall time of the DUT's power modules. You only need to pre-program the start and end voltages. The measurement time of IT8500G+ is almost as good as that of an oscilloscope.

### Dimension



# Your Power Testing Solution

## IT8500G+ series Programmable DC Electronic Load

### Specification

| Parameter                |                           | IT8511G+             |               |
|--------------------------|---------------------------|----------------------|---------------|
| Rated<br>(0°C-40°C)      | Input Voltage             | 0-150V               |               |
|                          | Input Current             | 0-3A                 | 0-30A         |
|                          | Input Power               | 150W                 |               |
|                          | Mov                       | 0.12V/3A             | 1.2V/30A      |
| CV mode                  | Range                     | 0.1-18V              | 0.1-150V      |
|                          | Resolution                | 1mV                  | 10mV          |
|                          | Accuracy                  | ±(0.05%+0.025%FS)    |               |
| CC mode                  | Range                     | 0-3A                 | 0-30A         |
|                          | Resolution                | 0.1mA                | 1mA           |
|                          | Accuracy                  | ±(0.05%+0.05%FS)     |               |
| CR mode*1                | Range                     | 0.05Ω-10Ω            | 10Ω-7.5KΩ     |
|                          | Resolution                | 16bit                |               |
|                          | Accuracy                  | 0.01%+0.08S *2       | 0.01%+0.0008S |
| CP mode*3                | Range                     | 150W                 |               |
|                          | Resolution                | 10mW                 |               |
|                          | Accuracy                  | 0.1%+0.2%FS          |               |
| Dynamic mode             | Dynamic mode              |                      |               |
|                          | CC mode                   |                      |               |
|                          | T1 & T2                   | 20uS-3600S /Res:1 uS |               |
|                          | Accuracy                  | 2uS±100ppm           |               |
|                          | Up/down slope*4           | 0.0001-0.2A/uS       | 0.001-1.5A/uS |
| Up/down slope*5          | 10uS                      |                      |               |
| Measuring range          |                           |                      |               |
| Voltage Readback         | Range                     | 0-18V                | 0-150V        |
|                          | Resolution                | 0.1 mV               | 1 mV          |
|                          | Accuracy                  | ±(0.025%+0.025%FS)   |               |
| Current Readback         | Range                     | 0-3A                 | 0-30A         |
|                          | Resolution                | 0.1mA                | 1mA           |
|                          | Accuracy                  | ±(0.05%+0.05%FS)     |               |
| Power Readback           | Range                     | 150W                 |               |
|                          | Resolution                | 10mW                 |               |
|                          | Accuracy                  | ±(0.1%+0.2%FS)       |               |
| Protected range          |                           |                      |               |
| OPP                      | ≒160W                     |                      |               |
| OCP                      | ≒3.3A                     |                      | ≒33A          |
| OVP                      | ≒155V                     |                      |               |
| OTP                      | ≒85°C                     |                      |               |
| Specifications           |                           |                      |               |
| Short circuit            | Current (CC)              | ≒3.3/3A              | ≒33/30A       |
|                          | Voltage (CV)              | ≒0V                  |               |
|                          | Power (CR)                | ≒40mΩ                | ≒40mΩ         |
| Input terminal impedance | ≒250kΩ                    |                      |               |
| Dimension                | 214.5mmW*88.2mmH*354.6mmD |                      |               |

\*This information is subject to change without notice

\*1 Voltage/current input value is not less than 10% FS (FS is full range)

\*2 Range of resistance readback value:  $(1/(1/R+(1/R)*0.01%+0.08), 1/(1/R-(1/R)*0.01%-0.08))$

\*3 Voltage/current input value is not less than 10%FS

\*4 Rise/fall slope: 10%-90% current rise slope from 0 to maximum current

\*5 Minimum rise time: 10%-90% current rise time



# Your Power Testing Solution

## IT8500G+ series Programmable DC Electronic Load

### Specification

| Parameter                |                           | IT8512G+            |                    |
|--------------------------|---------------------------|---------------------|--------------------|
| Rated<br>(0°C-40°C)      | Input Voltage             | 0-150V              |                    |
|                          | Input Current             | 0-3A                | 0-30A              |
|                          | Input Power               | 300W                |                    |
|                          | Mov                       | 0.12V/3A            | 1.2V/30A           |
| CV mode                  | Range                     | 0-18V               | 0-150V             |
|                          | Resolution                | 1mV                 | 10mV               |
|                          | Accuracy                  | ±(0.05%+0.02%FS)    | ±(0.05%+0.025%FS)  |
| CC mode                  | Range                     | 0-3A                | 0-30A              |
|                          | Resolution                | 0.1mA               | 1mA                |
|                          | Accuracy                  | ±(0.05%+0.05%FS)    | ±(0.05%+0.05%FS)   |
| CR mode*1                | Range                     | 0.05Ω-10Ω           | 10Ω-7.5KΩ          |
|                          | Resolution                | 16bit               |                    |
|                          | Accuracy                  | 0.01%+0.08S *2      | 0.01%+0.0008S      |
| CP mode*3                | Range                     | 300W                |                    |
|                          | Resolution                | 0.01W               |                    |
|                          | Accuracy                  | 0.1%+0.2%FS         |                    |
| Dynamic mode             |                           |                     |                    |
| Dynamic mode*4           | CC mode                   |                     |                    |
|                          | T1 & T2                   | 20uS-3600S /Res:1us |                    |
|                          | Accuracy                  | 2uS±100ppm          |                    |
|                          | Up/down slope             | 0.0001-0.2A/uS      | 0.001-1.5A/uS      |
|                          | Up/down slope             | 10uS                | 10uS               |
| Measuring range          |                           |                     |                    |
| Voltage Readback         | Range                     | 0-18V               | 0-150V             |
|                          | Resolution                | 0.1mV               | 1mV                |
|                          | Accuracy                  | ±(0.025%+0.025%FS)  | ±(0.025%+0.025%FS) |
| Current Readback         | Range                     | 0-3A                | 0-30A              |
|                          | Resolution                | 0.1mA               | 1mA                |
|                          | Accuracy                  | ±(0.05%+0.05%FS)    | ±(0.05%+0.05%FS)   |
| Power Readback*2         | Range                     | 300W                |                    |
|                          | Resolution                | 0.01W               |                    |
|                          | Accuracy                  | ±(0.1%+0.2%FS)      |                    |
| Protected range          |                           |                     |                    |
| OPP                      | ≒320W                     |                     |                    |
| OCP                      | ≒3.3A                     | ≒33A                |                    |
| OVP                      | ≒160V                     |                     |                    |
| OTP                      | ≒85°C                     |                     |                    |
| Specifications           |                           |                     |                    |
| Short circuit            | Current (CC)              | ≒3.3A               | ≒33A               |
|                          | Voltage (CV)              | ≒0V                 | ≒0V                |
|                          | Power (CR)                | ≒40mΩ               | ≒40mΩ              |
| Input terminal impedance | ≒250KΩ                    |                     |                    |
| Dimension                | 214.5mmW*88.2mmH*354.6mmD |                     |                    |

\*This information is subject to change without notice

\*1 Voltage/current input value is not less than 10% FS (FS is full range)

\*2 Range of resistance readback value:  $(1/(1/R+(1/R)*0.01%+0.08), 1/(1/R-(1/R)*0.01%-0.08))$

\*3 Voltage/current input value is not less than 10%FS

\*4 Loading current is not less than 4%FS\_CCH

Rise/fall slope: 10%-90% current rise slope from 0 to maximum current

Minimum rise time: 10%-90% current rise time



# Your Power Testing Solution

## IT8500G+ series Programmable DC Electronic Load

### Specification

| Parameter                |                           | IT8512BG+           |                    |
|--------------------------|---------------------------|---------------------|--------------------|
| Rated<br>(0°C-40°C)      | Input Voltage             | 0-600V              |                    |
|                          | Input Current             | 0-3A                | 0-15A              |
|                          | Input Power               | 300W                |                    |
|                          | Mov                       | 0.6V/3A             | 3V/15A             |
| CV mode                  | Range                     | 0-60V               | 0-600V             |
|                          | Resolution                | 1mV                 | 10mV               |
|                          | Accuracy                  | ±(0.05%+0.02%FS)    | ±(0.05%+0.025%FS)  |
| CC mode                  | Range                     | 0-3A                | 0-15A              |
|                          | Resolution                | 0.1mA               | 1mA                |
|                          | Accuracy                  | ±(0.05%+0.05%FS)    | ±(0.05%+0.05%FS)   |
| CR mode*1                | Range                     | 0.05Ω-10Ω           | 10Ω-7.5KΩ          |
|                          | Resolution                | 16bit               |                    |
|                          | Accuracy                  | 0.01%+0.08S *2      | 0.01%+0.0008S      |
| CP mode*3                | Range                     | 300W                |                    |
|                          | Resolution                | 0.01W               |                    |
|                          | Accuracy                  | 0.1%+0.2%FS         |                    |
| Dynamic mode             |                           |                     |                    |
| Dynamic mode*4           | CC mode                   |                     |                    |
|                          | T1 & T2                   | 20μS-3600S /Res:1us |                    |
|                          | Accuracy                  | 2μS±100ppm          |                    |
|                          | Up/down slope             | 0.0001-0.2A/μS      | 0.001-0.8A/μS      |
|                          | Up/down slope             | 10μS                | 10μS               |
| Measuring range          |                           |                     |                    |
| Voltage Readback         | Range                     | 0-60V               | 0-600V             |
|                          | Resolution                | 1mV                 | 10mV               |
|                          | Accuracy                  | ±(0.025%+0.025%FS)  | ±(0.025%+0.025%FS) |
| Current Readback         | Range                     | 0-3A                | 0-15A              |
|                          | Resolution                | 0.1mA               | 1mA                |
|                          | Accuracy                  | ±(0.05%+0.05%FS)    | ±(0.05%+0.05%FS)   |
| Power Readback*2         | Range                     | 300W                |                    |
|                          | Resolution                | 0.01W               |                    |
|                          | Accuracy                  | ±(0.1%+0.2%FS)      |                    |
| Protected range          |                           |                     |                    |
| OPP                      | ≒320W                     |                     |                    |
| OCP                      | ≒3.3A                     | ≒16A                |                    |
| OVP                      | ≒630V                     |                     |                    |
| OTP                      | ≒85°C                     |                     |                    |
| Specifications           |                           |                     |                    |
| Short circuit            | Current (CC)              | ≒3.3A               | ≒16A               |
|                          | Voltage (CV)              | ≒0V                 | ≒0V                |
|                          | Power (CR)                | ≒188mΩ              | ≒188mΩ             |
| Input terminal impedance | ≒800KΩ                    |                     |                    |
| Dimension                | 214.5mmW*88.2mmH*354.6mmD |                     |                    |

\*This information is subject to change without notice

\*1 Voltage/current input value is not less than 10% FS (FS is full range)

\*2 Range of resistance readback value:  $(1/(1/R+(1/R)*0.01\%+0.08), 1/(1/R-(1/R)*0.01\%-0.08))$

\*3 Voltage/current input value is not less than 10%FS

\*4 Loading current is not less than 4%FS\_CCH

Rise/fall slope: 10%-90% current rise slope from 0 to maximum current

Minimum rise time: 10%-90% current rise time

# Your Power Testing Solution

## IT8500G+ series Programmable DC Electronic Load

### Specification

| Parameter                |                           | IT8513G+            |                    |
|--------------------------|---------------------------|---------------------|--------------------|
| Rated<br>(0°C-40°C)      | Input Voltage             | 0~150V              |                    |
|                          | Input Current             | 0~12A               | 0~120A             |
|                          | Input Power               | 600W                |                    |
|                          | Mov                       | 0.2V/12A            | 2V/120A            |
| CV mode                  | Range                     | 0~18V               | 0~150V             |
|                          | Resolution                | 1mV                 | 10mV               |
|                          | Accuracy                  | ±(0.05%+0.02%FS)    | ±(0.05%+0.025%FS)  |
| CC mode                  | Range                     | 0~12A               | 0~120A             |
|                          | Resolution                | 1mA                 | 10mA               |
|                          | Accuracy                  | ±(0.05%+0.05%FS)    | ±(0.05%+0.05%FS)   |
| CR mode*1                | Range                     | 0.05Ω~10Ω           | 10Ω~7.5KΩ          |
|                          | Resolution                | 16bit               |                    |
|                          | Accuracy                  | 0.01%+0.08S *2      | 0.01%+0.0008S      |
| CP mode*3                | Range                     | 600W                |                    |
|                          | Resolution                | 0.01W               |                    |
|                          | Accuracy                  | 0.2%+0.2%FS         |                    |
| Dynamic mode             |                           |                     |                    |
| Dynamic mode*4           | CC mode                   |                     |                    |
|                          | T1 & T2                   | 20uS~3600S /Res:1us |                    |
|                          | Accuracy                  | 2uS±100ppm          |                    |
|                          | Up/down slope             | 0.001~0.2A/uS       | 0.01~1.6A/uS       |
|                          | Up/down slope             | 10uS                |                    |
| Measuring range          |                           |                     |                    |
| Voltage Readback         | Range                     | 0~18V               | 0~150V             |
|                          | Resolution                | 0.1mV               | 1mV                |
|                          | Accuracy                  | ±(0.025%+0.025%FS)  | ±(0.025%+0.025%FS) |
| Current Readback         | Range                     | 0~12A               | 0~120A             |
|                          | Resolution                | 1mA                 | 10mA               |
|                          | Accuracy                  | ±(0.05%+0.05%FS)    | ±(0.05%+0.05%FS)   |
| Power Readback*2         | Range                     | 600W                |                    |
|                          | Resolution                | 0.01W               |                    |
|                          | Accuracy                  | ±(0.2%+0.2%FS)      |                    |
| Protected range          |                           |                     |                    |
| OPP                      | ≐ 620W                    |                     |                    |
| OCP                      | ≐ 13A                     | ≐ 130A              |                    |
| OVP                      | ≐ 160V                    |                     |                    |
| OTP                      | ≐ 85°C                    |                     |                    |
| Specifications           |                           |                     |                    |
| Short circuit            | Current (CC)              | ≐ 13A               | ≐ 130A             |
|                          | Voltage (CV)              | ≐ 0V                | ≐ 0V               |
|                          | Power (CR)                | ≐ 15mΩ              | ≐ 15mΩ             |
| Input terminal impedance | ≐ 250KΩ                   |                     |                    |
| Dimension                | 214.5mmW*88.2mmH*354.6mmD |                     |                    |

\*This information is subject to change without notice

\*1 Voltage/current input value is not less than 10% FS (FS is full range)

\*2 Range of resistance readback value:  $(1/(1/R+(1/R)*0.01%+0.08), 1/(1/R-(1/R)*0.01%-0.08))$

\*3 Voltage/current input value is not less than 10%FS

\*4 Loading current is not less than 4%FS\_CCH

Rise/fall slope: 10%~90% current rise slope from 0 to maximum current

Minimum rise time: 10%~90% current rise time

# Your Power Testing Solution

## IT8500G+ series Programmable DC Electronic Load

### Specification

| Parameter                |                           | IT8513BG+            |                           | IT8513CG+            |                  |                      |  |
|--------------------------|---------------------------|----------------------|---------------------------|----------------------|------------------|----------------------|--|
| Rated<br>(0°C~40°C)      | Input Voltage             | 0~600V               |                           | 0~40V                |                  |                      |  |
|                          | Input Current             | 0~3A                 | 0~20A                     | 0~20A                | 0~200A           |                      |  |
|                          | Input Power               | 600W                 |                           | 600W                 |                  |                      |  |
|                          | Mov                       | 0.4V/3A              | 2.4V/20A                  | 0.06V/20A            | 0.6V/200A        |                      |  |
| CV mode                  | Range                     | 0~60V                | 0~600V                    | 0~4V                 | 0~40V            |                      |  |
|                          | Resolution                | 1mV                  | 10mV                      | 0.1mV                | 1mV              |                      |  |
|                          | Accuracy                  | ±(0.05%+0.02%FS)     | ±(0.05%+0.025%FS)         | ±(0.05%+0.1%FS)      | ±(0.05%+0.15%FS) |                      |  |
| CC mode                  | Range                     | 0~3A                 | 0~20A                     | 0~20A                | 0~200A           |                      |  |
|                          | Resolution                | 0.1mA                | 1mA                       | 1mA                  | 10mA             |                      |  |
|                          | Accuracy                  | ±(0.05%+0.05%FS)     | ±(0.05%+0.05%FS)          | ±(0.1%+0.1%FS)       | ±(0.1%+0.15%FS)  |                      |  |
| CR mode*1                | Range                     | 0.05Ω~10Ω            | 10Ω~7.5KΩ                 | 0.01Ω~10Ω            | 10Ω~200Ω         |                      |  |
|                          | Resolution                | 16bit                |                           | 16bit                |                  |                      |  |
|                          | Accuracy                  | 0.01%+0.08S*2        | 0.01%+0.0008S             | 0.01%+0.08S*2        | 0.01%+0.0008S    |                      |  |
| CP mode*3                | Range                     | 600W                 |                           | 600W                 |                  |                      |  |
|                          | Resolution                | 0.01W                |                           | 0.01W                |                  |                      |  |
|                          | Accuracy                  | 0.2%+0.2%FS          |                           | 0.2%+0.5%FS          |                  |                      |  |
| Dynamic mode             |                           |                      |                           |                      |                  |                      |  |
| Dynamic mode*4           | CC 模式                     |                      | CC 模式                     |                      | CC 模式            |                      |  |
|                          | T1 & T2                   | 20uS~3600S / Res:1us |                           | 20uS~3600S / Res:1us |                  | 20uS~3600S / Res:1us |  |
|                          | Accuracy                  | 2uS±100ppm           |                           | 2uS±100ppm           |                  | 2uS±100ppm           |  |
|                          | Up/down slope             | 0.0001~0.2A/us       | 0.001~0.8A/us             | 0.001~0.2A/us        | 0.01~1A/us       |                      |  |
|                          | Up/down slope             | 10uS                 | 10uS                      | 10uS                 | 10uS             |                      |  |
| Measuring range          |                           |                      |                           |                      |                  |                      |  |
| Voltage Readback         | Range                     | 0~60V                | 0~600V                    | 0~4V                 | 0~40V            |                      |  |
|                          | Resolution                | 1mV                  | 10mV                      | 0.1mV                | 1mV              |                      |  |
|                          | Accuracy                  | ±(0.025%+0.025%FS)   | ±(0.025%+0.025%FS)        | ±(0.025%+0.1%FS)     | ±(0.025%+0.1%FS) |                      |  |
| Current Readback         | Range                     | 0~3A                 | 0~20A                     | 0~20A                | 0~200A           |                      |  |
|                          | Resolution                | 0.1mA                | 1mA                       | 1mA                  | 10mA             |                      |  |
|                          | Accuracy                  | ±(0.05%+0.05%FS)     | ±(0.05%+0.05%FS)          | ±(0.1%+0.1%FS)       | ±(0.1%+0.1%FS)   |                      |  |
| Power Readback*2         | Range                     | 600W                 |                           | 600W                 |                  |                      |  |
|                          | Resolution                | 0.01W                |                           | 0.01W                |                  |                      |  |
|                          | Accuracy                  | ±(0.2%+0.2%FS)       |                           | ±(0.2%+0.5%FS)       |                  |                      |  |
| Protected range          |                           |                      |                           |                      |                  |                      |  |
| OPP                      | ≐620W                     |                      | ≐620W                     |                      |                  |                      |  |
| OCP                      | ≐3.3A                     | ≐21A                 | ≐21A                      | ≐210A                |                  |                      |  |
| OVP                      | ≐630V                     |                      | ≐44V                      |                      |                  |                      |  |
| OTP                      | ≐85°C                     |                      | ≐85°C                     |                      |                  |                      |  |
| Specifications           |                           |                      |                           |                      |                  |                      |  |
| Short circuit            | Current (CC)              | ≐3.3A                | ≐21A                      | ≐21A                 | ≐210A            |                      |  |
|                          | Voltage (CV)              | ≐0V                  | ≐0V                       | ≐0V                  | ≐0V              |                      |  |
|                          | Power (CR)                | ≐120mΩ               | ≐120mΩ                    | ≐3mΩ                 | ≐3mΩ             |                      |  |
| Input terminal impedance | ≐800KΩ                    |                      | ≐90KΩ                     |                      |                  |                      |  |
| Dimension                | 214.5mmW*88.2mmH*354.6mmD |                      | 214.5mmW*88.2mmH*354.6mmD |                      |                  |                      |  |

\*This information is subject to change without notice

\*1 Voltage/current input value is not less than 10% FS (FS is full range)

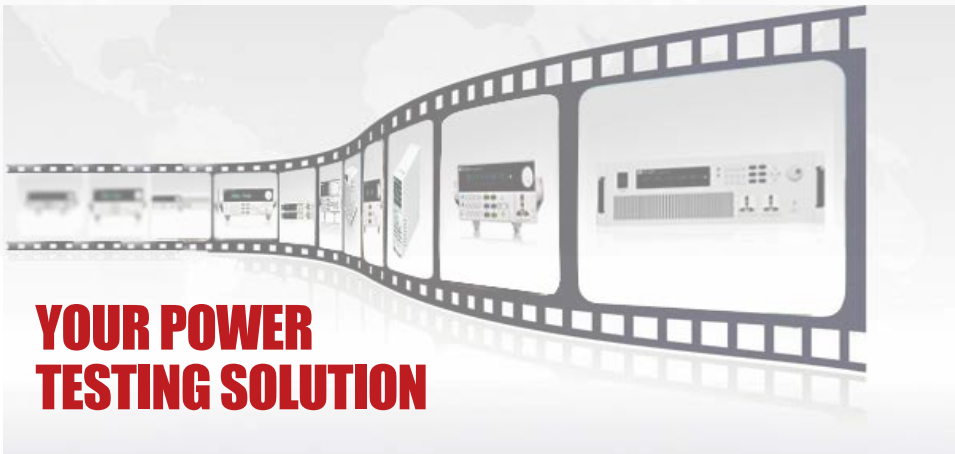
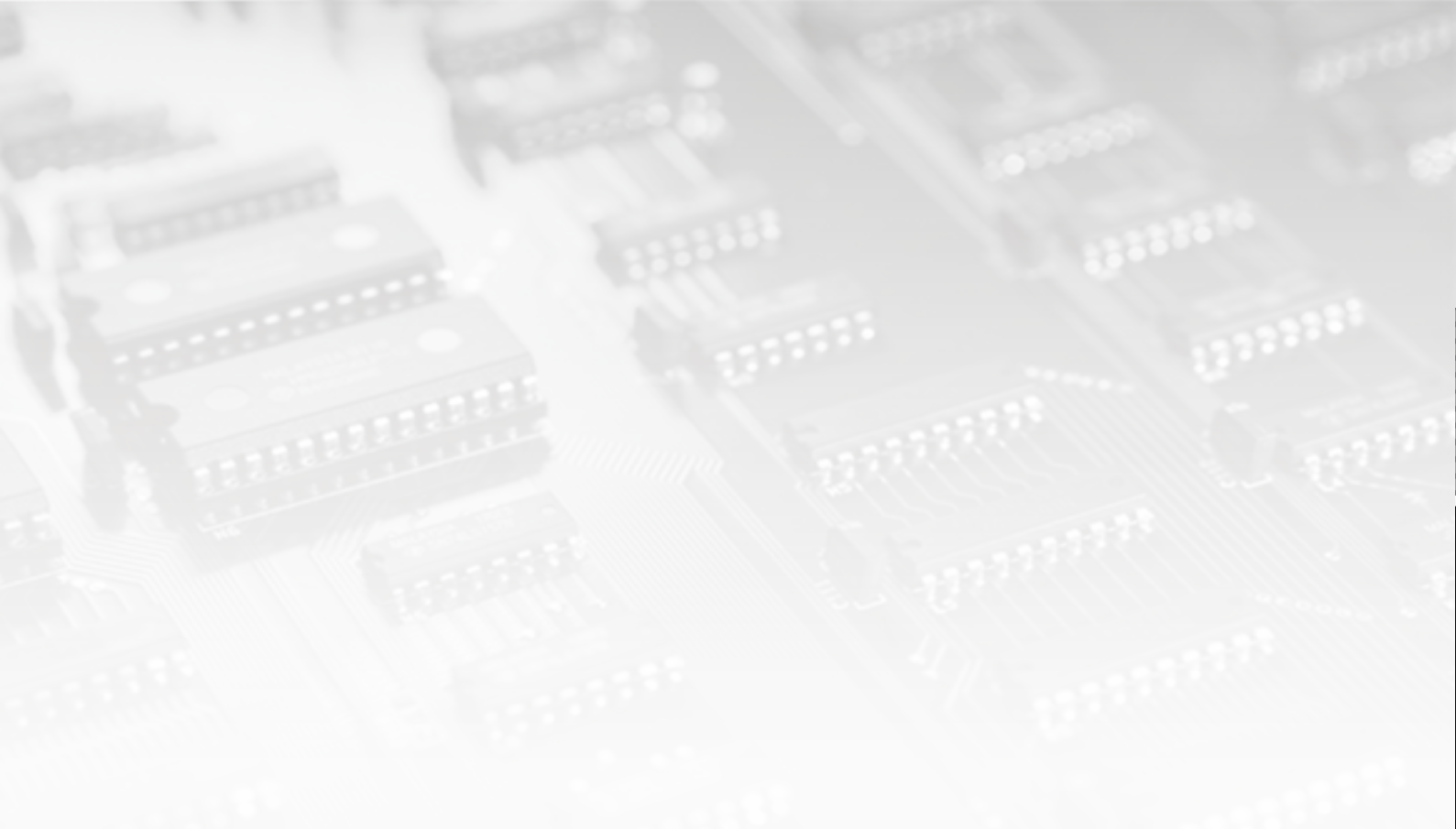
\*2 Range of resistance readback value:  $(1/(1/R+(1/R)*0.01%+0.08), 1/(1/R-(1/R)*0.01%-0.08))$

\*3 Voltage/current input value is not less than 10%FS

\*4 Loading current is not less than 4%FS\_CCH

Rise/fall slope: 10%~90% current rise slope from 0 to maximum current

Minimum rise time: 10%~90% current rise time



This information is subject to change without notice. For more information, please contact ITECH.

### Taipei

Add: No.918, Zhongzheng Rd., Zhonghe Dist., New Taipei City  
235, Taiwan  
Web: [www.itechate.com](http://www.itechate.com)  
TEL: +886-3-6684333  
E-mail: [info@itechate.com](mailto:info@itechate.com)

### Factory I

Add: No.108, XiShanqiao Nanlu, Nanjing city, 210039, China  
TEL: +86-25-52415098  
Web: [www.itechate.com](http://www.itechate.com)

### Factory II

Add: No.150, Yaonanlu, Meishan Cun, Nanjing city, 210039, China  
TEL: +86-25-52415099  
Web: [www.itechate.com](http://www.itechate.com)



ITECH Web



ITECH Facebook



ITECH LinkedIn