

NO: REL-137
DATE: June 2013

PRODUCT: G5LE-G Power PCB Relay
TYPE: Product **DISCONTINUATION**

G5LE-G Power PCB Relays to be DISCONTINUED
December 30, 2013

Based upon a diminishing demand for the G5LE-G series relay, OMRON will discontinue this model at the end of the year. With its improved production efficiencies, the standard G5LE model will be the recommended replacement. The standard model is **not** a direct replacement, however, so please carefully read through and note the differences. The following details will fully explain the discontinuation and replacement considerations; should you have any additional questions, however, please communicate with Product Manager, Mr. Jason Lipps.

Product Discontinuation

Power PCB Relay

Model G5LE-G



Recommended Replacement

Power PCB Relay

Model G5LE

Discontinuation date

End of December, 2013

LAST Order date

September 29, 2013

Caution on recommended replacement:

Although not a drop-in replacement, we recommend the standard G5LE model which has closely rated performance specifications.

G5LE Differences from discontinued product:


Recommended replacement Model	Body Color	Dimen -sions	Wire connection	Mounting Dimensions	Charact -eristics	Operation ratings	Operation methods
G5LE	**	**	**	**	*	--	--

- ** : Compatible
- * : The change is a little/Almost compatible
- : Not compatible
- : No corresponding specification


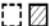
Discontinued product and recommended replacement:

Discontinued product	Recommended replacement
G5LE-1A-G DC5 BY OMB	G5LE-1A DC5 BY OMB
G5LE-1A-G DC9 BY OMB	G5LE-1A DC9 BY OMB
G5LE-1A-G DC12 BY OMB	G5LE-1A DC12 BY OMB
G5LE-1A-G DC20 BY OMB	G5LE-1A DC20 BY OMB
G5LE-1A-G DC24 BY OMB	G5LE-1A DC24 BY OMB
G5LE-1-G DC5 BY OMB	G5LE-1 DC5 BY OMB
G5LE-1-G DC9 BY OMB	G5LE-1 DC9 BY OMB
G5LE-1-G DC12 BY OMB	G5LE-1 DC12 BY OMB
G5LE-1-G DC20 BY OMB	G5LE-1 DC20 BY OMB
G5LE-1-G DC24 BY OMB	G5LE-1 DC24 BY OMB

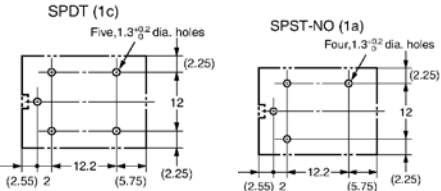

Body color:

Discontinued product Model G5LE-G	Recommended replacement Model G5LE
Black 	Same as on the left

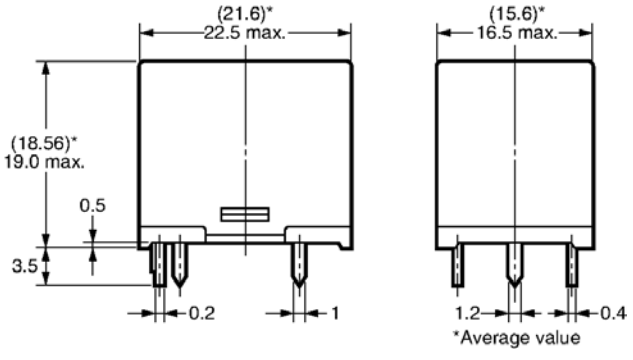
Wire connection:

Discontinued product Model G5LE-G	Recommended replacement Model G5LE
<p>Contact configuration and indication of operation</p> <p>SPDT (1c) SPST-NO (1a)</p>  <p>Note. Orientation marks are indicated as follows: </p> <p>(BOTTOM VIEW)</p>	<p>Contact configuration and indication of operation</p> <p>Same as on the left</p>

Mounting dimensions:

Discontinued product Model G5LE-G	Recommended replacement Model G5LE
<p>Mounting Holes</p>  <p>(Indicates average dimensions.) Note. Orientation marks are indicated as follows: </p> <p>(BOTTOM VIEW)</p>	<p>Mounting Holes</p> <p>Same as on the left</p>

Dimensions:

Discontinued product Model G5LE-G	Recommended replacement Model G5LE
 <p>(Indicates average dimensions.)</p>	<p>Same as on the left</p>

Characteristics, Operation ratings, and Operation method:

Item	Discontinued product Model G5LE-G	Recommended replacement Model G5LE
■ Characteristics		
Contact resistance	100mΩ max.	100mΩ max.
Operate time	10ms max.	10ms max.
Release time	5ms max	5ms max
Bounce time	Operate: Approx. 0.6ms Release: Approx. 7.2ms	Operate: Approx. 0.6ms Release: Approx. 7.2ms
Max. switching frequency	Mechanical: 18,000 operations./hr	Mechanical: 18,000 operations./hr Electrical: 1,800 operations./hr (under rated load)
Insulation resistance	100 MΩ min. (at 500 VDC)	100 MΩ min. (at 500 VDC)
Dielectric strength	1500VAC, 50/60Hz for 1min. between contacts of same polarity 2,000 VAC 50/60Hz for 1min. between coil and contacts.	750VAC , 50/60Hz for 1min. between contacts of same polarity 2,000 VAC 50/60Hz for 1min. between coil and contacts.
Impulse withstand voltage	4,500V between coil and contacts, 1.2X50μsec	4,500V between coil and contacts
Vibration resistance	Destruction: 10 to 55 Hz, 1.5 mm double amplitude Malfunction: 10 to 55 Hz, 1.5 mm double amplitude	Destruction: 10 to 55 Hz, 1.5 mm double amplitude Malfunction: 10 to 55 Hz, 1.5 mm double amplitude
Shock resistance	Destruction: 1,000 m/s ² (approx. 100G) Malfunction: 100 m/s ² (approx. 10G)	Destruction: 1,000 m/s ² (approx. 100G) Malfunction: 100 m/s ² (approx. 10G)
Life expectancy	Mechanical: 10,000,000 operations min. (at 18,000 operations/hr)	Mechanical: 10,000,000 operations min. (at 18,000 operations/hr) Electrical: 100,000 operations min. (at 1,800 operations/hr)
Ambient temperature	Operating: -40°C to 85°C	Operating: -40°C to 85°C (-13°F to 185°F)
Ambient humidity	Operating: 35% to 85%	Operating: 35% to 85%
Weight	Approx. 12g	Approx. 12g (0.42 oz)

Note; Values in the above table are the initial values.		
■ Approved Standards	UL: File No.E41643 CSA: File No.LR31928 VDE Reg. No.6850	UL: File No.E41643 CSA: File No.LR31928 VDE Reg. No.6850 TÜV: File No.R50158258
■ Ratings ● Contact Ratings		
Load	Resistive load (cos φ=1)	Resistive load (cos φ=1)
Rated load	10A at 35VDC	10A at 120VAC; 8A at 30VDC
Rated carry current	10A	10A
Max. switching voltage	35VDC	250VAC, 125VDC
Max. switching current	DC:10A	AC:10A DC:8A
Max. switching capacity	350W	1,200VA, 240W
MIN. permissible load	100mA at 5VDC	100mA at 5VDC

■ Ratings
● Coil Ratings

Product discontinuation G5LE-G

700-mW Type (G5LE-G)

Rated voltage	9 VDC	12 VDC	20 VDC	24 VDC
Rated current	77.8 mA	58.3 mA	35.0 mA	29.2 mA
Coil resistance	115.7 Ω	205.7 Ω	571.4 Ω	822.9 Ω
Must operate voltage	75% of rated voltage (max.)			
Must release voltage	10% of rated voltage (min.)			
Max. voltage	120% of rated voltage at 85°C, 150% of rated voltage at 23°C			
Power consumption	Approx. 700 mW			

Note: The rated current and coil resistance are measured at a coil temperature of 23°C with a tolerance of ±10%.

Recommendable replacement G5LE

Rated voltage	3 VDC	5 VDC	6 VDC	9 VDC	12 VDC	24 VDC	48 VDC
Rated current	136.4 mA	79.4 mA	66.7 mA	45 mA	33.3 mA	16.7 mA	8.33 mA
Coil resistance	22.5 Ω	63 Ω	90 Ω	200 Ω	360 Ω	1,440 Ω	5,760 Ω
Must operate voltage	75% of rated voltage (max.)						
Must release voltage	10% of rated voltage (min.)						
Max. voltage	130% of rated voltage at 70°C (158°F), 170% of rated voltage at 23°C (73°F)						
Power consumption	Approx. 400 mW						

- Note:
1. The rated current and coil resistance are measured at a coil temperature of 23°C (73°F) with a tolerance of ±10%.
 2. 360 mW coil is available. Contact Omron for details.
 3. VDE approved model available. Contact Omron for details.

* Sales teams should communicate this discontinuation with their OEM's and CEM's. For further technical support and any questions, please communicate with Product Marketing.