

TUNING FORK CRYSTAL IN SMD 3.2x1.5MM CERAMIC SEAM SEAL PACKAGE.
PRODUCT FEATURES

- Small dimensions 3.2x1.5x0.8mm with 2 solder pads.
- Highly reliable vacuum seam sealed ceramic package.
- Tight tolerances available.
- RoHS compliant, LEAD-FREE and HALOGEN-FREE.

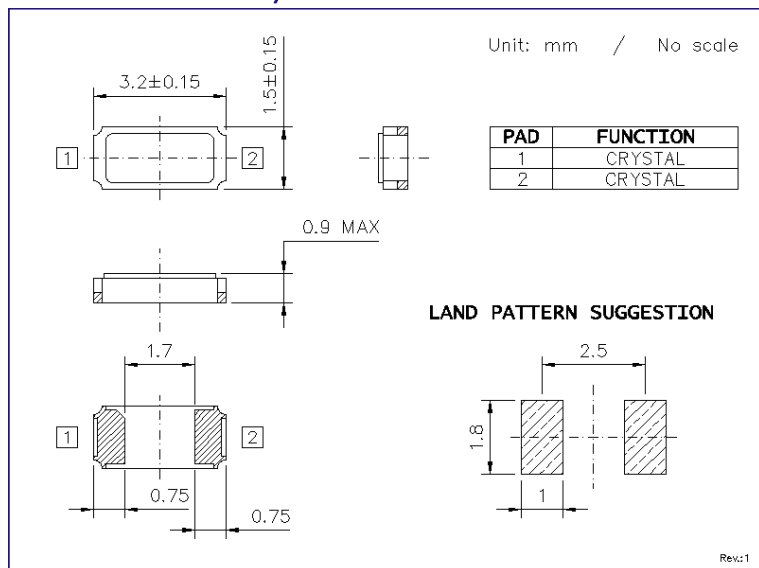
APPLICATIONS

- Mobil communication
- Handheld equipment

PRODUCT PHOTO (NOT IN SCALE)

PRODUCT SPECIFICATIONS

PARAMETER	FC31M2	CONDITIONS / REMARKS
Nominal frequency range	32.768kHz	
Crystal mode	Fundamental	
Frequency tolerance	±20ppm / ±30ppm / ±50ppm	Other options available.
Stability over temperature	-0.03±0.01ppm/Δ°C ²	Parabolic coefficient.
Operating temperature range	-40 to +85°C	Other options available.
Turning point temperature	25±5°C	
Equivalent series resistance	<70kΩ	
Shunt capacitance (TYP)	1.5pF	
Motional capacitance (TYP)	3.3fF	
Load capacitance	6pF / 9pF / 12.5pF	Please specify.
Drive level	0.1μW TYP / 0.5μW MAX	
Aging per year	±3ppm	At +25°C
Storage temperature range	-55 to +125°C	

PACKAGE OUTLINE / DIMENSIONS

PACKAGING INFORMATION

- Tape & Reel compliant to EIA-481.
- Embossed carrier width 12mm.
- Component pitch in carrier 4mm.
- Reel diameter 180mm.
- QTY per reel: 3,000pcs MAX.

RECOMMENDED REFLOW PROFILE
