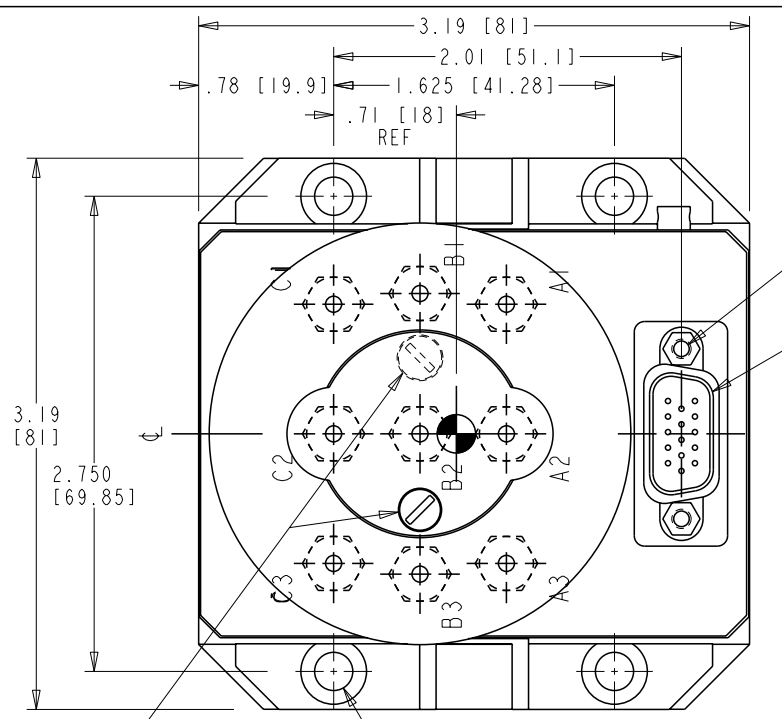
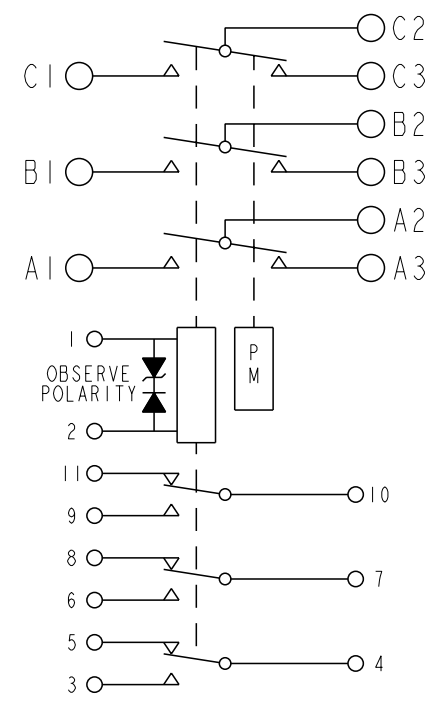


REVISIONS		DESCRIPTION	RELEASED DATE	APPROVED
REV. A		RELEASED TO PROD. FROM REV 6	17APR2015	RSS
B	17-015097	ADDED NOTE 4	13OCT2017	DSH



4-40 UNC-2B
FOR CONNECTOR RETENTION

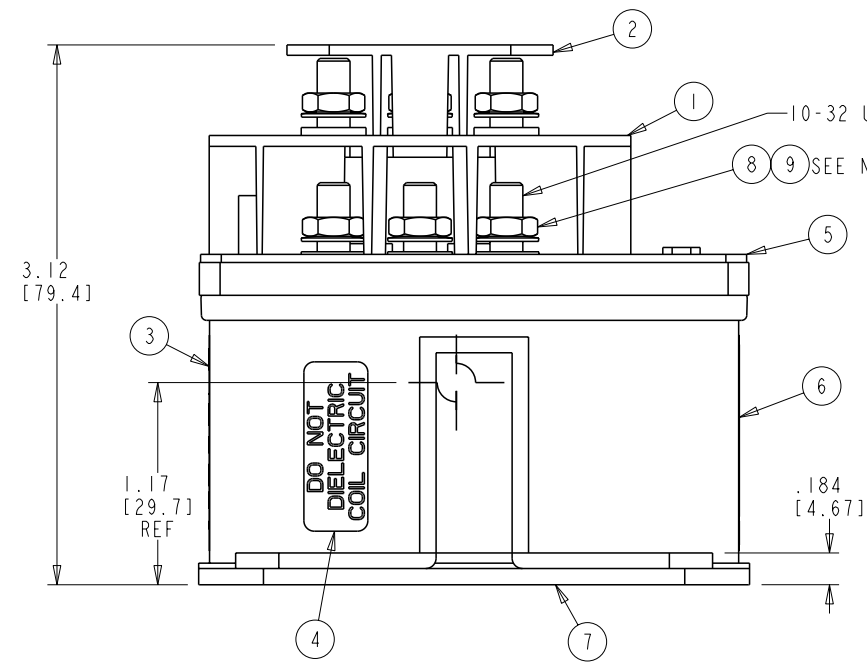
MATES WITH MS24308/2-11



- NOTES:
1. INSTALLATION TORQUE: 24 IN-LB
 2. THREADED TERMINALS ARE SILVER PLATED, ASTM B700, TYPE II, GRADE D SEMI BRIGHT, CLASS N
 3. CONNECTOR FINISH TO BE ZINC PLATE, YELLOW CHROMATE
 4. INSTALLATION TORQUE: 5 IN-LB

SEE NOTE 4

$\varnothing .218 \pm .005$
[5.54], 4 HOLES



10-32 UNF-2A, 9 STUDS

SEE NOTE 1

FIND NO	QTY RECD	PART OR IDENTIFYING NO	NOMENCLATURE OR DESCRIPTION	DRAWING OR SPECIFICATION	FSC NO	TE PART NO	MATERIAL OR NOTE
9	9	51810-140	BELLVILLE #10 WASHER			1-1616921-8	
8	9	50410-054	NUT - 10-32 X 5/16 X 7/64 HEX.			9-1616338-5	BRASS
7	1	48316-010	CONTACTOR PRIMARY ASSY			2-1616986-1	
6	1	48314-001	PLATE - SCHEMATIC DIAGRAM			1-1616986-9	
5	1	30966-006	PLATE - BASE COVER			1-1616986-1	
4	1	25695-001	PLATE - WARNING			2-1616209-6	
3	1	16043-138	NAMEPLATE			1-1616986-7	
2	1	15553-010	TERMINAL SHIELD ASSEMBLY			1-1616986-0	
1	1	15549-020	TERMINAL SHIELD ASSY			6-1616986-0	

DIMENSIONS: INCHES [mm] TOLERANCES UNLESS OTHERWISE SPECIFIED 2 PL DEC. 13 PL DEC. ANGLES $\pm .06$ $\pm .010$ $\pm 1^\circ$		GE APMS DR BY DKN 11-11-07 CHK BY MDM 15-04-24 ENGR RSS 15-04-24 MFG DWA 15-04-23	Hartman Division 175 N. DIAMOND STREET MANSFIELD, OHIO 44902
		SIZE A CODE IDENT 74063	CONTACTOR - 3PDT SIDESTABLE 60 AMP
		SCALE NONE SHEET 1 OF 2	DWG NO. D7BE REF TE PN 2-1616986-2

D7BE

REV.
B

REVISIONS		RELEASED	
REV.	DESCRIPTION	DATE	APPROVED
	SEE SHEET 1	15-04-24	MDM

CONSTRUCTION	GASKET SEALED, VENTED
MAIN CONTACTS	
CONFIGURATION	3PDT SIDESTABLE
VOLTAGE, NOMINAL	115/200 V 400 HZ
CURRENT, RESISTIVE	60 AMP
CURRENT RUPTURE	500 AMP
CURRENT, OVERLOAD	480 AMP
VOLTAGE DROP	.150 V MAX
BOUNCE	.005 SEC AT 28 VDC, 25°C
SIMULTANEOUS TIMING	.010 SEC AT 28 VDC, 25°C
AUXILIARY CONTACTS	
CONFIGURATION	3PDT
VOLTAGE	28 VDC
CURRENT, RESISTIVE	5 AMP
MAX INDUCTIVE CURRENT	1 AMP
DIELECTRIC WITHSTAND	1000 VOLTS RMS
BOUNCE	.005 SEC AT 28 VDC, 25°C
SIMULTANEOUS TIMING	.010 SEC AT 28 VDC, 25°C
COIL DATA	
DUTY CYCLE	CONTINUOUS
MAX PICKUP VOLTAGE	18 VDC
MAX OPERATE VOLTAGE	32 VDC
DROPOUT VOLTAGE	1.0 TO 7.0 VDC
MAX COIL CURRENT	.350 AMP
MAX PICKUP TIME	.1 SEC
MIN PICKUP TIME	.02 SEC
MAX DROPOUT TIME	.015 SEC
MIN DROPOUT TIME	.005 SEC
SUPPRESSION	#42 VOLTS
ENVIRONMENTAL DATA	
GND SURVIVABILITY TEMP	-55°C TO +85°C
NOMINAL OPERATING TEMP	-40°C TO +55°C
OPERATING ALTITUDE	55,000 FT
MAX DECOMPRESSION	51,000 FT
RELIABILITY	
ELECTRICAL LIFE	50,000 CYCLES MIN
MECHANICAL LIFE	100,000 CYCLES MIN
WEIGHT	.94 LB MAX

STEHartmanTM Division 175 N. DIAMOND STREET MANSFIELD, OHIO 44902CONTACTOR - 3PDT
SIDESTABLE 60 AMP

SIZE	CODE IDENT
A	74063
SCALE NONE	SHEET 2 OF 2

 DWG NO.	D7BE
REF TE PN	2-1616986-2