

PART NO.	A54000-031	REV	ECO	DATE	APP
		G	100650	06-17-14	TLM

# MATERIAL & SPECIFICATIONS

**HOUSING:**  
ALUMINIUM 6061-T6,  
NICKEL PLATE PER SAE-  
AMS-2404.

**INSULATOR:**  
THERMOPLASTIC PER  
MIL-DTL-32139.

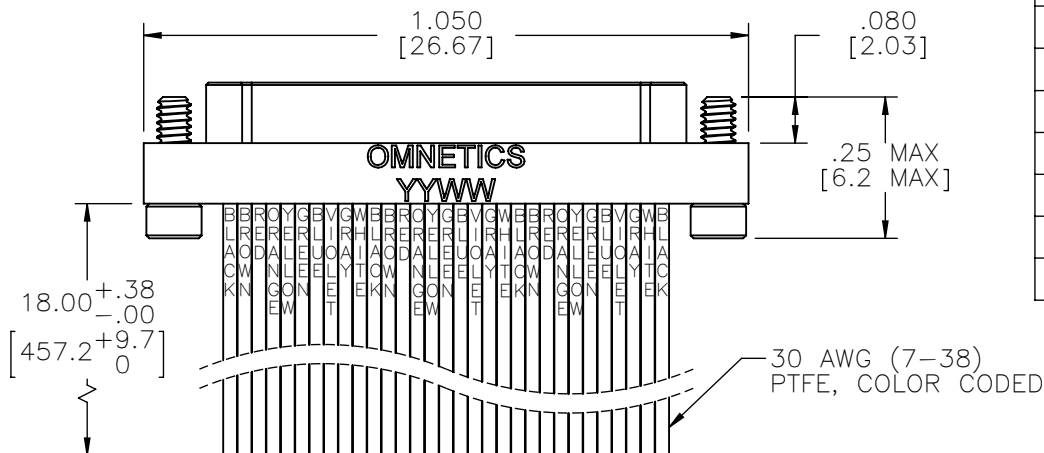
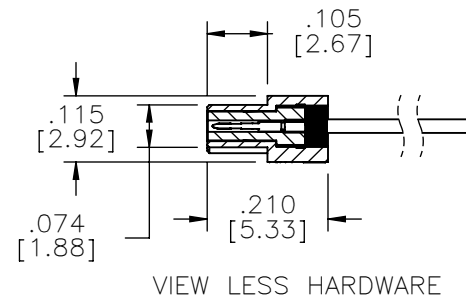
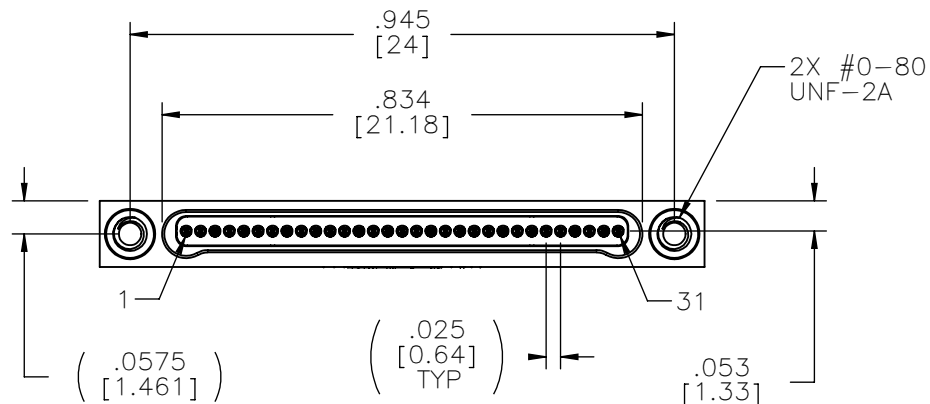
**CONTACT:**  
BERYLLIUM COPPER PER  
ASTM B194, C17200,  
GOLD PLATED PER ASTM  
B488, (HARD GOLD) TYPE  
II CODE C, CLASS 1.27.

**WIRE:**  
NEMA HP3 TYPE ET,  
COLOR CODED IAW MIL-  
STD-681, SYSTEM 1,  
USING TEN SOLID  
REPEATING COLORS.

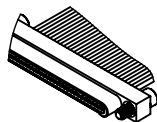
**HARDWARE:**  
303 STAINLESS STEEL  
PER ASTM 582.

**CURRENT RATING:**  
1 AMP MAX PER MIL-  
DTL-32139.

**PERFORMANCE:**  
PRODUCT FAMILY TESTED  
TO AND PASSED THE  
PERFORMANCE  
SPECIFICATIONS OF TABLE  
VIII OF MIL-DTL-32139.



PIN #	COLOR
1, 11, 21, 31	BLACK
2, 12, 22	BROWN
3, 13, 23	RED
4, 14, 24	ORANGE
5, 15, 25	YELLOW
6, 16, 26	GREEN
7, 17, 27	BLUE
8, 18, 28	VIOLET
9, 19, 29	GRAY
10, 20, 30	WHITE



ACTUAL SIZE  
EXCLUDING WIRE LENGTH

NOTE:

DIMENSIONS IN [ ] ARE IN MILLIMETERS UNLESS OTHERWISE NOTED AND ARE FOR REFERENCE ONLY

MBPS SLDW	THIRD ANGLE
	-TOLERANCES-
	UNLESS OTHERWISE NOTED
	DIMENSIONS IN INCHES
2	PL DEC ± .01
3	PL DEC ± .005
4	PL DEC ± .0005
	ANGLES ± 1°

THIS DRAWING CONTAINS CONFIDENTIAL AND PROPRIETARY INFORMATION WHICH IS THE PROPERTY OF OMNETICS CONNECTOR CORP. THIS DOCUMENT MAY NOT, IN WHOLE OR IN PART, BE DUPLICATED, OR DISCLOSED FOR ANY PURPOSE, WITHOUT WRITTEN PERMISSION FROM OMNETICS CONNECTOR CORP.	
DFTM. JMJ	DATE 03-31-11
CHK'D.	DATE
APP'D.	DATE
TITLE: (31) PIN MALE Bi-Lobe® CONNECTOR	

**OMNETICS**  
CONNECTOR CORPORATION  
7260 COMMERCE CIRCLE EAST  
MINNEAPOLIS, MN 55432  
WWW.OMNETICS.COM

CAGE CODE 61873
DWG NO. A54000-031
SHEET 1 OF 1
SCALE: 3:1
REV G