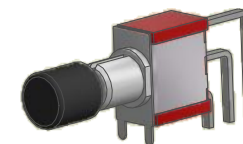
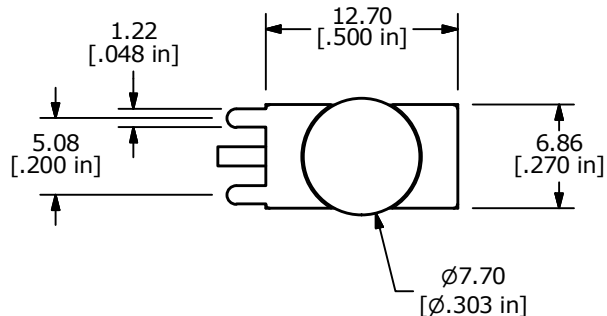
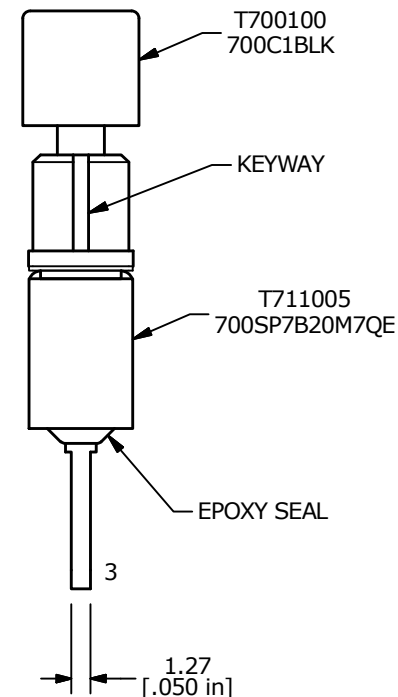
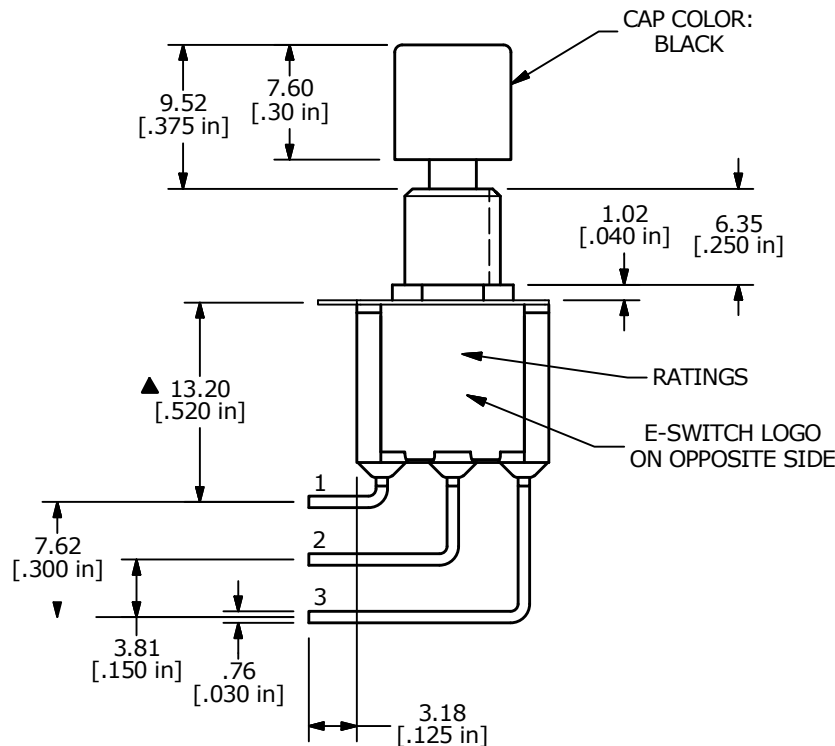
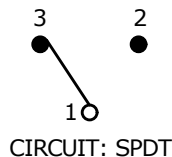


P.C.B. LAYOUT



SWITCH FUNCTION	
POS. 1	POS. 2
ON	(ON)
1-3	1-2
(ON)=MOMENTARY	



- NOTE:
1. ALL DIMENSIONS IN MM [INCH]
 2. GENERAL TOLERANCE: X.X=±0.4
X.XX=±0.25
 3. TERMINAL NUMBERS FOR REF ONLY
 4. CONTACT MATERIAL: SILVER
 5. RATING: 1A @250VAC
3A @120VAC or 28VDC
 6. ELECTRIC LIFE: 50,000 MAKE-AND-BREAK CYCLES AT FULL LOAD
 7. INSULATION RESISTANCE: 1,000 MEGA-OHM MIN.
 8. DIELECTRIC STRENGTH: 1,000 V RMS @ SEA LEVEL.
 9. OPERATING TEMP.: -30°C to 85°C
 10. ▲ DENOTES CRITICAL PARAMETER.



B	23697	updated and redrawn	12/6/18	MW
A	13861	RELEASED FOR PRODUCTION	3/24/04	AR
REV	PCR NO	DESCRIPTION	DATE	BY

TITLE 700SP7B20M7QEC1BLK				
SCALE	DATE	DR	DWG	REV
2:1	12/6/2018	MW	XT0124P	B

THE INFORMATION CONTAINED IN THIS DOCUMENT IS PROPRIETARY TO E-SWITCH AND IS NOT TO BE COPIED OR TRANSFERRED