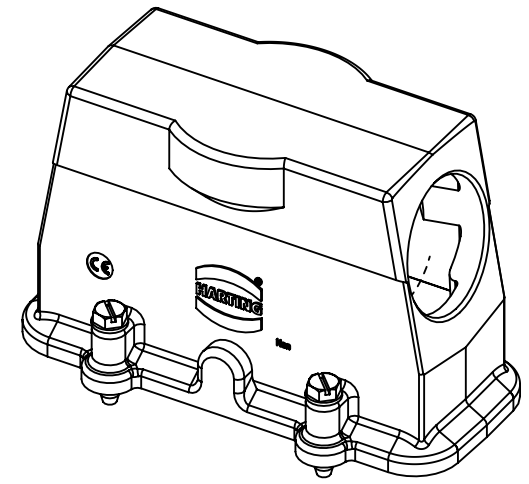
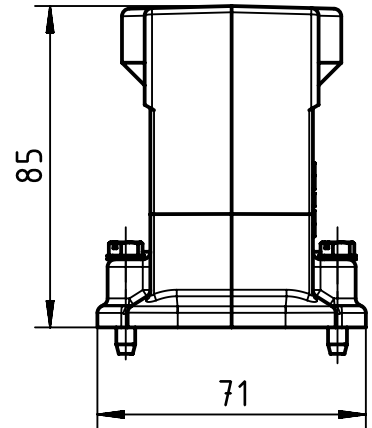
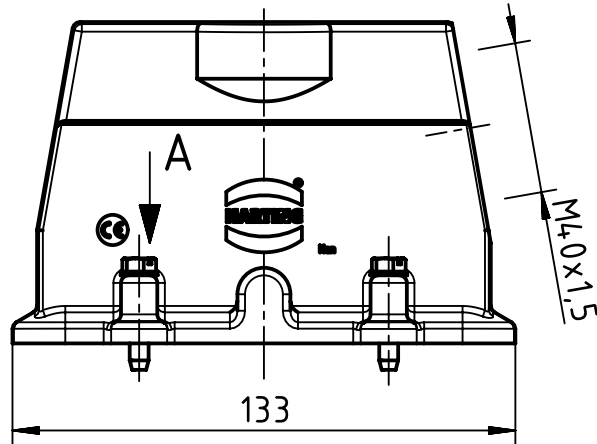
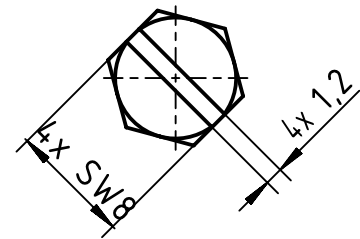



1 2 3 4 5 6

A
B
C
D



A (2:1)



	All rights reserved Department EL PD	All Dimensions in mm Original Size DIN A4	Scale 1:2	Free size tol.		Ref.
		Created by 100887	Inspected by GERB	Standardisation 302077	Date 2021-04-28	State Final Release
HARTING D-32339 Espelkamp		Title Han 24HP-HSE-M40			Doc-Key / ECM-Nr. 100757210/UGD/001/C 500000193954	
		Type TB	Number 19 39 024 0528		Rev. C	Page 1/1