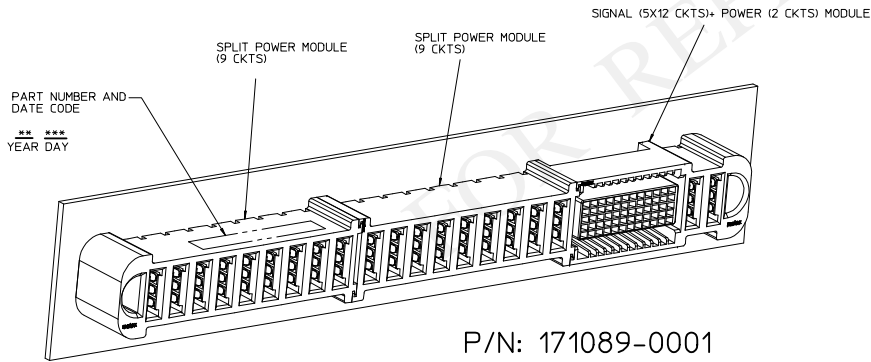
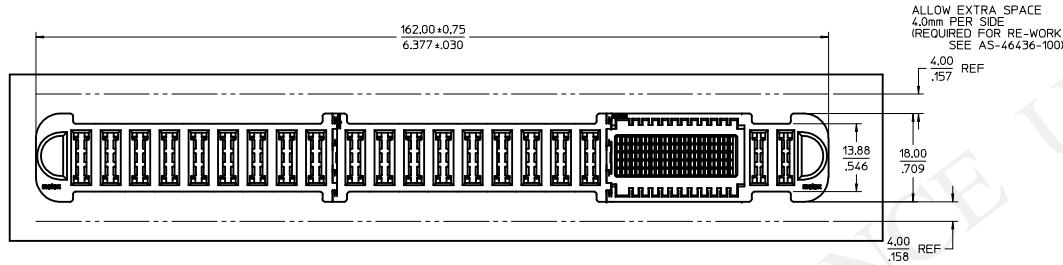
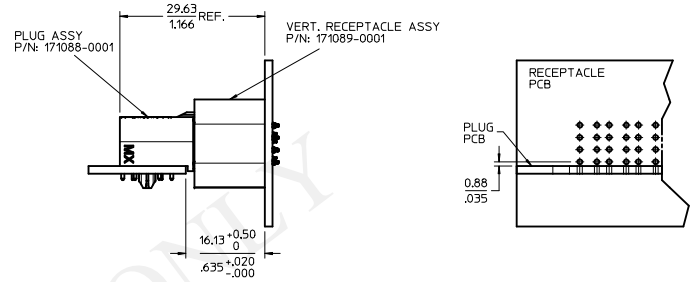
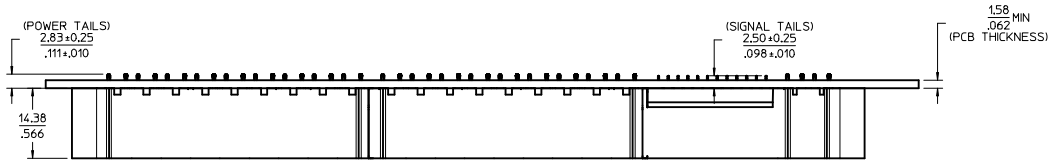
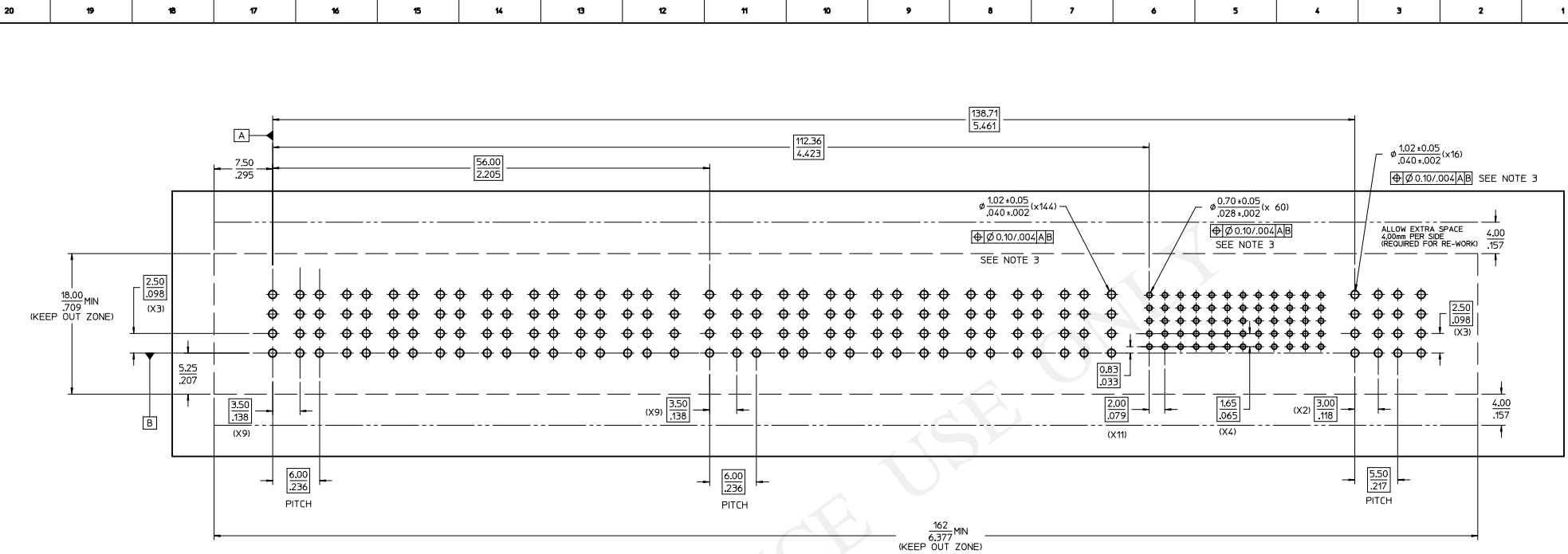


3D MODEL NO: TM-171088-0001



- NOTES:
- MATERIAL:
 - HOUSINGS: LCP UL94, V-0, COLOR: BLACK.
 - TERMINALS: COPPER ALLOY.
 - PLATING: 1.27 MICROMETER (50 MICROINCH) NICKEL OVERALL WITH 25.4 MICROMETER (100 MICROINCH) SELECTIVE TIN ON TAILS AND 0.762 MICROMETER (30 MICROINCH) SELECTIVE GOLD ON CONTACT AREA
 - PACKAGING: ASSEMBLIES TO BE TRAY PACKED PER PACKAGING SPEC PK-171089-0001
 - PLATED THRU HOLE SIZE REFERS TO PS-171088-0000 FOR DETAILS
 - PRODUCT SPEC: PS-171088-0000
 - APPLICATION SPEC: AS-46436-100
 - SEE PRODUCT SPEC FOR RoHS REQUIREMENTS
 - ASSEMBLY MATES TO MOLEX PLUG ASSEMBLY P/N 171088-0001
 - TAIL DESIGN: COMPLIANT PIN
 - POWER AND SIGNAL CONTACTS ARE LUBRICATED.

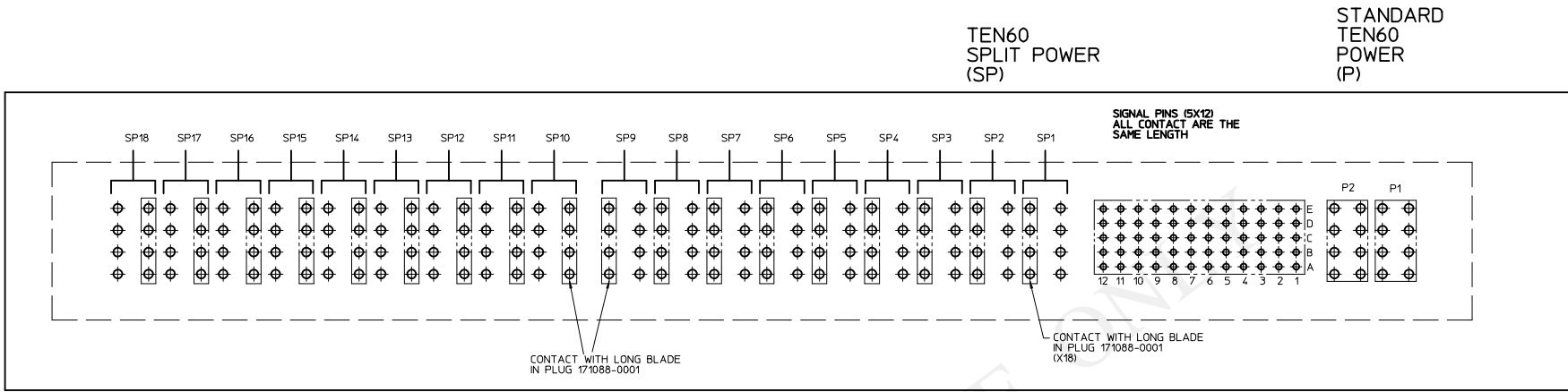
REVISE NOTE IEC NO. UCF2016-1405 DRAWN: JUILLES 2015/09/30 CHECKED: LIN 2015/09/30 APPR: JUILLES 2015/09/30 REV DESCRIPTION	QUALITY SYMBOLS ▽=0 ▽=0 ▽=0		GENERAL TOLERANCES (UNLESS SPECIFIED) mm INCH 4 PLACES ± --- ± --- 3 PLACES ± --- ± .010 2 PLACES ± 0.13 ± --- 1 PLACE ± 0.25 ± --- ANGULAR ±1/2°		DIMENSION STYLE MM/IN DRAWN BY DATE VLIN 2011/05/19 CHECKED BY DATE APPROVED BY DATE VLIN 2012/10/10		SCALE 2:1 DESIGN UNITS METRIC THIRD ANGLE PROJECTION		TITLE TEN60 SPLIT POWER VERT RECEPTACLE ASSY G-2P-60S-9SP-9SP-G	
	DRAFT WHERE APPLICABLE MUST REMAIN WITHIN DIMENSIONS		MATERIAL NO. 171089-0001		DOCUMENT NO. SD-171089-0001		SHEET NO. 1 OF 3		MOLEX INCORPORATED	
	THIS DRAWING CONTAINS INFORMATION THAT IS PROPRIETARY TO MOLEX INCORPORATED AND SHOULD NOT BE USED WITHOUT WRITTEN PERMISSION									
	SIZE D									



RECOMMENDED PCB LAYOUT AND KEEP OUT ZONE
(SEE SHEET 3 FOR PIN ASSIGNMENT)

FOR REFERENCE USE ONLY

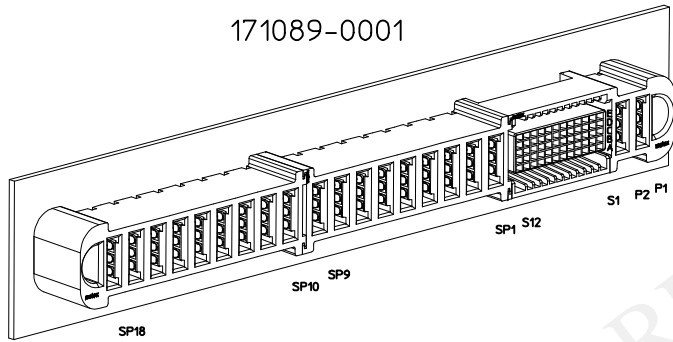
SEE SHEET 1 IEC NO.: UCP2016-1405 DRAWN: JUILLES 2015/09/30 CHECKED: LIN 2015/09/30 APPR.: JUILLES 2015/09/30 REV. DESCRIPTION	QUALITY SYMBOLS	GENERAL TOLERANCES (UNLESS SPECIFIED)	DIMENSION STYLE	SCALE	DESIGN UNITS	THIRD ANGLE PROJECTION
	▽=0	4 PLACES ± mm ± INCH	MM/IN	4:1	METRIC	☉
	▽=0	3 PLACES ± 0.10				
	▽=0	2 PLACES ± 0.13 ± 0.25				
		ANGULAR ±1/2°				
		DRAFT WHERE APPLICABLE MUST REMAIN WITHIN DIMENSIONS				
			DRAWN BY DATE	TITLE		
			VL IN 2011/05/19	TEN60 SPLIT POWER VERT RECEPTACLE ASSY G-2P-60S-9SP-9SP-G		
			CHECKED BY DATE	MOLEX MOLEX INCORPORATED		
			APPROVED BY DATE	MATERIAL NO. DOCUMENT NO.		
			VL IN 2012/10/10	171089-0001	SD-171089-0001	SHEET NO. 2 OF 3
			SIZE D	THIS DRAWING CONTAINS INFORMATION THAT IS PROPRIETARY TO MOLEX INCORPORATED AND SHOULD NOT BE USED WITHOUT WRITTEN PERMISSION		



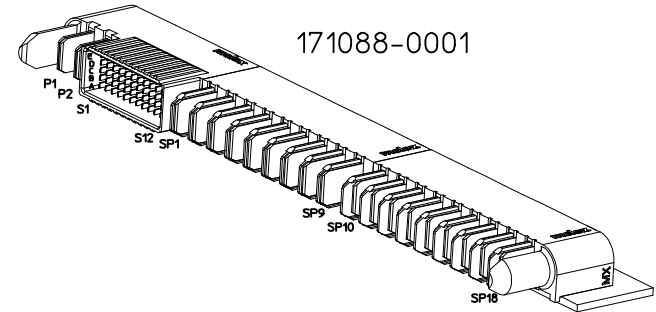
PCB PIN ASSIGNMENT

PLEASE ALSO REFR TO PLUG DRAWING.
P/N: 171088-0001

171089-0001



171088-0001



FOR REFERENCE USE

SEE SHEET 1 IEC NO: UCP2016-1405 CHKO:VLIN 2015/09/30 APPR:JULIES 2015/09/30	QUALITY SYMBOLS	GENERAL TOLERANCES (UNLESS SPECIFIED)	DIMENSION STYLE	SCALE	DESIGN UNITS	THIRD ANGLE PROJECTION	
	▽=0	mm INCH	MM/IN	4:1	METRIC	☉	
	▽=0	4 PLACES ± --- ± --- 3 PLACES ± --- ± .010 2 PLACES ± 0.13 ± --- 1 PLACE ± 0.25 ± ---	DRAWN BY DATE VL IN 2011/05/19	TITLE TEN60 SPLIT POWER VERT RECEPTACLE ASSY G-2P-60S-9SP-9SP-G			
	▽=0	ANGULAR ±1/2°	CHECKED BY DATE	MOLEX INCORPORATED			
	DRAFT WHERE APPLICABLE MUST REMAIN WITHIN DIMENSIONS	APPROVED BY DATE VL IN 2012/10/10	MATERIAL NO. 171089-0001	DOCUMENT NO. SD-171089-0001	SHEET NO. 3 OF 3		
		THIS DRAWING CONTAINS INFORMATION THAT IS PROPRIETARY TO MOLEX INCORPORATED AND SHOULD NOT BE USED WITHOUT WRITTEN PERMISSION					