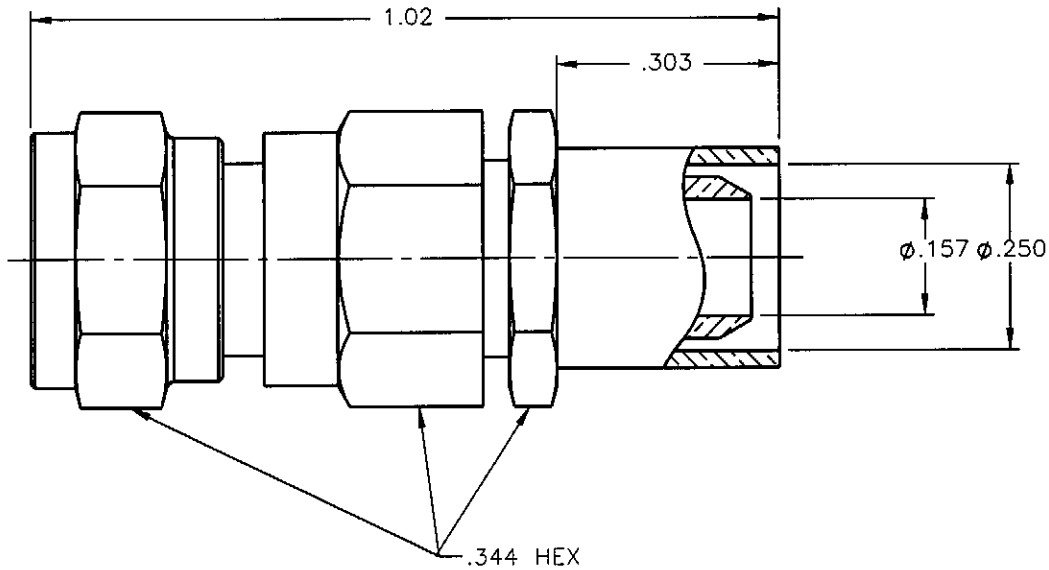


REVISIONS			
REV.	DESCRIPTION	DATE	APPROVED
A	INITIAL RELEASE	05/14/09	M.J.



NOTES:

MATERIALS:

1. INSULATORS = VIRGIN WHITE TEFLON PER ASTM D1710, GRADE 1, TYPE I, CLASS "B".
2. CONTACT = BERYLLIUM COPPER PER ASTM B196, ALLOY C17300, TEMPER TD04.
3. CRIMP SLEEVE = SEAMLESS LOWLEAD BRASS TUBE, ALLOY 330, SOFT ANNEAL TEMPER, .025/.060 GRAIN SIZE OR SEAMLESS COPPER TUBE PER ASTM B75, TYPE C12000, TEMPER: LIGHT ANNEAL O50 EXCEPT YIELD STRENGTH.
4. ALL OTHER METAL PARTS = BRASS PER ASTM B16, ALLOY C36000, TEMPER H02.

FINISHES:

1. CONTACT = GOLD PLATE PER MIL-G-45204, TYPE II, CLASS 1, GRADE C, OVER .00010 TO .00020 STRESS FREE SULFAMATE NICKEL PER QQ-N-290.
2. ALL OTHER METAL PARTS = GOLD PLATE PER MIL-G-45204, TYPE II, CLASS 0, GRADE C, OVER .00010 TO .00020 COPPER STRIKE PER MIL-C-14550.

Property of Radiall Incorporated
 This document cannot be reproduced or
 communicated to a third party without prior
 written permission of RADIALL Incorporated.

UNLESS OTHERWISE SPECIFIED DIMENSIONS ARE IN INCHES TOLERANCES ON	DWN:	DATE
	M.J.	05/14/09

DECIMAL	ANGLE	CHKD:	DATE
		D.N.	05/14/09

		APVD:	DATE
		J.M.	05/14/09

REFERENCE:	MATERIALS & FINISHES:
ORIGINATED: M.J. DATE: 05/14/09	SEE NOTES

AEP APPLIED ENGINEERING PRODUCTS
 a RADIALL company
 104 John W. Murphy Dr.
 New Haven, CT 06513

75 OHM STRAIGHT FEMALE PLUG
 CRIMP TYPE
 FOR RG-59 & SIMILAR CABLES

SIZE	FSCM NO.	DWG NO.	REV
A	19505	1702-1571-007	A
SCALE 4:1		THIRD ANGLE PROJECTION	SHEET 1 OF 1

1702-1571-007