

AUTRE VERSION ADMISE
other version accepted

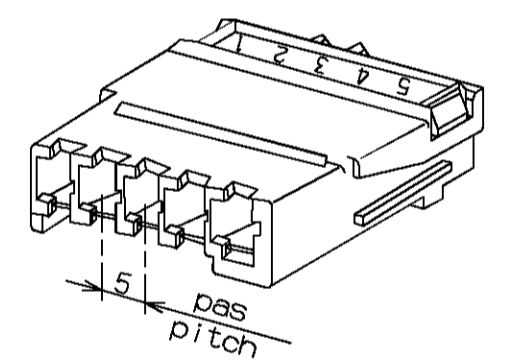
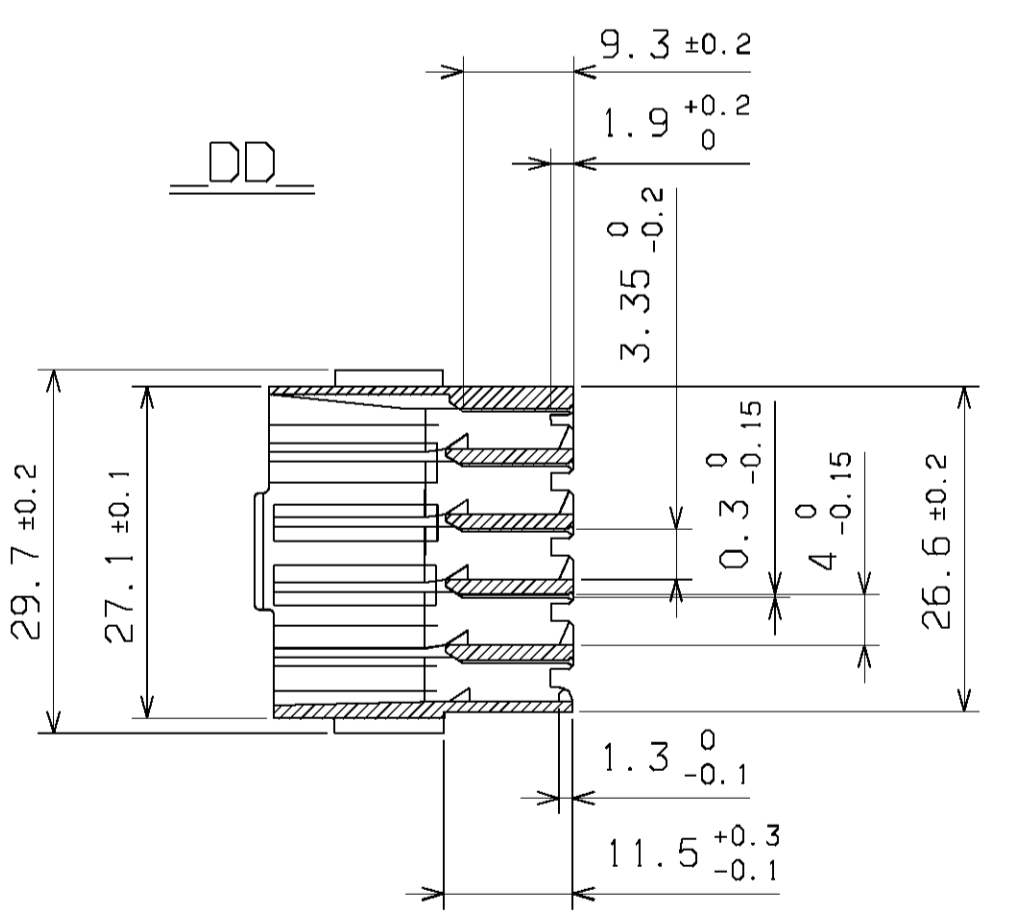
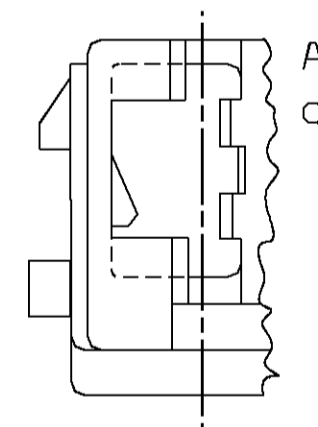
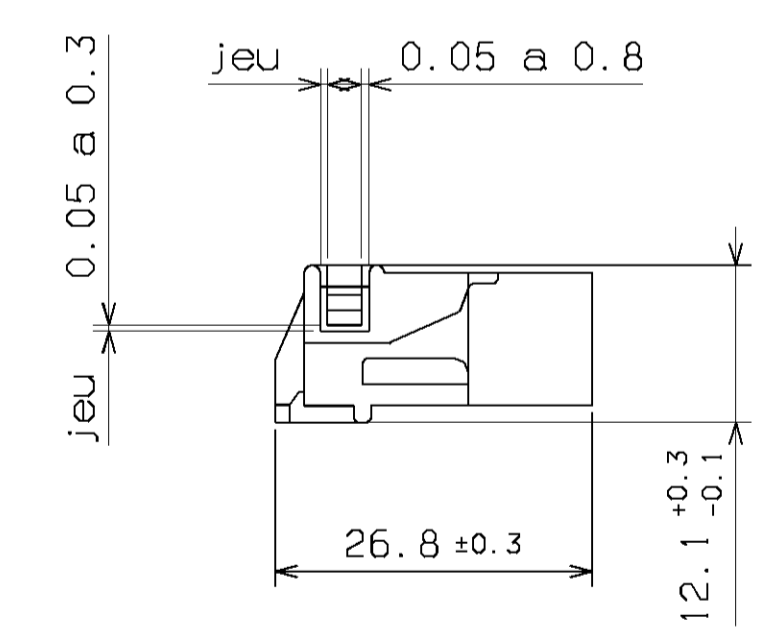
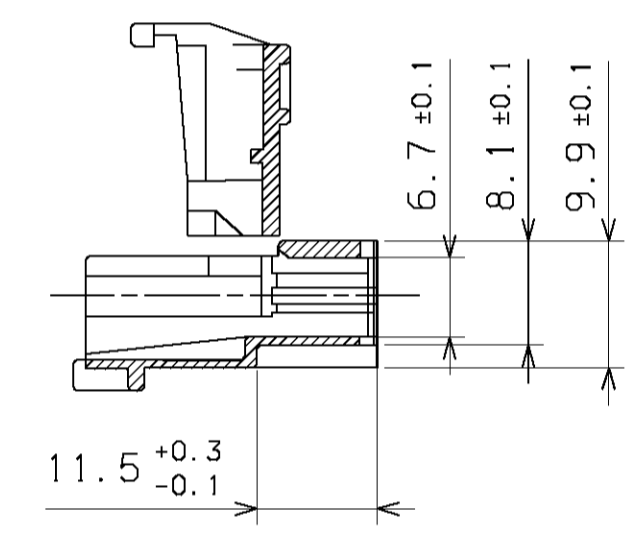
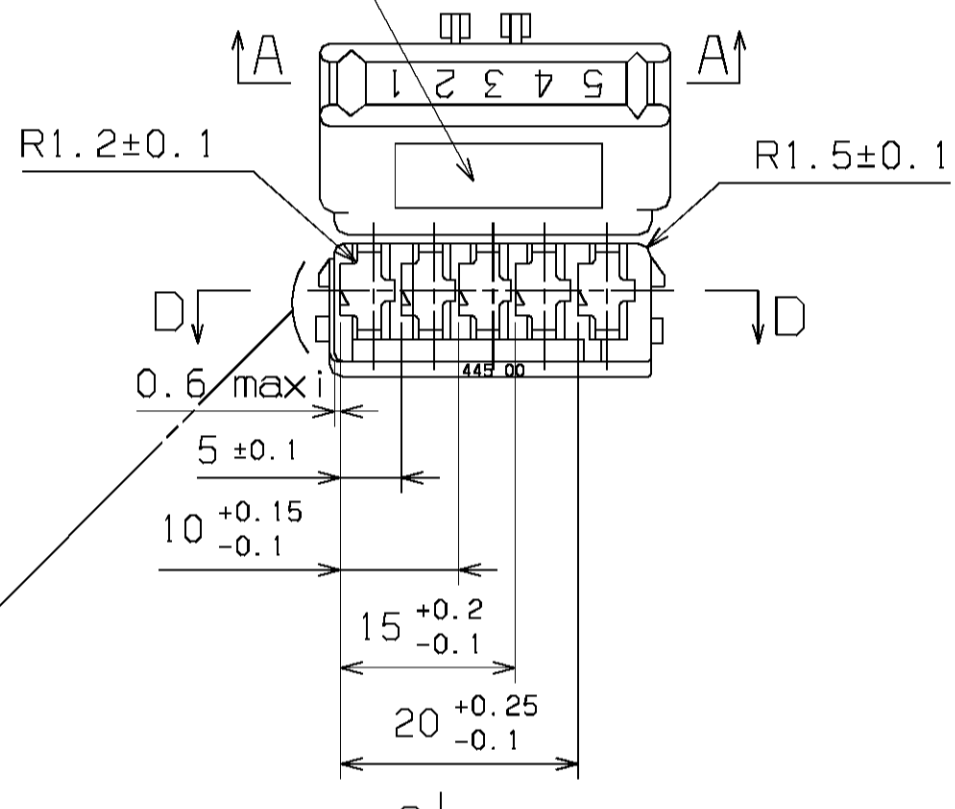
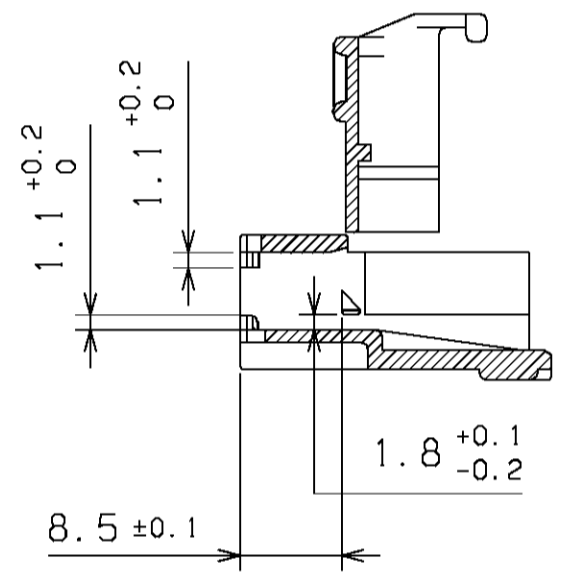
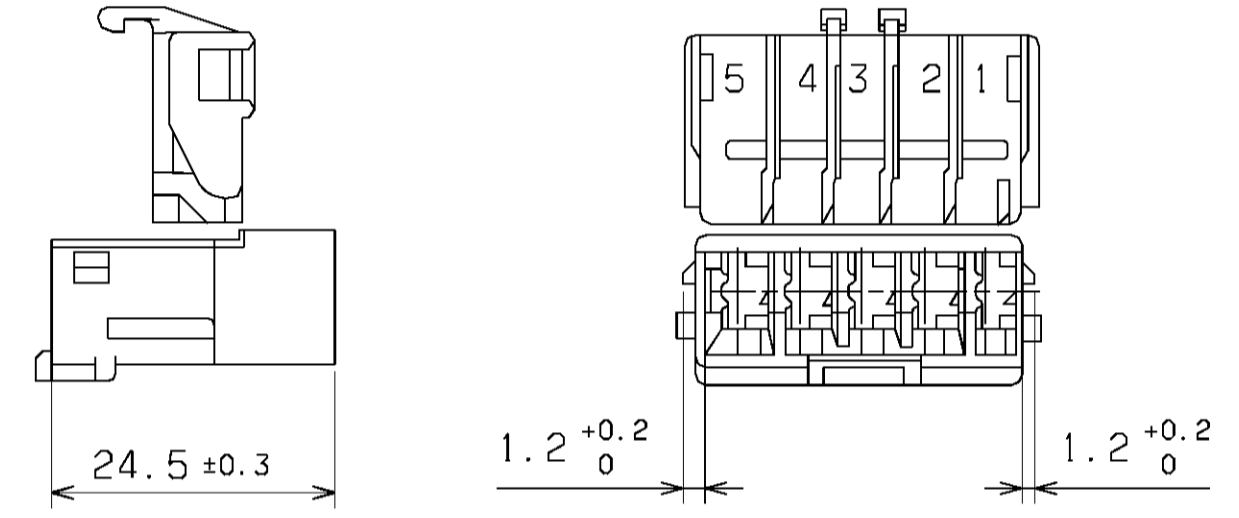
AUTRE VERSION ADMISE
other version accepted

(cloisons non représentées)
(without wall's showing) AA

sigle fournisseur
supplier logo

AUTRE VERSION ADMISE
other version accepted

Référence	Couleur	Colour	Matière/Material
0989361050	blanc	white	PA 6.6
0989361155	vert	green	PA 6.6
0989361054	jaune	yellow	PA 6.6
0989361159	marron	brown	PA 6.6
0989361151	noir	black	PA 6.6



NOTA Connexions à employer:

- (pour cables de 0.35 à 1mm² isolant réduit) { 0988901014
0988951014
0988952014
- (——— 0.35 à 1mm²) { 0988901011
0988303011
0988951011
0988952011
- (——— 1 à 3mm²) { 0988901012
0988903012
0988951012
0988952012

NOTE Use terminals:

- (for wire 0.35 to 1mm² reduced insulation)
- (——— 0.35 to 1mm²)
- (——— 1 to 3mm²)

- Cotes à contrôler sur pièces en état stabilisé à 2.5% ± 1.5% de teneur en eau.
- Dimensions to be controlled on parts in stabilized state at 2.5% ± 1.5% relative humidity.

ENTER DESCRIPTION EC NO: G2006-0100 DRAWN: PBOUQUIN 2005/10/05 CH: KO: JUDCLOS 2005/10/05 APPR: LST ICKE IR 2005/10/05	GENERAL TOLERANCES (UNLESS SPECIFIED)		DIMENSION STYLE MM ONLY		SCALE 2:1	DESIGN UNITS METRIC	FIRST ANGLE PROJECTION
	mm	INCH	DRAWN BY	DATE	TITLE		
	4 PLACES ±	±	HE	81/06/19	CSP5 RCPT HSG W/ CAP PA6/6 5CKT		
	3 PLACES ±	±	CHECKED BY	DATE			
2 PLACES ±	±	JLD	05/09/23	APPROVED BY			MOLEX INCORPORATED
1 PLACE ±	±	LST	05/09/23	MATERIAL NO.		SHEET NO.	
ANGULAR ± °		DRAFT WHERE APPLICABLE MUST REMAIN WITHIN DIMENSIONS		SEE CHART		SD-98936-005	1 OF 1
THIS DRAWING CONTAINS INFORMATION THAT IS PROPRIETARY TO MOLEX INCORPORATED AND SHOULD NOT BE USED WITHOUT WRITTEN PERMISSION							

FROM DRAWING P/N 455-22... IND. K 95/05/02
 K1 Change part numbers, supplier logo and drawing frame 05/09/23
 Modif.