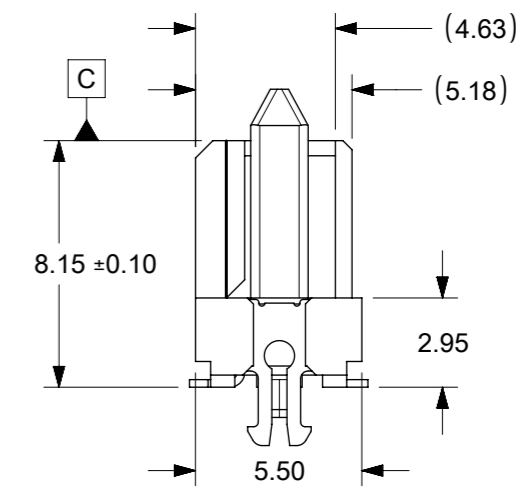
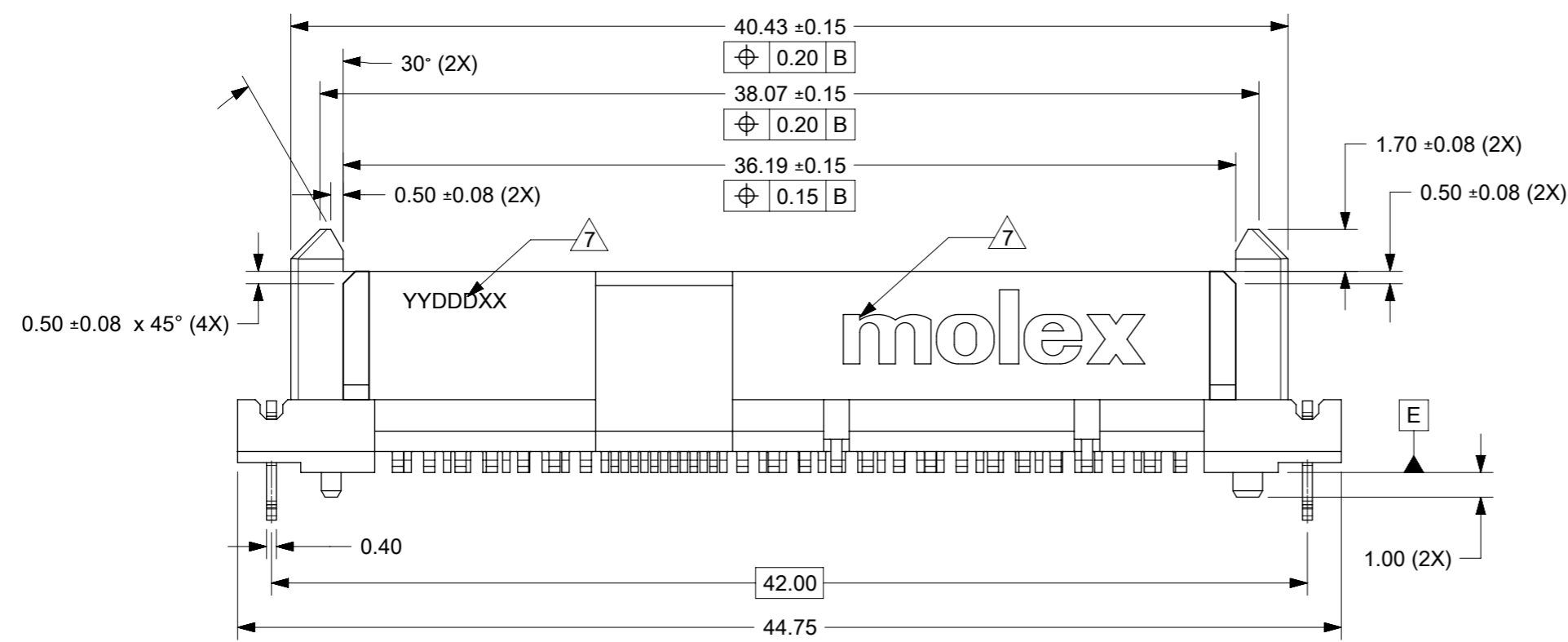


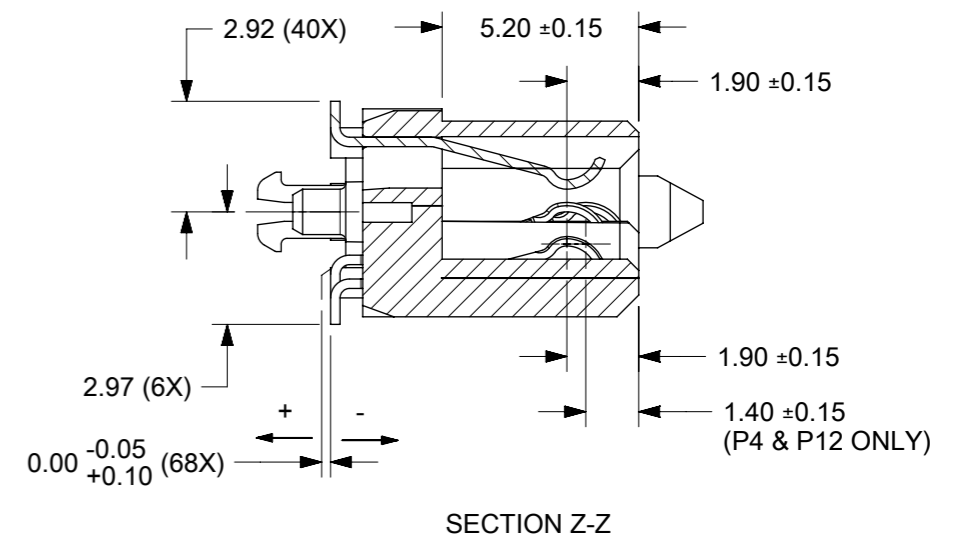
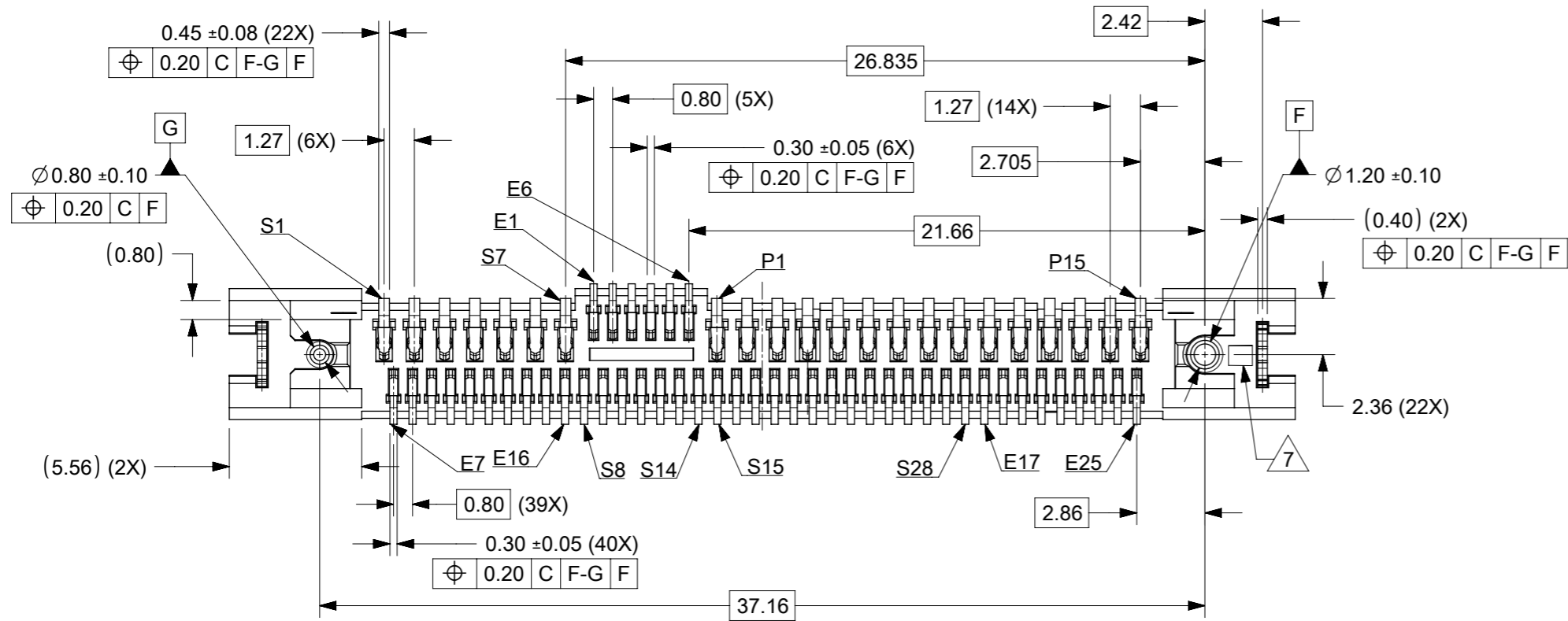
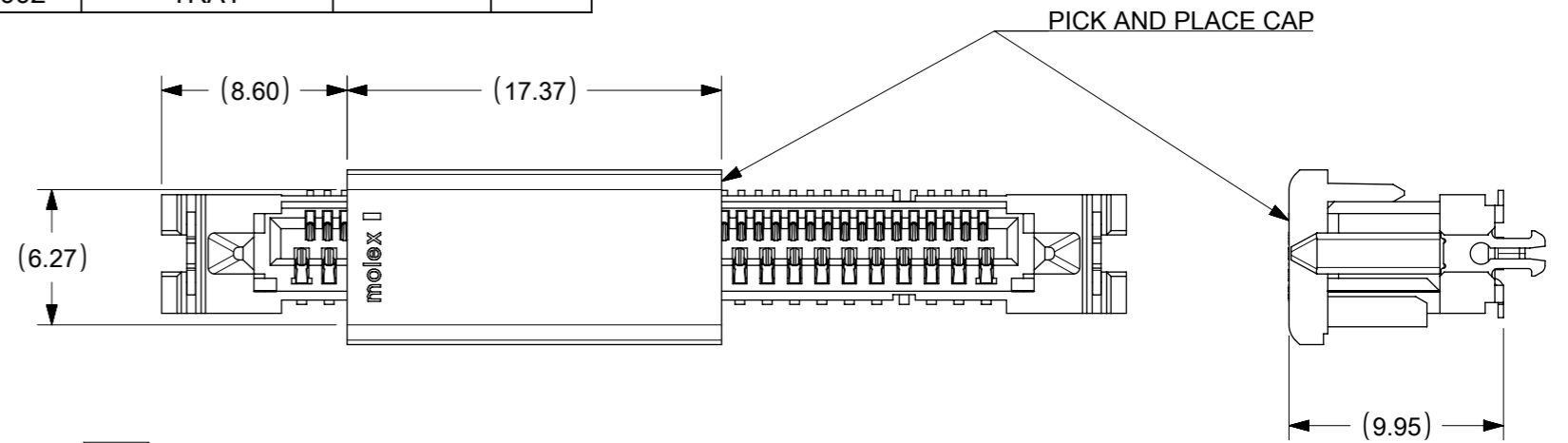
- NOTES:
- MATERIALS:
HOUSING: LCP, GLASS FILLED, UL94V-0, COLOR: BLACK
TERMINALS & SMT CLIP: COPPER ALLOY
 - FINISHES:
TERMINALS:
0.76µM MIN GOLD ON CONTACTS OVER 1.27µM MIN NICKEL UNDERPLATE.
2.54µM MIN MATTE TIN ON SOLDER TAIL OVER 1.27µM MIN NICKEL UNDERPLATE.
SMT CLIP:
2.54µM MIN MATTE TIN OVER 1.27µM MIN NICKEL UNDERPLATE
 - PRODUCT SPECIFICATION: PS-78777-001
 - PACKAGING SPECIFICATION: PK-78777-001
 - REFER TO AS-78777-001 FOR PCB ROUTING RECOMMENDATIONS.
 - NON FUNCTIONAL CORING TO VARIES.
 - MOLEX LOGO, DATE CODE AND CAVITY ID TO BE LOCATED APPROXIMATELY AS SHOWN.
 - PRODUCT IS COMPLIANT TO RoHS DIRECTIVE WITH THE FOLLOWING BANNED SUBSTANCES - LEAD, MERCURY, CADMIUM, HEXAVALENT CHROMIUM, POLYBROMINATED BIPHENYLS AND POLYBROMINATED DIPHENYL ETHERS.



YYDDXX
 YEAR
 DAYS
 ASSEMBLY LINE CODE

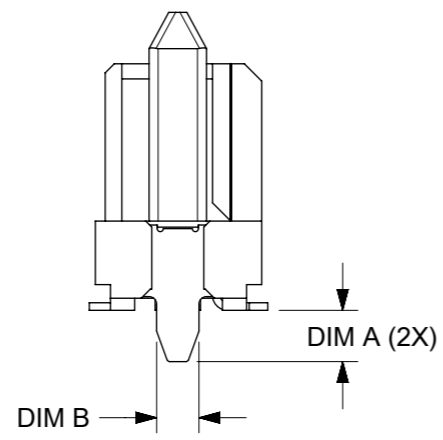
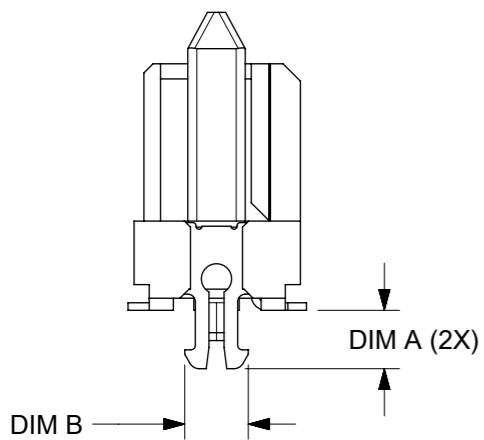
THIS DRAWING CONTAINS INFORMATION THAT IS PROPRIETARY TO MOLEX ELECTRONIC TECHNOLOGIES, LLC AND SHOULD NOT BE USED WITHOUT WRITTEN PERMISSION		CURRENT REV DESC:			
DIMENSION UNITS	SCALE				
mm	NTS			SAS/PCIE STD HEIGHT BACKPLANE SMT RECEPTACLE	
GENERAL TOLERANCES (UNLESS SPECIFIED)				PRODUCT CUSTOMER DRAWING	
ANGULAR TOL	± 3.0°			DOCUMENT NUMBER	
4 PLACES	±	EC NO: 704203	2022/04/22	SD-78777-101	
3 PLACES	±	DRWN: ABELD2	2022/05/17	DOC TYPE	DOC PART
2 PLACES	± 0.2	CHK'D: JKACHLIC	2022/05/17	PSD	000
1 PLACE	±	APPR: JKACHLIC	2022/05/17	REVISION	B2
0 PLACES	±	INITIAL REVISION:		MATERIAL NUMBER	
DRAFT WHERE APPLICABLE MUST REMAIN WITHIN DIMENSIONS		DRWN: CGOH	2013/04/05	CUSTOMER	
THIRD ANGLE PROJECTION		APPR: BOKOK	2013/04/17	GENERAL MARKET	
DRAWING		SERIES		SHEET NUMBER	
A3-SIZE		78777		1 OF 4	

PART NO	HOLD DOWN	BLADE/ FORKLOCK HEIGHT DIM A (2X)	PICK & PLACE CAP	PACKAGING SPECIFICATION	PACKAING	DIM T $\triangle 9$	DIM B
78777-1002	FORKLOCK	1.93	YES	PK-78777-001	TAPE AND REEL	2.36±0.10	2.10
78777-1003	FORKLOCK			PK-78777-002	TRAY		
78777-1004	MOUNT BLADE	1.70	YES	PK-78777-001	TAPE AND REEL	1.30±0.10	1.40
78777-1005	MOUNT BLADE			PK-78777-002	TRAY		

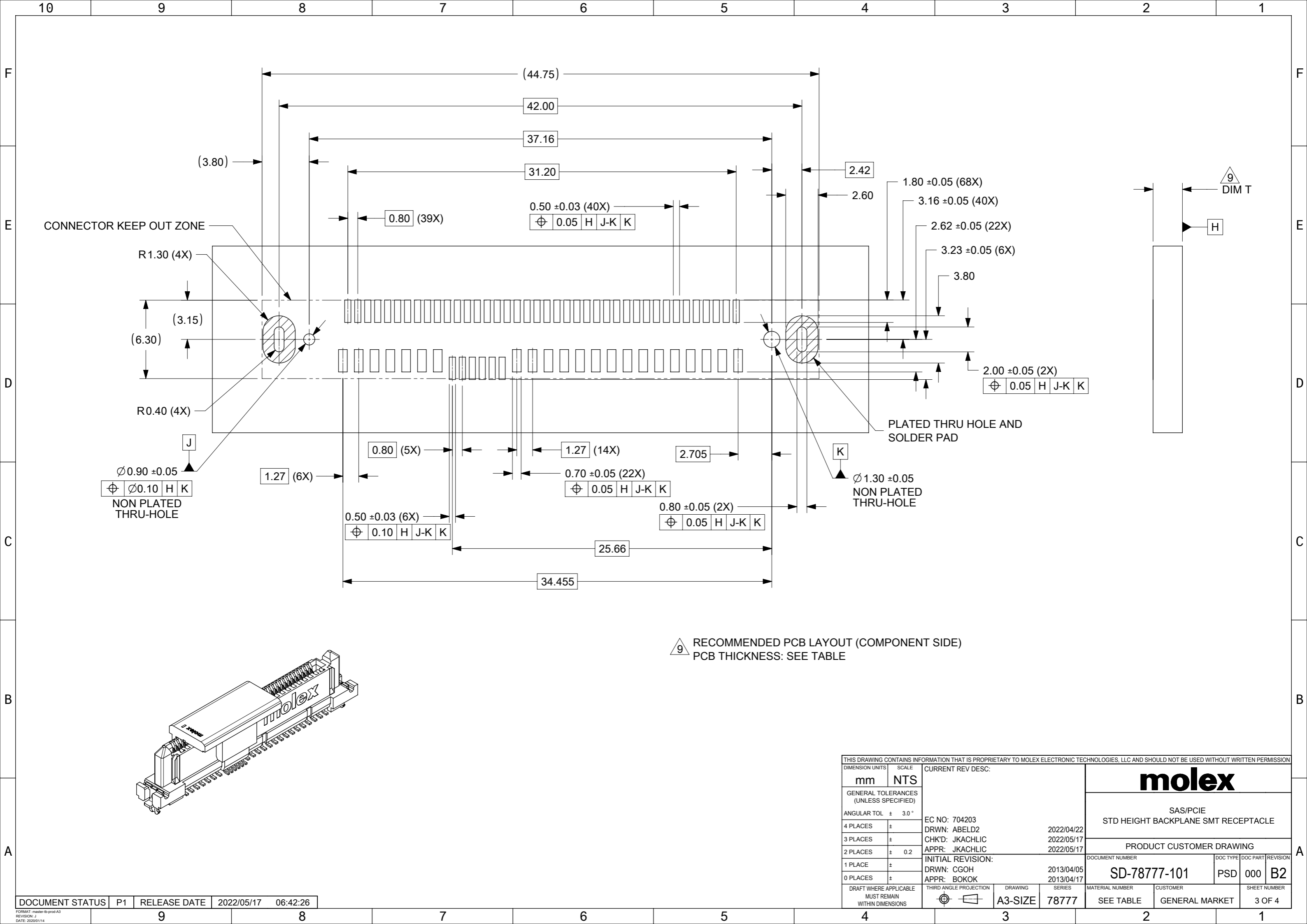


FORKLOCK OPTION

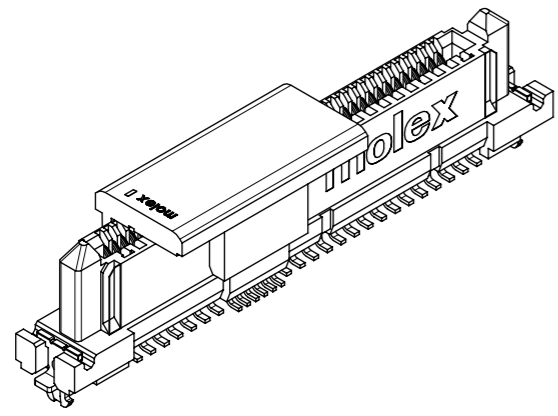
MOUNT BLADE OPTION



THIS DRAWING CONTAINS INFORMATION THAT IS PROPRIETARY TO MOLEX ELECTRONIC TECHNOLOGIES, LLC AND SHOULD NOT BE USED WITHOUT WRITTEN PERMISSION		CURRENT REV DESC:		molex	
DIMENSION UNITS	SCALE	EC NO: 704203			
mm	NTS	DRWN: ABELD2 2022/04/22		SAS/PCIE STD HEIGHT BACKPLANE SMT RECEPTACLE	
GENERAL TOLERANCES (UNLESS SPECIFIED)		CHK'D: JKACHLIC 2022/05/17		PRODUCT CUSTOMER DRAWING	
ANGULAR TOL	± 3.0°	APPR: JKACHLIC 2022/05/17		DOCUMENT NUMBER	
4 PLACES	±	INITIAL REVISION:		SD-78777-101	
3 PLACES	±	DRWN: CGOH 2013/04/05		DOC TYPE	
2 PLACES	± 0.2	APPR: BOKOK 2013/04/17		PSD	
1 PLACE	±	MATERIAL NUMBER		000	
0 PLACES	±	CUSTOMER		B2	
DRAFT WHERE APPLICABLE MUST REMAIN WITHIN DIMENSIONS		THIRD ANGLE PROJECTION	DRAWING	SERIES	SHEET NUMBER
			A3-SIZE	78777	2 OF 4



9 RECOMMENDED PCB LAYOUT (COMPONENT SIDE)
PCB THICKNESS: SEE TABLE



THIS DRAWING CONTAINS INFORMATION THAT IS PROPRIETARY TO MOLEX ELECTRONIC TECHNOLOGIES, LLC AND SHOULD NOT BE USED WITHOUT WRITTEN PERMISSION									
DIMENSION UNITS	SCALE	CURRENT REV DESC:							
mm	NTS	<p>molex</p> <p>SAS/PCIE STD HEIGHT BACKPLANE SMT RECEPTACLE</p> <p>PRODUCT CUSTOMER DRAWING</p>							
GENERAL TOLERANCES (UNLESS SPECIFIED)									
ANGULAR TOL	± 3.0°								
4 PLACES	±								
3 PLACES	±								
2 PLACES	± 0.2	EC NO: 704203	2022/04/22		DOCUMENT NUMBER				
1 PLACE	±	DRWN: ABELD2	2022/05/17		SD-78777-101		DOC TYPE	DOC PART	REVISION
0 PLACES	±	CHK'D: JKACHLIC	2022/05/17		2013/04/05		PSD	000	B2
DRAFT WHERE APPLICABLE MUST REMAIN WITHIN DIMENSIONS		THIRD ANGLE PROJECTION		DRAWING	SERIES	MATERIAL NUMBER	CUSTOMER		SHEET NUMBER
				A3-SIZE	78777	SEE TABLE	GENERAL MARKET		3 OF 4

10

9

8

7

6

5

4

3

2

1

F

F

E

E

D

D

C

C

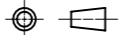
B

B

A

A

REV.	DATE	DESCRIPTION
B2	2022/04/22	SHEET 1:A7 UPDATE THE ASSEMBLY LINE CODE.

THIS DRAWING CONTAINS INFORMATION THAT IS PROPRIETARY TO MOLEX ELECTRONIC TECHNOLOGIES, LLC AND SHOULD NOT BE USED WITHOUT WRITTEN PERMISSION															
DIMENSION UNITS		SCALE		CURRENT REV DESC:				molex							
mm		NTS													
GENERAL TOLERANCES (UNLESS SPECIFIED)				EC NO: 704203 DRWN: ABELD2 2022/04/22 CHK'D: JKACHLIC 2022/05/17 APPR: JKACHLIC 2022/05/17 INITIAL REVISION: DRWN: CGOH 2013/04/05 APPR: BOKOK 2013/04/17											
ANGULAR TOL ± 3.0 °															
4 PLACES		±													
3 PLACES		±													
2 PLACES		± 0.2													
1 PLACE		±													
0 PLACES		±		DOCUMENT NUMBER		DOC TYPE		DOC PART REVISION							
DRAFT WHERE APPLICABLE MUST REMAIN WITHIN DIMENSIONS				THIRD ANGLE PROJECTION		DRAWING		SERIES		MATERIAL NUMBER		CUSTOMER		SHEET NUMBER	
						A3-SIZE		78777		SD-78777-101		PSD 000		B2	
DOCUMENT STATUS		P1		RELEASE DATE		2022/05/17		06:42:26							

DOCUMENT STATUS P1 RELEASE DATE 2022/05/17 06:42:26

10

9

8

7

6

5

4

3

2

1