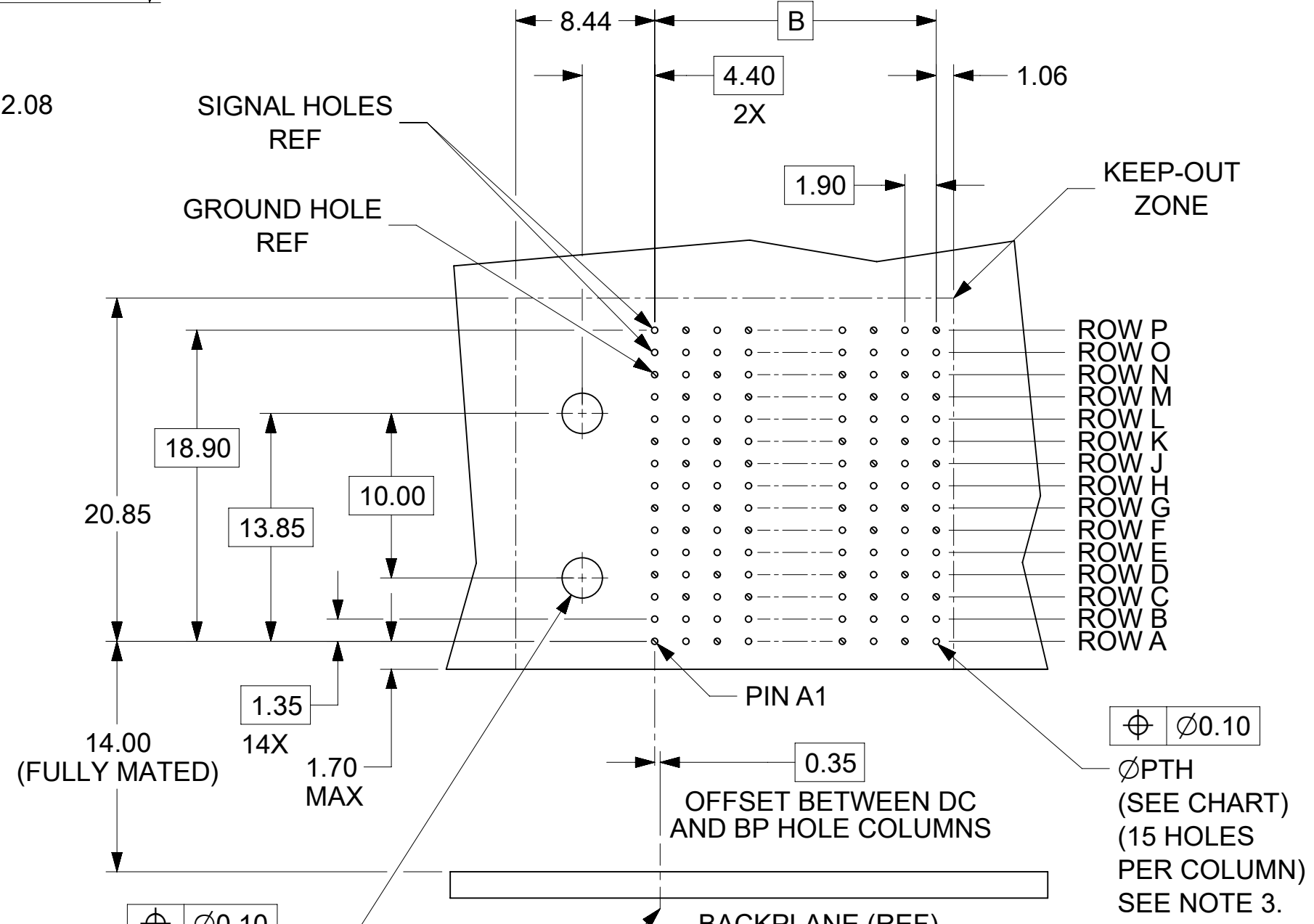
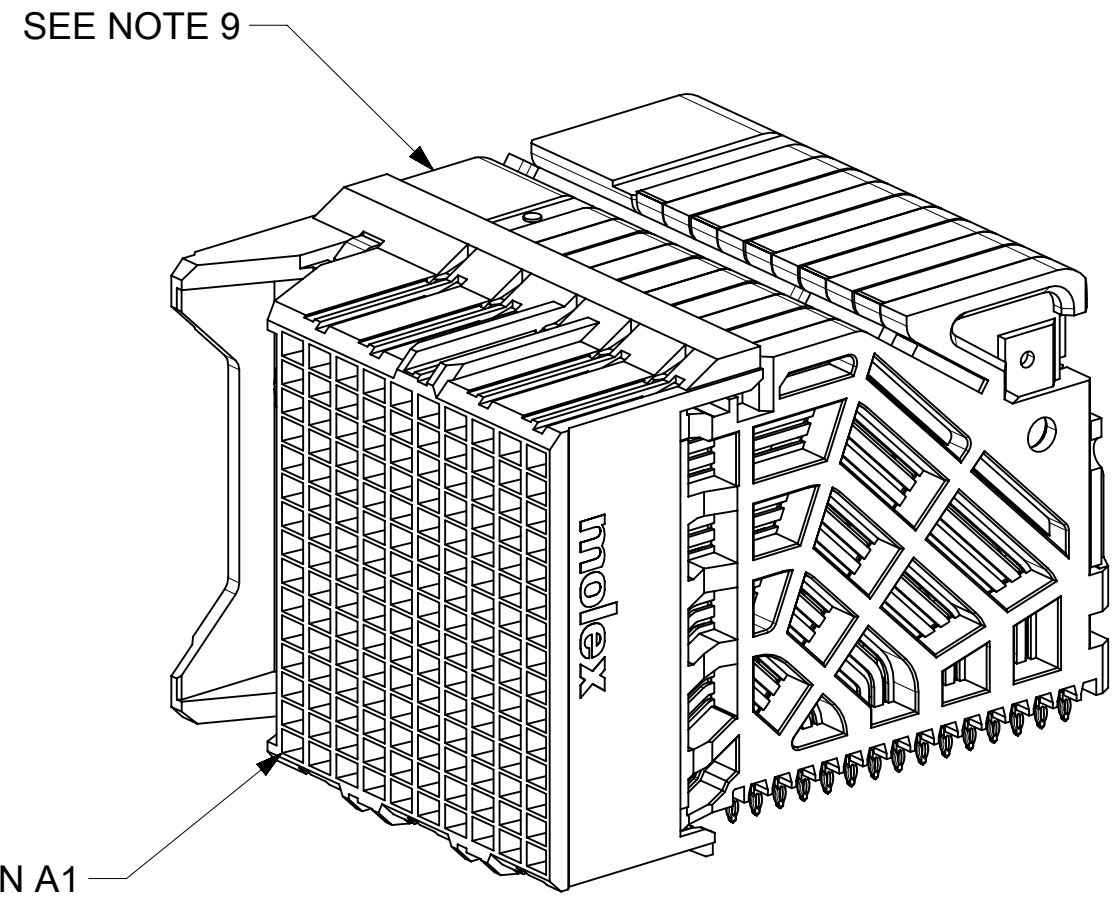
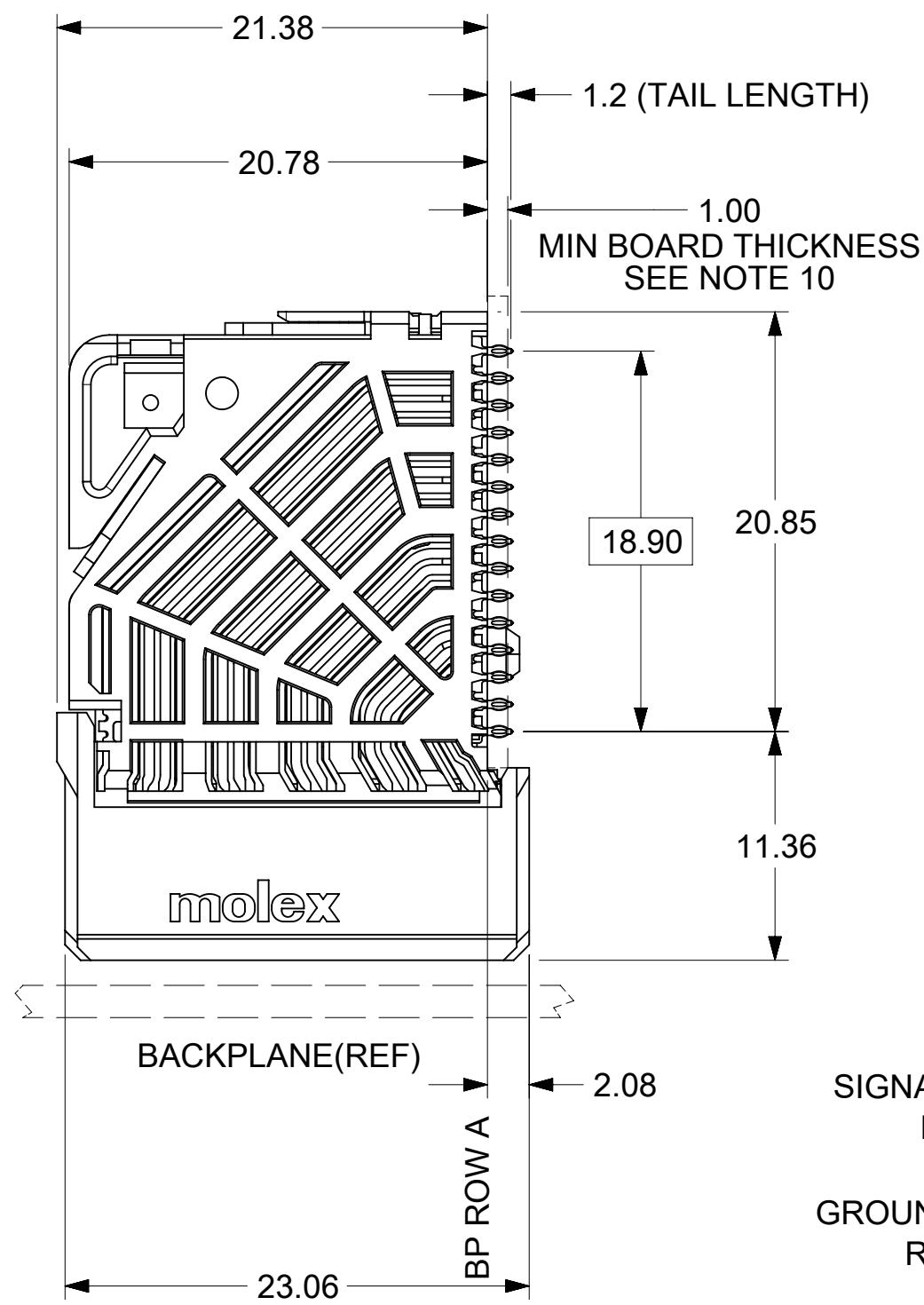


- NOTES:**
1. MATERIALS: HOUSING - LIQUID CRYSTAL POLYMER (LCP), GLASS-FILLED, UL94V-0
TERMINALS - HIGH PERFORMANCE COPPER ALLOY
 2. FINISH: 30µIN MIN SELECTIVE GOLD IN CONTACT AREA, SELECTIVE TIN ON PCB TAILS. NICKEL OVERALL.
 3. REFER TO MOLEX PRODUCT SPEC PS-76060-999 FOR PERFORMANCE SPECIFICATIONS AND ADDITIONAL PCB INFORMATION.
 4. EACH SIGNAL WAFER CONTAINS 2 COLUMNS OF TERMINALS.
 5. PRODUCT IS PACKAGED PER PK-70873-611.
 6. THIS PART CONFORMS TO CLASS B REQUIREMENTS OF COSMETIC SPEC PS-45499-002.
 7. REFER TO MOLEX SALES DRAWING SD-76055-002 FOR THE MATING HEADERS.
 8. REFER TO MOLEX PCB MOUNTING GUIDE AS-76060-990 FOR ANTIPAD AND ROUTING RECOMMENDATIONS.
 9. PART NUMBER 76060-3120 SHOWN ON DRAWING. KEYING FEATURES WILL CHANGE WITH COLUMN SIZE.
 10. MINIMUM BOARD THICKNESS IS 1.00 mm FOR COMPLIANT PIN FUNCTIONALITY.
 11. WHEN USING MOLEX SUPPLIED #2-32 SCREW 73726-0000 (9.50mm ±0.38 THREADABLE SCREW LENGTH), THE MAXIMUM BOARD THICKNESS IS 4.4mm.
 12. MARKING: LOCATED APPROXIMATELY AS SHOWN. PART NUMBER AND DATE CODE.



DAUGHTERCARD HOLE PATTERN (CONNECTOR SIDE)

THIS DRAWING CONTAINS INFORMATION THAT IS PROPRIETARY TO MOLEX ELECTRONIC TECHNOLOGIES, LLC AND SHOULD NOT BE USED WITHOUT WRITTEN PERMISSION											
DIMENSION UNITS		SCALE		CURRENT REV DESC: REMASTERED TO NX						molex	
mm		NTS									
GENERAL TOLERANCES (UNLESS SPECIFIED)				EC NO: 705090		2021/09/27		IMPACT 100 OHM DC 5 PAIR SIGNAL MODULE GUIDE LEFT SALES DWG			
ANGULAR TOL ± 0.5°				DRWN: SKANDB		2022/02/17					
4 PLACES ±				CHK'D: VINODM3		2022/05/13		PRODUCT CUSTOMER DRAWING			
3 PLACES ±				APPR: LZENG							
2 PLACES ± 0.13				INITIAL REVISION:				DOCUMENT NUMBER			
1 PLACE ± 0.25				DRWN: MCARRANZA		2007/07/11					
0 PLACES ±				APPR: JLAURX		2007/07/11		DOC TYPE DOC PART REVISION			
DRAFT WHERE APPLICABLE MUST REMAIN WITHIN DIMENSIONS				THIRD ANGLE PROJECTION		DRAWING					
				C-SIZE		76060		CUSTOMER		SHEET NUMBER	
								GENERAL MARKET		1 OF 2	

MATERIAL NUMBER	# OF COLUMNS	# OF DIFF PAIR	DIM "A" MAX	DIM "B"	PTHØ
76060-***0	10	50	26.60	17.10	0.46 ±0.05
76060-***2	12	60	30.40	20.90	
76060-***4	14	70	34.20	24.70	
76060-***6	16	80	38.00	28.50	
76060-***0	10	50	26.60	17.10	0.39 ±0.05
76060-***2	12	60	30.40	20.90	
76060-***4	14	70	34.20	24.70	
76060-***6	16	80	38.00	28.50	

76060-****

MODULE & TAIL PLATING TYPE
3 = LEFT GUIDED LEAD-FREE

POLARIZATION KEY ORIENTATION

0 = NO KEY
1 = A 5 = E
2 = B 6 = F
3 = C 7 = G
4 = D 8 = H

OF COLUMNS
10 = 10 COL 0.46 PTH
12 = 12 COL 0.46 PTH
14 = 14 COL 0.46 PTH
16 = 16 COL 0.46 PTH
20 = 10 COL 0.39 PTH
22 = 12 COL 0.39 PTH
24 = 14 COL 0.39 PTH
26 = 16 COL 0.39 PTH

THIS DRAWING CONTAINS INFORMATION THAT IS PROPRIETARY TO MOLEX ELECTRONIC TECHNOLOGIES, LLC AND SHOULD NOT BE USED WITHOUT WRITTEN PERMISSION

DIMENSION UNITS		SCALE	CURRENT REV DESC: REMASTERED TO NX		molex		
mm		NTS					
GENERAL TOLERANCES (UNLESS SPECIFIED)			EC NO: 705090		IMPACT 100 OHM DC 5 PAIR SIGNAL MODULE GUIDE LEFT SALES DWG		
ANGULAR TOL ± 0.5°			DRWN: SKANDB 2021/09/27				
4 PLACES ±			CHK'D: VINODM3 2022/02/17		PRODUCT CUSTOMER DRAWING		
3 PLACES ±			APPR: LZENG 2022/05/13				
2 PLACES ± 0.13			INITIAL REVISION:		DOCUMENT NUMBER		
1 PLACE ± 0.25			DRWN: MCARRANZA 2007/07/11				
0 PLACES ±			APPR: JLAURX 2007/07/11		DOC TYPE		
DRAFT WHERE APPLICABLE MUST REMAIN WITHIN DIMENSIONS			THIRD ANGLE PROJECTION				
			DRAWING		REVISION		
			C-SIZE				
			76060		MATERIAL NUMBER		
					SHEET NUMBER		

DOCUMENT STATUS	P1	RELEASE DATE	2022/05/13	03:06:31
-----------------	----	--------------	------------	----------