

NO. OF CIRCUITS	PART NO.	ENGINEERING NO.	COLOR	DIM "A"	DIM "B"
				MM	MM
2	397691002	MX501R-02P-G12	GREEN	18.04	7.62
3	397691003	MX501R-03P-G12	GREEN	25.66	15.24
4	397691004	MX501R-04P-G12	GREEN	33.28	22.86
5	397691005	MX501R-05P-G12	GREEN	40.90	30.48
6	397691006	MX501R-06P-G12	GREEN	48.52	38.10
7	397691007	MX501R-07P-G12	GREEN	56.14	45.72
8	397691008	MX501R-08P-G12	GREEN	63.76	53.34
9	397691009	MX501R-09P-G12	GREEN	71.38	60.96
10	397691010	MX501R-10P-G12	GREEN	79.00	68.58
11	397691011	MX501R-11P-G12	GREEN	86.62	76.20
12	397691012	MX501R-12P-G12	GREEN	94.24	83.82

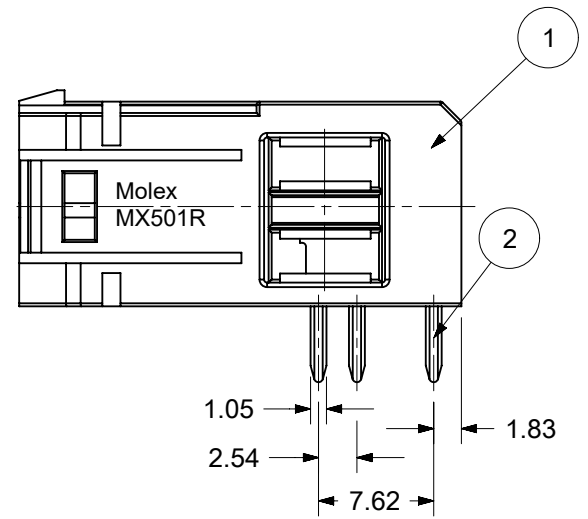
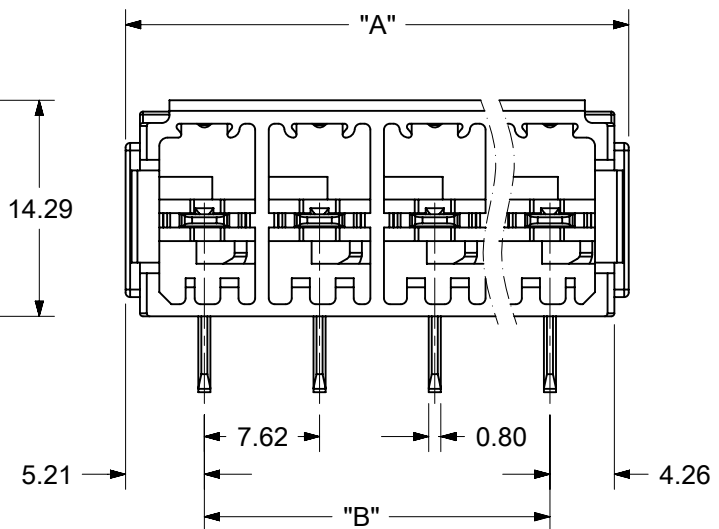
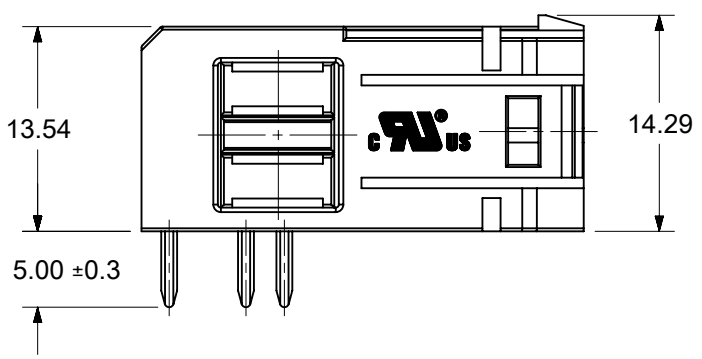
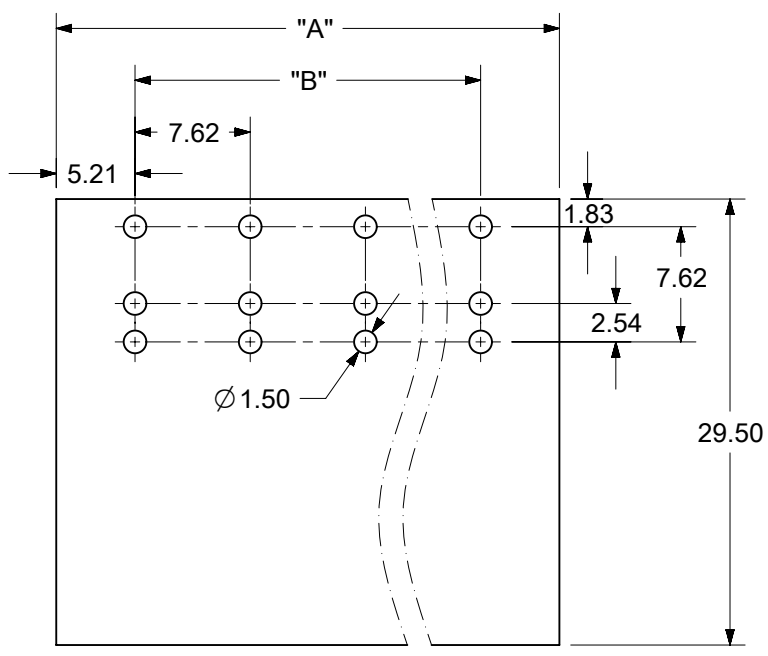
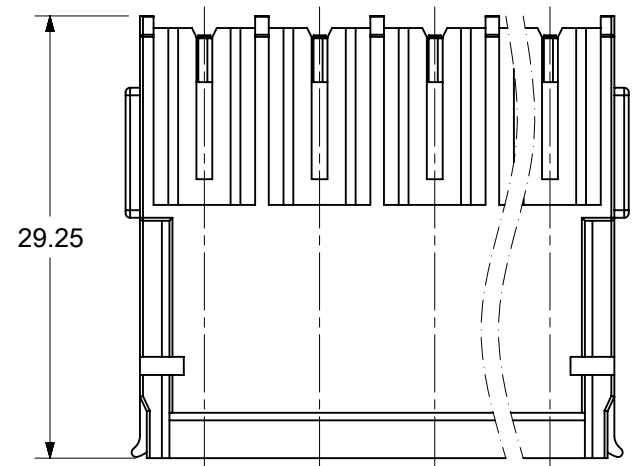
MATERIALS	
1. HOUSING	PA66 UL94 V-0
2. TERMINAL	TIN PLATED COPPER ALLOY

ELECTRICAL AND THERMAL RATINGS	
MAXIMUM VOLTAGE	300V (PER UL GROUP B OR C)
	600V (PER UL GROUP D)
MAXIMUM CURRENT	41A (PER UL GROUP B OR C)
	5A (PER UL GROUP D)
INSULATION RESISTANCE	500MΩ OR MORE AT 500V DC
INSULATION WITHSTAND VOLTAGE	2200V PER 1 MINUTE
OPERATING TEMPERATURE	-40°C TO +105°C

Total Pitch Tolerances in mm									Nominal dimension range in mm									
over	over	over	over	over	over	over	over	over	over	over	over	over	over	over	over	over	over	over
0	30	53	70	90	115	150	200	250	0	30	53	70	90	115	150	200	250	
to	to	to	to	to	to	to	to	to	to	to	to	to	to	to	to	to	to	
30	53	70	90	115	150	200	250	320	30	53	70	90	115	150	200	250	320	
±0.20	±0.25	±0.30	±0.35	±0.44	±0.55	±0.70	±0.85	±1.00	±0.25	±0.30	±0.35	±0.44	±0.55	±0.70	±0.80	±0.90	±1.20	

DOCUMENT STATUS	P1	RELEASE DATE	2022/05/13	15:39:56
-----------------	----	--------------	------------	----------



FUNCTIONAL SYMBOLS		THIS DRAWING CONTAINS INFORMATION THAT IS PROPRIETARY TO MOLEX ELECTRONIC TECHNOLOGIES, LLC AND SHOULD NOT BE USED WITHOUT WRITTEN PERMISSION		CURRENT REV DESC: MODIFIED TITLE BLOCK DESCRIPTION	
∇ = 0	mm	SCALE	2:1		
∇ = 0	GENERAL TOLERANCES (UNLESS SPECIFIED)				
∇ = 0	ANGULAR TOL ± ---				
DIVISIONAL SYMBOLS	4 PLACES	± ---	EC NO: 706702		
	3 PLACES	± ---	DRWN: ABENJAMINLW 2022/05/12		
	2 PLACES	± SEE CHART	CHK'D: DACHAMMER 2022/05/12		
	1 PLACE	± SEE CHART	APPR: JFMURPHY 2022/05/13		
	0 PLACES	± ---	INITIAL REVISION:		
DRAFT WHERE APPLICABLE MUST REMAIN WITHIN DIMENSIONS		THIRD ANGLE PROJECTION	DRAWING	SERIES	MATERIAL NUMBER
			B-SIZE	39769	SEE CHART
					CUSTOMER
					GENERAL MARKET
					SHEET NUMBER
					1 OF 1

<b>molex</b>		
7.62MM PITCH HORIZONTAL TERMINAL BLOCK, HIGH CURRENT		
PRODUCT CUSTOMER DRAWING		
DOCUMENT NUMBER	DOC TYPE	DOC PART
397691002	PSD	000
REVISION		
A1		