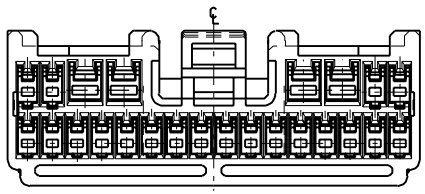
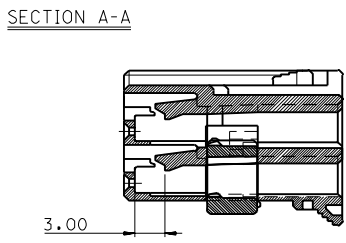
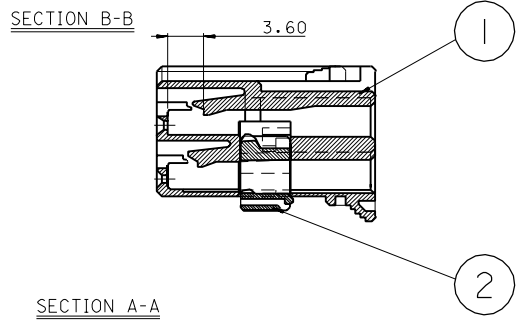
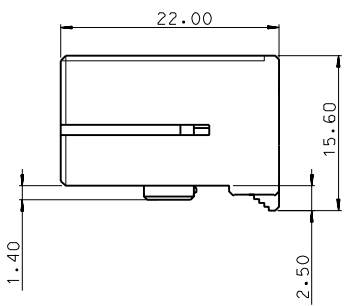
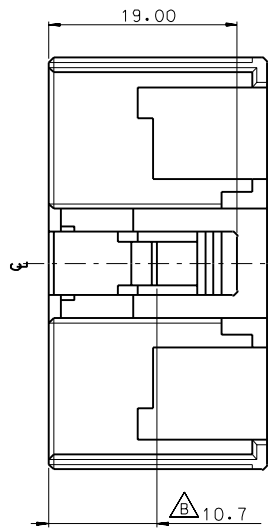
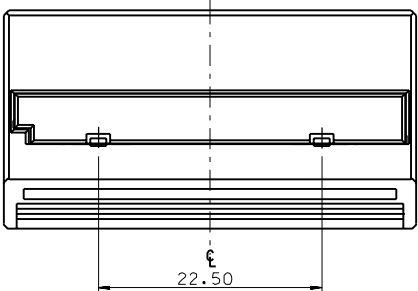
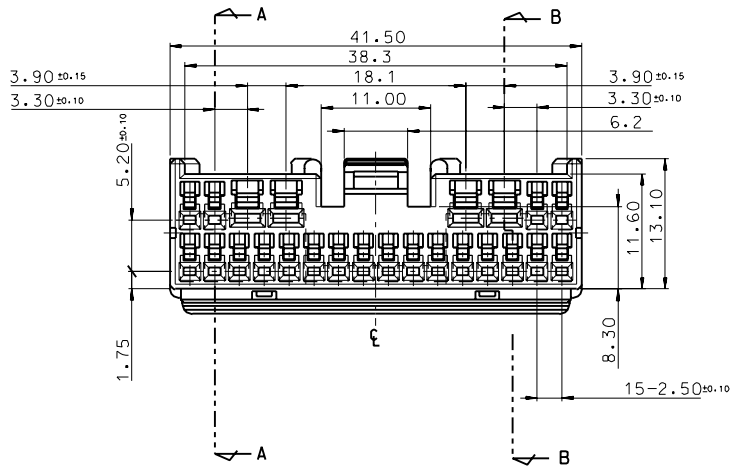


DWG. NO. SD-35896-002  
 PROJECT NO. SIMILAR ITEM  
 DO NOT SCALE DRAWING DIMENSION IN METRIC

NO.	PART NO.	PART NAME	MATERIAL	REMARK
I-1	35896-2490	.040/090 F/HSG 24P	POLYESTER	WHITE
I-2	35896-2491	.040/090 F/HSG 24P	POLYESTER	BLACK
I-3	35896-2495	.040/090 F/HSG 24P	POLYESTER	GRAY
4	35896-2483	.040/090 FEMALE TPA 24P	POLYESTER	YELLOW



NOTE  
 1. MATERIAL & FINISH: SEE TABLE  
 2. APPLICATION: .040/090 MALE HOUSING ASS'Y 24P(ENG. NO.:35897-2410)

3	358962415	35896-2415
2	358962411	35896-2411
1	358962410	35896-2410
NO. MATERIAL NO.		ENG. NO.

REV	DESCRIPTION	QUALITY SYMBOLS		GENERAL TOLERANCES: (UNLESS SPECIFIED)		SCALE	DESIGN UNITS	THIRD ANGLE PROJECTION	DIMENSIONS:				
		MAJOR =	CRITICAL =	mm	INCH	2:1	<input checked="" type="checkbox"/> mm <input type="checkbox"/> INCH		<input type="checkbox"/> mm <input type="checkbox"/> INCH	<input checked="" type="checkbox"/> mm ONLY	SHT	REV	
B	RELEASE TO MANUFACTURING EC NO.: KOR2002-0139 DRWN: H.C.RHO 02/06/25 CHK: H.C.RHO 02/06/25 APPR: C.W.LEE 02/06/25			4 PLACES	±0.	±.	DRAWN BY & DATE 00/06/09 H.C.RHO	TITLE: .040/090 FEMALE HOUSING ASS'Y 24P	MATERIAL NO. SEE CHART			DRAWING NO. SD-35896-002	SHEET NO. 1 OF 1
		3 PLACES	±0.	±.	CHECKED BY & DATE 00/06/09 B.K.CHOI	MATERIAL NO. SEE CHART			DRAWING NO. SD-35896-002	SHEET NO. 1 OF 1			
		2 PLACES	±0.2	±.	APPROVED BY & DATE 00/06/09 C.W.LEE	MATERIAL NO. SEE CHART			DRAWING NO. SD-35896-002	SHEET NO. 1 OF 1			
		1 PLACE	±0.3	±.	CAD FILENAME 49FHA24	MATERIAL NO. SEE CHART			DRAWING NO. SD-35896-002	SHEET NO. 1 OF 1			
DRAFT WHERE APPLICABLE MUST REMAIN WITHIN DIMENSIONS		ANGULAR: ± 1 °		THIS DRAWING CONTAINS INFORMATION THAT IS PROPRIETARY TO MOLEX INCORPORATED AND SHOULD NOT BE USED WITHOUT WRITTEN PERMISSION.		MATERIAL NO. SEE CHART		DRAWING NO. SD-35896-002		SHEET NO. 1 OF 1		SIZE B	