

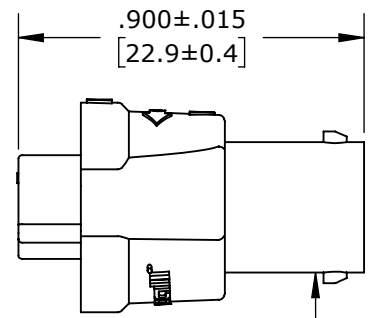
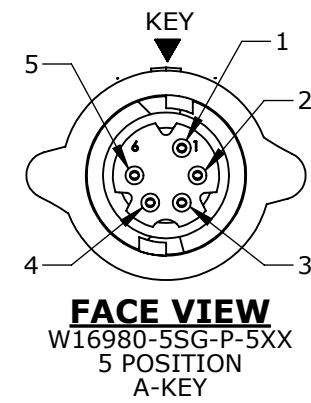
MFG. ENG. APPROVED BY: DATE: QA APPROVED BY: DATE:

ASS'Y P/N	CONTACT QTY.	CABLE O.D. RANGE
W16980-5SG-P-518	5	0.18 - 0.20 [4.6 - 5.1]
W16980-5SG-P-521	5	0.21 - 0.22 [5.3 - 5.6]
W16980-5SG-P-522	5	0.22 - 0.23 [5.6 - 5.8]
W16980-6SG-P-518	6	0.18 - 0.20 [4.6 - 5.1]
W16980-6SG-P-521	6	0.21 - 0.22 [5.3 - 5.6]
W16980-6SG-P-522	6	0.22 - 0.23 [5.6 - 5.8]
W16980-7SG-P-518	7	0.18 - 0.20 [4.6 - 5.1]
W16980-7SG-P-521	7	0.21 - 0.22 [5.3 - 5.6]
W16980-7SG-P-522	7	0.22 - 0.23 [5.6 - 5.8]
W16980-XSG-P-5XX		

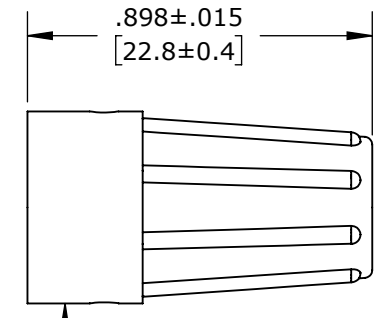
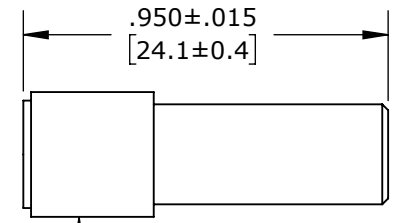
**NOTES:**

1. ALL PARTS ARE BULK PACKED.
2. REFER TO DRAWING HPMCSTD FOR CONTACT PATTERNS.
3. ALL DIMENSIONS ARE REFERENCE ONLY IN INCHES [mm], WITHIN ±0.015 UNLESS OTHERWISE NOTED.

CUSTOMER PRINT

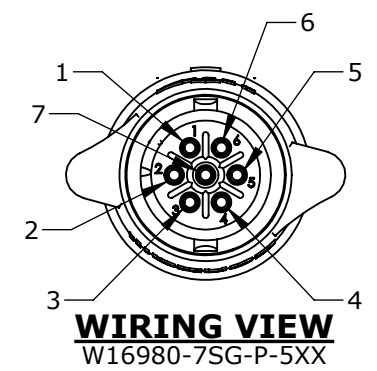
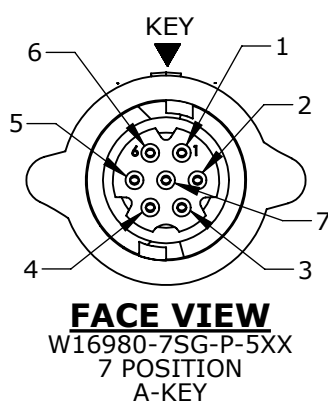
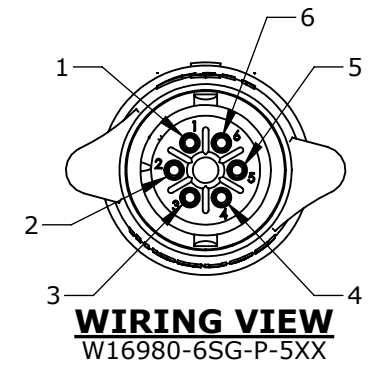
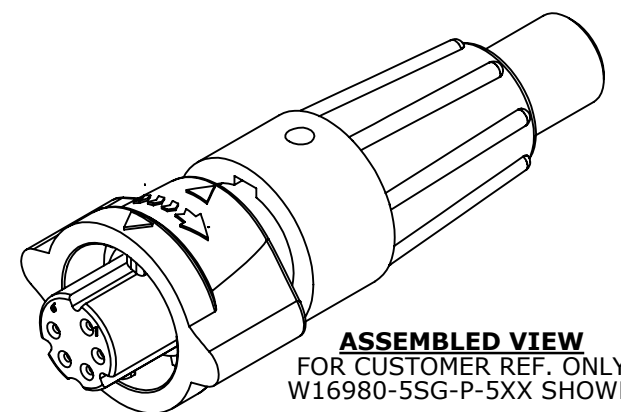
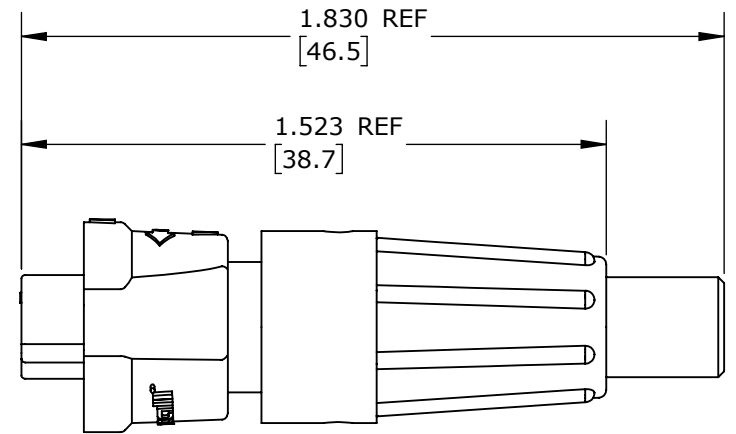
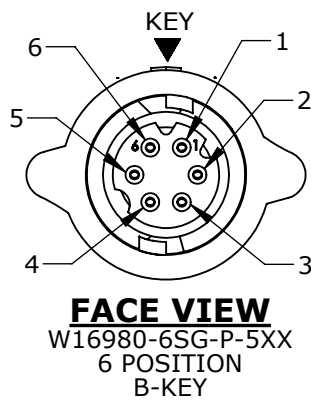
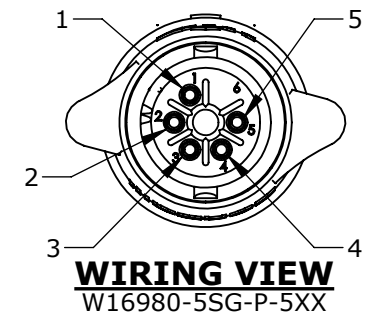


(5-7) # 26 SOCKET CONTACTS  
CRIMP TAIL  
MAT'L: GOLD PLATED, COPPER ALLOY



# OF CONTACTS

GROMMET SIZE = CABLE O.D. RANGE:  
518 = 0.18 - 0.20 [4.6 - 5.1]  
521 = 0.21 - 0.22 [5.3 - 5.6]  
522 = 0.22 - 0.23 [5.6 - 5.8]



PART NUMBER: W16980-XSG-P-5XX

**CUSTOMER APPROVAL**

THIS DOCUMENT CONTAINS CONFIDENTIAL INFORMATION PROPRIETARY TO CONXALL CORPORATION. ANY REPRODUCTION, DISCLOSURE, OR USE OF THIS DOCUMENT /INFORMATION IS EXPRESSLY PROHIBITED UNLESS AUTHORIZED IN WRITING BY CONXALL CORPORATION.

APPROVED BY: \_\_\_\_\_  
DATE: \_\_\_\_\_

**RoHS COMPLIANT**

0A	JGK	9/09/19	DRAWING CREATED FOR PDR #18004.	
REV.	INIT.	DATE	DESCRIPTION	
	JGK	9/09/19	ALL INFORMATION ILLUSTRATED IS THE PROPERTY OF "CONXALL CORPORATION". UNAUTHORIZED DUPLICATION OR DISTRIBUTION OF THIS DOCUMENT IS PROHIBITED.	
			601 E. WILDWOOD VILLA PARK, IL 60181	
			TITLE: CABLE-END ASSEMBLY 5-7 #26 SOCKET CONTACTS, CRIMP INSTA-CLICK, MICRO-CON-X STANDARD PRODUCT	
			CUSTOMER:	
			PART NUMBER: W16980-XSG-P-5XX	
			REV 0A	

**PRELIMINARY**

DIMENSIONS IS BRACKETS [ ] ARE METRIC